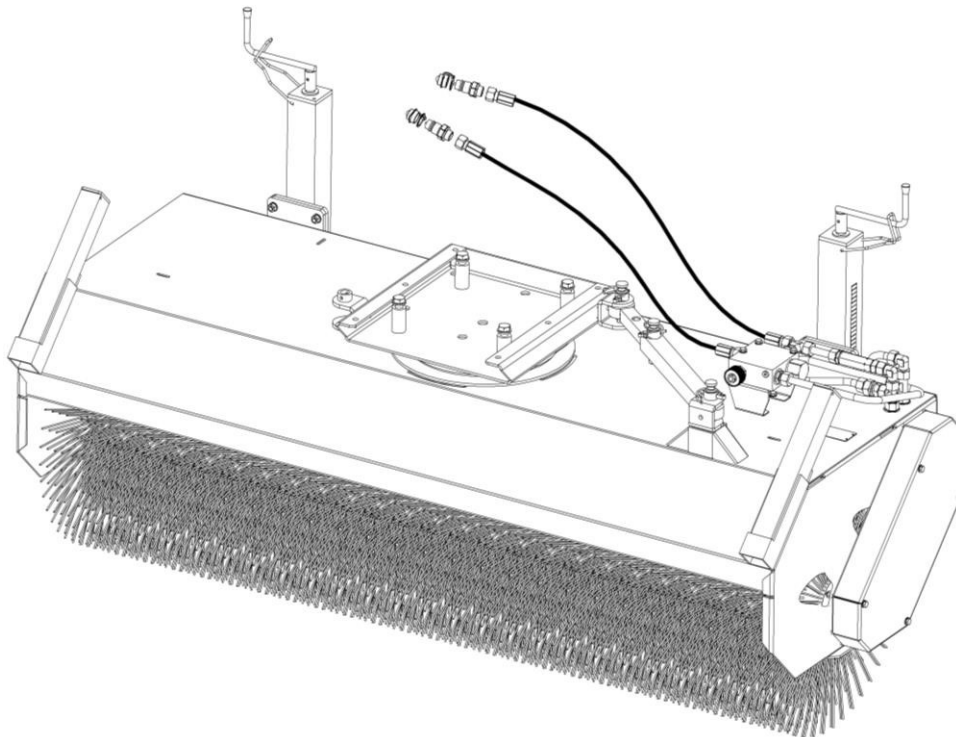




Spare parts lists

KM 60 series

**KM 19060 H; KM 22560 H
KM 25060 H; KM 27060 H**



Order number: E00043 from machine no.: Rev.: R02 Stand: ab 08.2017



Manufactured by
Kersten Arealmaschinen GmbH
Empeler Straße 95
D - 46459 Rees
www.kersten-maschinen.de

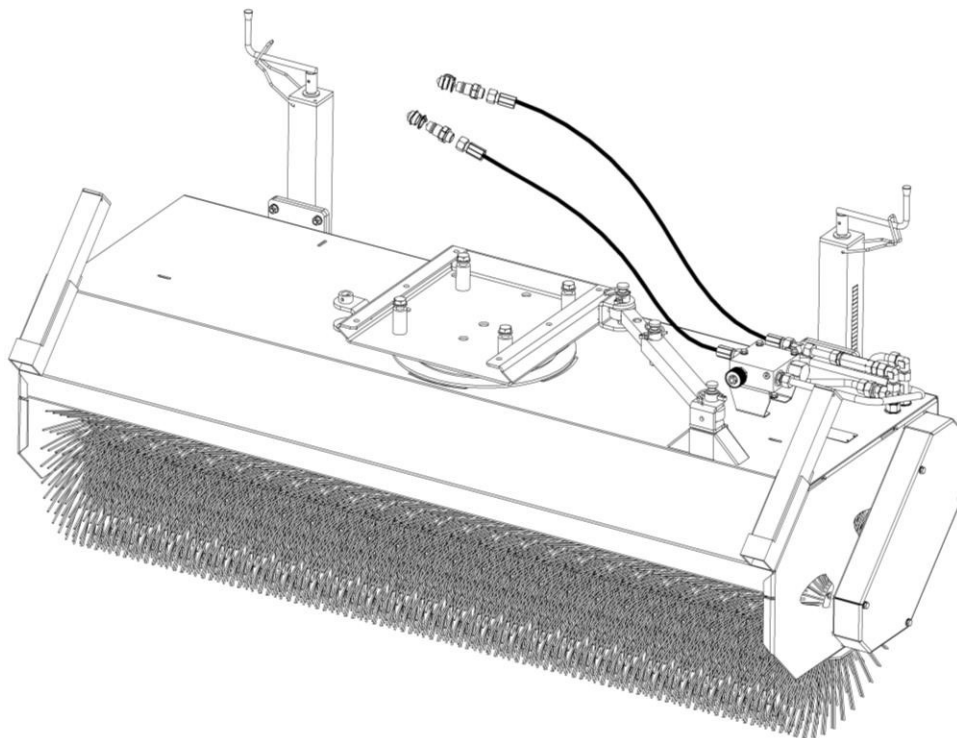


Distributed in UK by
Kersten (UK) Ltd Tel. 0118 986 9253
Progres House
39 Boulton Road Reading, RG2 0NH
www.kerstenuk.com - info@kerstenuk.com

Table of Contents

1	MODEL OVERVIEW	3
1.1	KM 19060 H - C02346 R00.....	3
1.2	KM 22560 H - C02347 R00.....	3
1.3	KM 25060 H - C02348 R00.....	3
1.4	KM 27060 H - C02349 R00.....	3
2	ASSEMBLY OVERVIEW	4
2.1	BASIC UNIT	4
2.1.1	<i>KM 19060 H - C02350 R01</i>	<i>5</i>
2.1.2	<i>KM 22560 H - C02351 R01</i>	<i>6</i>
2.1.3	<i>KM 25060 H - C02352 R01</i>	<i>7</i>
2.1.4	<i>KM 27060 H - C02353 R01</i>	<i>8</i>
2.2	ABR 60 WITH HEIGHT COMPENSATION -C02390 R01	9
3	ACCESSORIES FOR SWEEPING MACHINE	10
3.1	DIRT MIXER WITH HYDRAULIC DRAINING	10
3.1.1	<i>SSB 19060 H - hydraulic container drain - C02989 R01</i>	<i>11</i>
3.1.2	<i>SSB 22560 H - hydraulic container drain - C03148 R01</i>	<i>12</i>
3.1.3	<i>SSB 25060 H - hydraulic container drain - C03149 R01</i>	<i>13</i>
3.1.4	<i>SSB 27060 H - hydraulic container drain - C03150 R01</i>	<i>14</i>
3.2	SPRAY PROTECTION	15
3.2.1	<i>SPL 19060 - splash guard 190 cm - C02337 R00</i>	<i>15</i>
3.2.2	<i>SPL 22560 - splash guard 225 cm - C02338 R00</i>	<i>16</i>
3.2.3	<i>SPL 25060 - splash guard 250 cm - C02339 R00.....</i>	<i>16</i>
3.2.4	<i>SPL 27060 - splash guard 270 cm - C02340 R00</i>	<i>16</i>
3.3	HSZ-180 HYDRAULIC SWIVELING DEVICE -C02341 R00	17
3.4	LR-SSB-KM 60 HEAVY LOAD, FRONT - C02388 R00.....	18
3.5	ASH 7060-MOUNTING SIDE BEARING, RIGHT 70 CM BROOM Ø - C02345 R00. 19	
3.5.1	<i>ASH 7060, right 70 cm broom Ø, hydraulic connections - C03343 R00.....</i>	<i>21</i>
3.6	ASH 7060 – MOUNTING SIDE BESTS, LEFT 70 CM BROOM Ø - C03361 R00	23
3.6.1	<i>ASH 7060, left 70 cm broom Ø, hydraulic connections - C03362 R00.....</i>	<i>25</i>
4	ROLLERS 60 CM ROLLING DIAMETER	26

1 Model Overview



1.1 KM 19060 H - C02346 R00

No.	Art.-No.	Num.	Designation
1	C02350 R01	1	Basic unit KM 19060 H

1.2 KM 22560 H - C02347 R00

No.	Art.-No.	Num.	Designation
1	C02351 R01	1	Basic unit KM 22560 H

1.3 KM 25060 H - C02348 R00

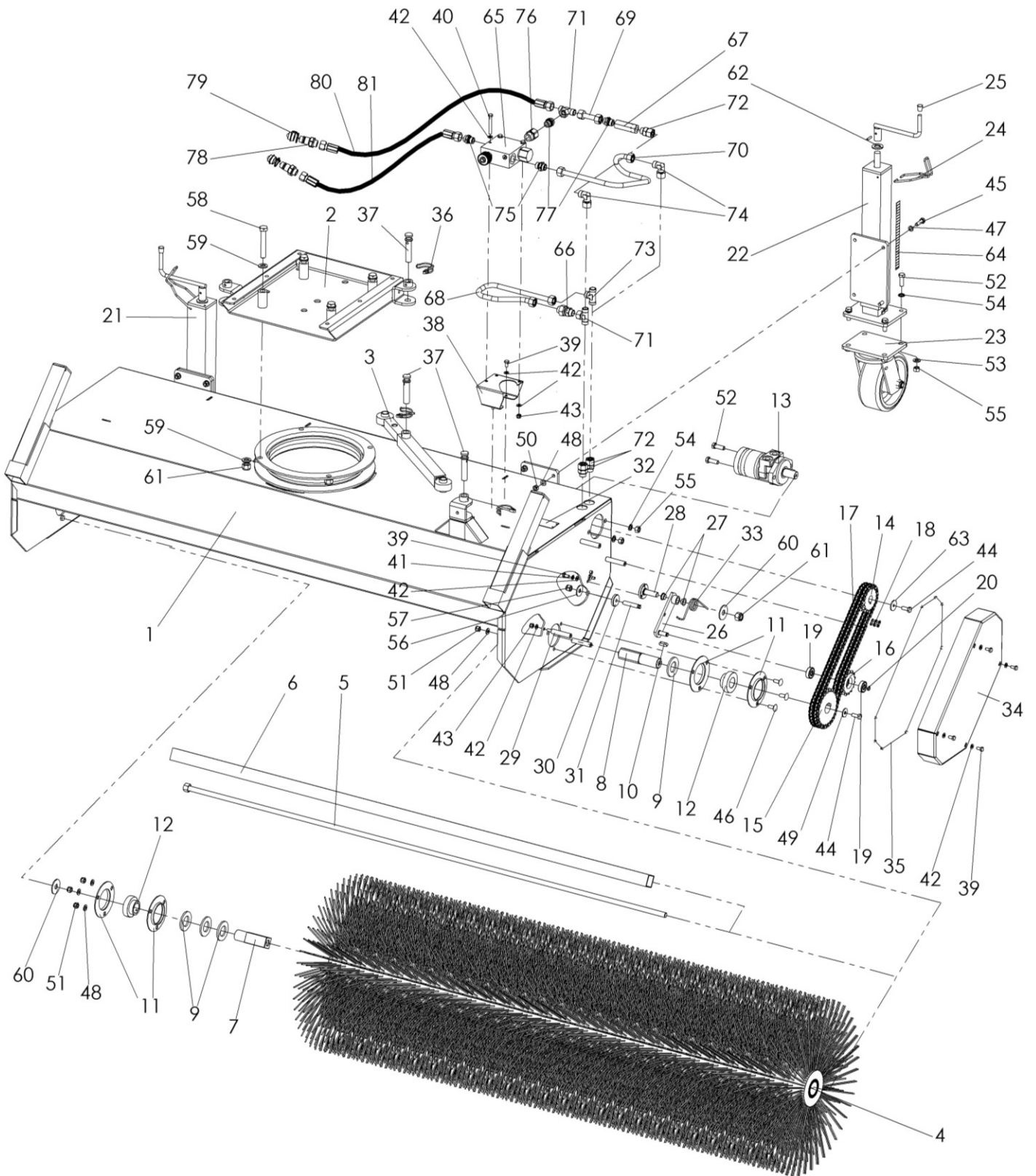
No.	Art.-No.	Num.	Designation
1	C02352 R01	1	Basic unit KM 25060 H

1.4 KM 27060 H - C02349 R00

No.	Art.-No.	Num.	Designation
1	C02353 R01	1	Basic unit KM 27060 H

2 Overview of Modules

2.1 Basic unit



2.1.1 KM 19060 H - C02350 R01

No.	Art.-No.	Num.	Designation	No.	Art.-No.	Num.	Designation
1	C03248	1	Headers	42	905 108 000	19	Washer
2	C02975	1	Mounting frame turntable mech. Pivot means	43	900 008 002	7	Stoppmutter
				44	901 010 025	2	Skt.-screw without shank Skt.-screw without shank
3	C03039	1	Combination broom tension rod	45	901 010 035	8	carriage bolt spring washer
5	190 000 355	1	Drive stub, re.	46	901 910 025	3	Washer
6	190 000 360	1	Drive stub left	47	905 010 000	8	K-disc
7	130 000 351	1	Washer	48	905 110 000	14	Hexagon nut
8	130 000 346	1	Adjusting spring	49	905 210 000	1	Stoppmutter
9	705 631 305	4	Bearing cups - set	50	900 010 001	8	Skt.-screw without shank
10	908 010 830	1	ball-bearing	51	900 010 002	6	Washer
11	924 200 207	4	hydraulic motor	52	901 012 035	10	spring washer Hexagon nut
12	924 100 207	2	Sprocket				
13	935 343 195	1	Sprocket	53	905 112 000	8	K-disc
14	C02653	1	Sprocket for tensioner	54	905 012 000	10	Stoppmutter
15	C02652	1	drive chain	55	900 012 001	10	Skt. Screw with shank
16	C02590	1	chain lock ball-bearing	56	905 212 001	1	Washer
				57	900 012 002	1	K-disc
17	C02875	1	Circlip outside	58	901 116 100	4	Stoppmutter Washer
18	920 304 000.1	1	Wheel holder, right				
19	924 106 301	2	Wheel holder, left	59	905 116 000	8	disc
20	905 900 111	1	castor	60	905 217 000	2	Sticker Scala
21	950 050 072	1	retaining clip	61	900 016 002	5	Flow control valve
22	950 050 072	1	protective cap	62	905 120 000	2	check valve
23	926 300 301	2	clamping lever	63	705 360 803	1	check valve
24	942 003 002	2	bearings	64	950 900 021	2	hydraulic line
25	942 003 003	2	swivel axis	65	936 202 009	1	hydraulic line
26	C02581	1	spacers	66	931 231 500	1	hydraulic line
27	915 161 809	2	locknut	67	931 010 005	1	Hydr. gland
28	C02578	1	Stop bolts for tension levers	68	C02874	1	Hydr. gland
29	C02584	4	nameplate	69	C02983	1	Hydr. gland
30	C02644	1	Leg spring left	70	C02954	1	Hydr. gland
31	C02640	1	chain guard edge protection	71	931 051 500	2	Hydr. gland
				72	931 031 512	3	Hydr. gland
32	on demand	1	Pipe lynch pin	73	931 191 515	1	Hydr. gland
33	C03154	1	Top link pin	74	931 061 500	2	hydraulic connector
34	C02585	1	Valve mounting plate	75	931 071 534	2	Hydraulic protective cap
35	C03240	1	Skt.-screw without shank	76	931 134 012	1	Hydraulic hose dependent on tractor
36	907 155 000	3	Skt. Screw with shank	77	931 071 512	2	hydraulic hose
37	750 000 028	3	spring washer	78	932 215 019	2	tug dependent
38	C02680	1	Headers	79	932 391 032	2	Washer Stoppmutter
				39	901 008 016	9	Mounting frame turntable mech. Pivot means
40	901 008 065	3	Combination broom tension rod	80	930...	1	Skt.-screw without shank Skt.-screw without shank
41	905 008 000	3	drive tube	81	930...	1	carriage bolt

2.1.2 KM 22560 H - C02351 R01

No.	Art.-No.	Num.	Designation	No.	Art.-No.	Num.	Designation
1	C03250	1	Headers	42	905 108 000	19	Washer
2	C02975	1	Mounting frame turntable mech. Pivot means	43	900 008 002	7	Stopmmutter
3	C03039	1	Combination broom tension rod	44	901 010 025	2	Skt.-screw without shank Skt.-screw without shank
4	s. Kp. Kehrw.	1	drive tube	45	901 010 035	8	carriage bolt spring washer
5	225 000 435	1	Drive stub, re.	46	901 910 025	3	Washer
6	225 000 440	1	Drive stub left	47	905 010 000	8	K-disc
7	130 000 351	1	Washer	48	905 110 000	14	Hexagon nut
8	130 000 346	1	Adjusting spring	49	905 210 000	1	Stopmmutter
9	705 631 305	4	Bearing cups - set	50	900 010 001	8	Skt.-screw without
10	908 010 830	1	ball-bearing	51	900 010 002	6	shaft
11	924 200 207	4	hydraulic motor	52	901 012 035	10	Washer spring washer
12	924 100 207	2	Sprocket Sprocket	53	905 112 000	8	Hexagon nut K-disc
13	935 343 195	1	Sprocket for tensioner drive chain	54	905 012 000	10	Stopmmutter Skt.-screw with
14	C02653	1	chain lock ball-bearing	55	900 012 001	10	shaft Washer
15	C02652	1	Circlip outside Wheel holder, right	56	905 212 001	1	K-disc Stopmmutter
16	C02590	1	Wheel holder, left castor	57	900 012 002	1	Washer
17	C02875	1	retaining clip	58	901 116 100	4	disc Sticker Scala
18	920 304 000.1	1	protective cap clamping lever	59	905 116 000	8	Flow control valve check valve
19	924 106 301	2	bearings swivel axis	60	905 217 000	2	check valve hydraulic line
20	905 900 111	1	spacers locknut	61	900 016 002	5	hydraulic line hydraulic line
21	950 050 072	1	Stop bolts for tension levers nameplate	62	905 120 000	2	Hydr. gland Hydr. gland
22	950 050 072	1	Leg spring left chain guard	63	705 360 803	1	Hydr. gland Hydr. gland
23	926 300 301	2	edge protection Pipe lynch pin	64	950 900 021	2	Hydr. gland
24	942 003 002	2	Top link pin Valve mounting plate	65	936 202 009	1	Washer Stopmmutter
25	942 003 003	2	Skt.-screw without shank Skt.-screw with	66	931 231 500	1	Skt.-screw without shank Skt.-screw without shank
26	C02581	1	shaft	67	931 010 005	1	carriage bolt spring washer
27	915 161 809	2	Headers Mounting frame turntable	68	C02874	1	Washer K-disc
28	C02578	1	mech. Pivot means Combination broom	69	C02983	1	Hexagon nut Stopmmutter
29	C02584	4	tension rod drive tube	70	C02954	1	Skt.-screw without shaft
30	C02644	1	Drive stub, re. Drive stub left	71	931 051 500	2	Washer spring washer
31	C02640	1	Washer Adjusting spring	72	931 031 512	3	Hexagon nut
32	on demand	1	Bearing cups - set	73	931 191 515	1	K-disc
33	C03154	1	ball-bearing	74	931 061 500	2	Stopmmutter
34	C02585	1	hydraulic motor	75	931 071 534	2	Skt.-screw with

35	C03240	1	Sprocket	76	931 134 012	1	shaft
36	907 155 000	3	Sprocket	77	931 071 512	2	Hydr.-Verschraubung
37	750 000 028	3	Sprocket for tensioner	78	932 115 000	2	Hydraulikstecker
38	C02680	1	drive chain	79	932 391 032	2	Hydraulik Schutzkappe
39	901 008 016	9	chain lock ball-bearing				
40	901 008 065	3	Circlip outside Wheel holder, right	80	930...	1	Hydraulikschlauch schlepperabhängig
41	905 008 000	3	Wheel holder, left	81	930...	1	Hydraulikschlauch schlepperabhängig

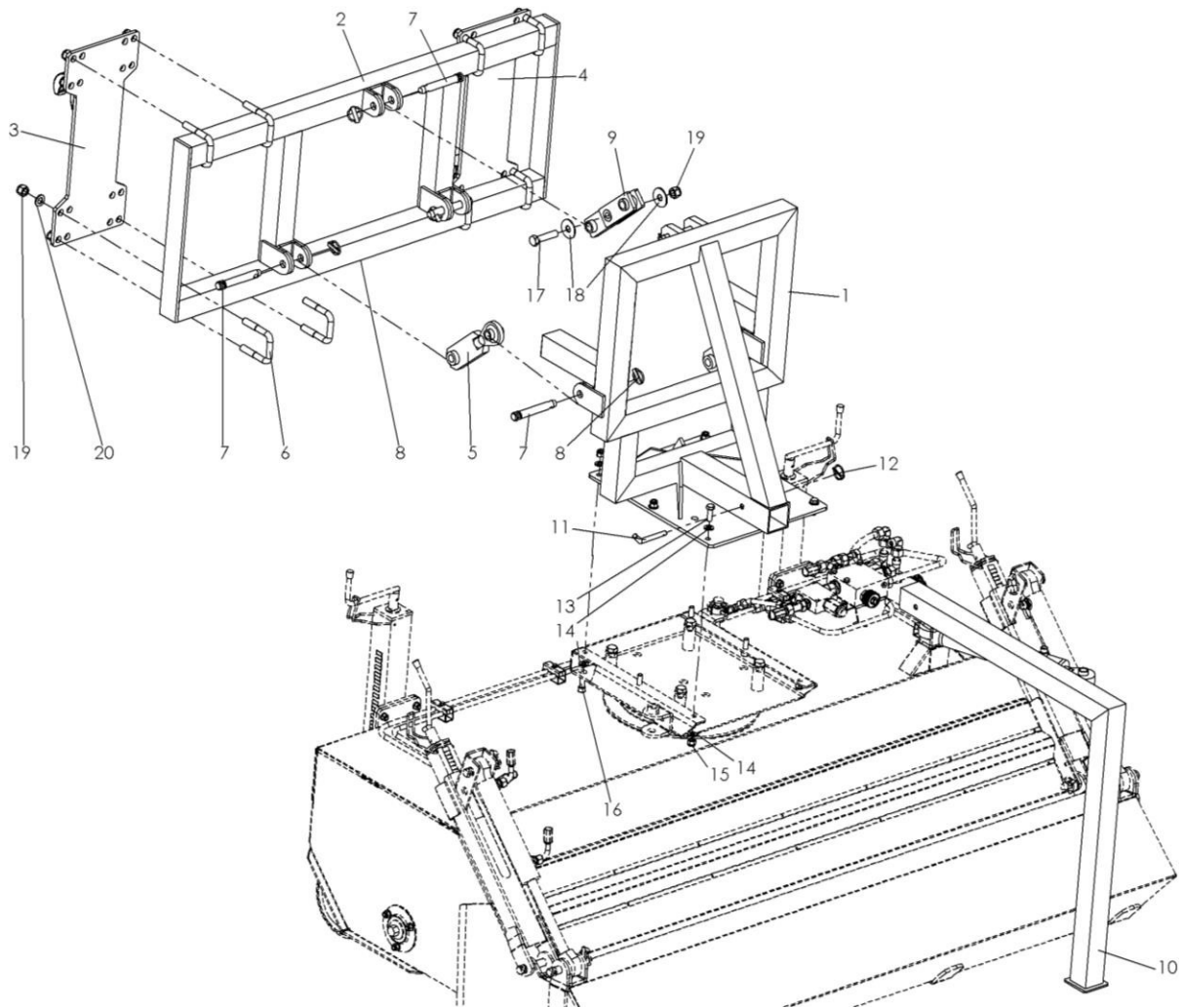
2.1.3 KM 25060 H - C02352 R01

No.	Art.-No.	Num.	Designation	No.	Art.-No.	Num.	Designation
1	C03251	1	Grundgehäuse	42	905 108 000	19	U-Scheibe
2	C02975	1	Anbaurahmen Drehkranz	43	900 008 002	7	Stoppmutter
3	C03039	1	mech. Schwenkeinrichtung	44	901 010 025	2	Skt.-Schraube ohne Schaft
4	s. Kp. Kehrwl.	1	Kombikehrwalze	45	901 010 035	8	Skt.-Schraube ohne Schaft
5	250 000 355	1	Spannstange	46	901 910 025	3	Schlossschraube
6	250 000 360	1	Antriebsrohr	47	905 010 000	8	Federring
7	130 000 351	1	Antriebsstummel, re.	48	905 110 000	14	U-Scheibe
8	130 000 346	1	Antriebsstummel links	49	905 210 000	1	K-Scheibe
9	705 631 305	4	U-Scheibe	50	900 010 001	8	Skt.-Mutter
10	908 010 830	1	Passfeder	51	900 010 002	6	Stoppmutter
11	924 200 207	4	Lagerschalen - Satz	52	901 012 035	10	Skt.-Schraube ohne Schaft
12	924 100 207	2	Kugellager	53	905 112 000	8	U-Scheibe
13	935 343 195	1	Hydraulikmotor	54	905 012 000	10	Federring
14	C02653	1	Kettenrad	55	900 012 001	10	Skt.-Mutter
15	C02652	1	Kettenrad	56	905 212 001	1	K-Scheibe
16	C02590	1	Kettenrad für Spannrolle	57	900 012 002	1	Stoppmutter
17	C02875	1	Antriebskette	58	901 116 100	4	Skt.-Schraube mit Schaft
18	920 304 000.1	1	Kettenschloss	59	905 116 000	8	U-Scheibe
19	924 106 301	2	Kugellager	60	905 217 000	2	K-Scheibe
20	905 900 111	1	Sicherungsring außen	61	900 016 002	5	Stoppmutter
21	950 050 072	1	Radhalter, rechts	62	905 120 000	2	U-Scheibe
22	950 050 072	1	Radhalter, links	63	705 360 803	1	Scheibe
23	926 300 301	2	Lenkrolle	64	950 900 021	2	Aufkleber Scala
24	942 003 002	2	Halteklammer	65	936 202 009	1	Stromregelventil
25	942 003 003	2	Schutzkappe	66	931 231 500	1	Rückschlagventil
26	C02581	1	Spannhebel	67	931 010 005	1	Rückschlagventil
27	915 161 809	2	Gleitlager	68	C02874	1	Hydraulikleitung
28	C02578	1	Schwenkachse	69	C02983	1	Hydraulikleitung
29	C02584	4	Distanzhülsen	70	C02954	1	Hydraulikleitung
30	C02644	1	Kontermutter	71	931 051 500	2	Hydr.-Verschraubung
31	C02640	1	Anschlagbolzen für Spannhebel	72	931 031 512	3	Hydr.-Verschraubung
32	auf Anfrage	1	Typenschild	73	931 191 515	1	Hydr.-Verschraubung
33	C03154	1	Schenkelfeder links	74	931 061 500	2	Hydr.-Verschraubung
34	C02585	1	Kettenschutz	75	931 071 534	2	Hydr.-Verschraubung
35	C03240	1	Kantenschutz	76	931 134 012	1	Hydr.-Verschraubung
36	907 155 000	3	Rohrklappstecker	77	931 071 512	2	Hydr.-Verschraubung
37	750 000 028	3	Oberlenkerbolzen	78	932 115 000	2	Hydraulikstecker
38	C02680	1	Ventilanbauplatte	79	932 391 032	2	Hydraulik Schutzkappe
39	901 008 016	9	Skt.-Schraube ohne Schaft	80	930...	1	Hydraulikschlauch schlepperabhängig
40	901 008 065	3	Skt.-Schraube mit Schaft	81	930...	1	Hydraulikschlauch schlepperabhängig
41	905 008 000	3	Federring				

2.1.4 KM 27060 H - C02353 R01

No.	Art.-No.	Num.	Designation	No.	Art.-No.	Num.	Designation
1	C03252	1	Headers	42	905 108 000	19	Washer
2	C02975	1	Mounting frame turntable	43	900 008 002	7	Stoppmutter
3	C03039	1	mech. Pivot means	44	901 010 025	2	Skt.-screw without shank
4	s. Kp. Kehrw.	1	Combination broom	45	901 010 035	8	Skt.-screw without
5	270 000 355	1	tension rod	46	901 910 025	3	shaft
6	270 000 360	1	drive tube	47	905 010 000	8	carriage bolt
7	130 000 351	1	Drive stub, re.	48	905 110 000	14	spring washer
8	130 000 346	1	Drive stub left	49	905 210 000	1	Washer
9	705 631 305	4	Washer	50	900 010 001	8	K-disc
10	908 010 830	1	Adjusting spring	51	900 010 002	6	Hexagon nut
11	924 200 207	4	Bearing cups - set	52	901 012 035	10	Stoppmutter
12	924 100 207	2	ball-bearing	53	905 112 000	8	Skt.-screw without shank
13	935 343 195	1	hydraulic motor	54	905 012 000	10	Washer
14	C02653	1	Sprocket	55	900 012 001	10	spring washer
15	C02652	1	Sprocket	56	905 212 001	1	Hexagon nut
16	C02590	1	Sprocket for tensioner	57	900 012 002	1	K-disc
17	C02875	1	drive chain	58	901 116 100	4	Stoppmutter
18	920 304 000.1	1	chain lock	59	905 116 000	8	Skt. Screw with shank
19	924 106 301	2	ball-bearing	60	905 217 000	2	Washer
20	905 900 111	1	Circlip outside	61	900 016 002	5	K-disc
21	950 050 072	1	Wheel holder, right	62	905 120 000	2	Stoppmutter
22	950 050 072	1	Wheel holder, left	63	705 360 803	1	Washer
23	926 300 301	2	castor	64	950 900 021	2	disc
24	942 003 002	2	retaining clip	65	936 202 009	1	Sticker Scala
25	942 003 003	2	protective cap	66	931 231 500	1	Flow control valve
26	C02581	1	clamping lever	67	931 010 005	1	check valve
27	915 161 809	2	bearings	68	C02874	1	check valve
28	C02578	1	swivel axis	69	C02983	1	hydraulic line
29	C02584	4	spacers	70	C02954	1	hydraulic line
30	C02644	1	locknut	71	931 051 500	2	hydraulic line
31	C02640	1	Stop bolts for tension levers	72	931 031 512	3	Hydr. gland
32	On demand	1	nameplate	73	931 191 515	1	Hydr. gland
33	C03154	1	Leg spring left	74	931 061 500	2	Hydr. gland
34	C02585	1	chain guard	75	931 071 534	2	Hydr. gland
35	C03240	1	edge protection	76	931 134 012	1	Hydr. gland
36	907 155 000	3	Pipe linch pin	77	931 071 512	2	Hydr. gland
37	750 000 028	3	Top link pin	78	932 115 000	2	Hydr. gland
38	C02680	1	Valve mounting plate	79	932 391 032	2	hydraulic connector
39	901 008 016	9	Skt.-screw without shank	80	930...	1	Hydraulic protective cap
40	901 008 065	3	Skt. Screw with shank	81	930...	1	Hydraulic hose dependent on tractor
41	905 008 000	3	spring washer				

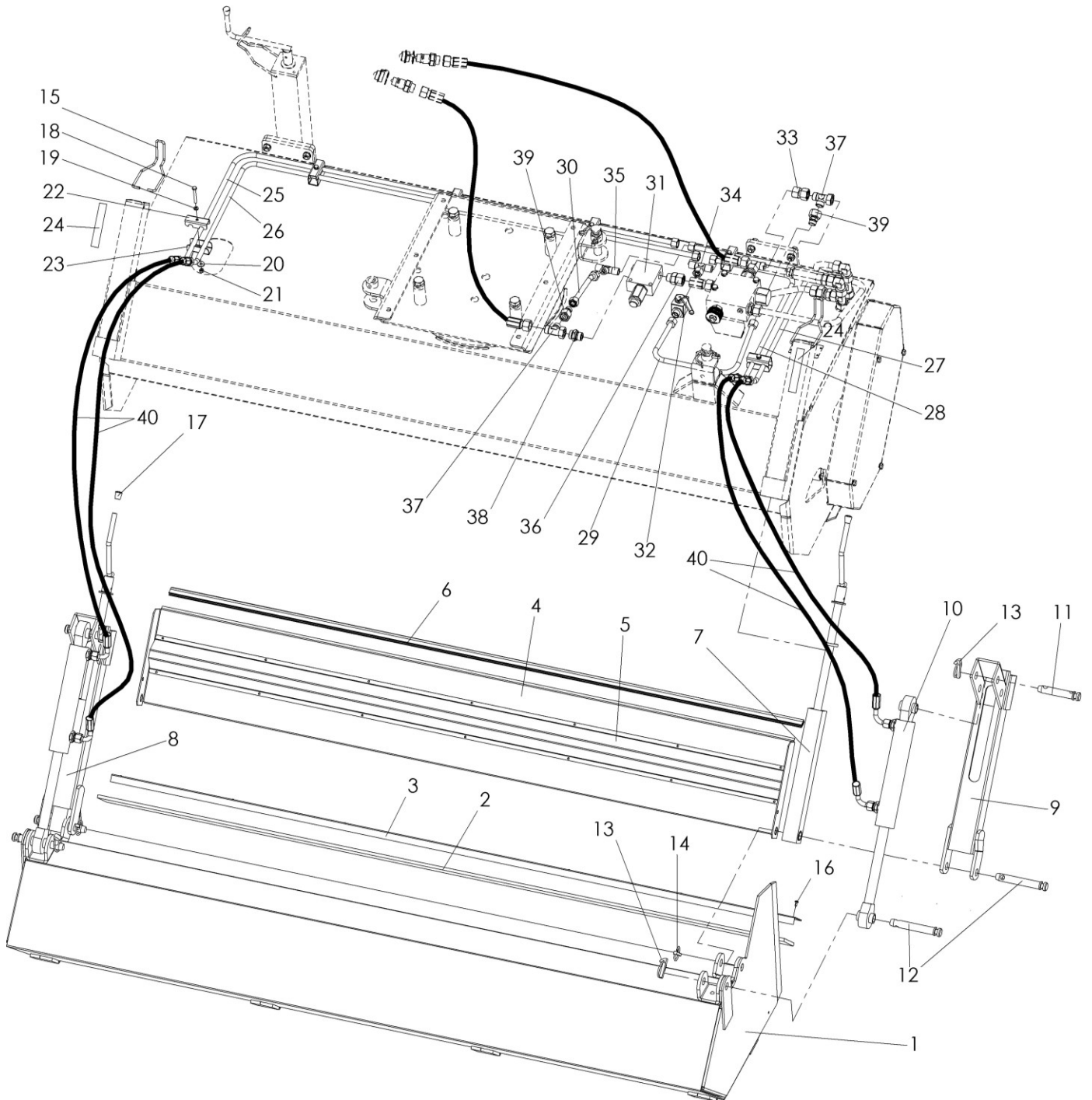
2.2 ABR 60 with height compensation - C02390 R01



No.	Art.-No.	Num.	Designation
1	C03139	1	Mounting frame for height compensation
2	C04036	1	Universal frame complete
3	On demand	1	Screw plate right
4	On demand	1	Screw plate left
5	C02391	2	pendulum
6	901 516 560	8	U-bolt
7	907 400 074	6	Top link pin
8	907 110 000	6	linch pin
9	C02967	1	Articulated complete
10	C01009	1	Parking support (version with container)
11	155 000 013	1	mounting lever
12	907 145 000	1	linch pin
13	901 012 035	2	Skt.-screw without shank
14	905 112 000	12	Washer
15	900 012 002	6	Stoppmutter
16	908 812 035	4	Cylinder head screw with inner. Skt
17	901 016 070	1	Skt.-screw without shank
18	905 217 000	2	K-disc
19	900 016 002	17	Stoppmutter
20	905 116 000	16	Washer

3 Accessories for sweeper

3.1 Dirt collecting container with hydraulic emptying



3.1.1 SSB 19060 H - hydraulic container emptying - C02989 R01

No.	Art.-No.	Num.	Designation
1	190 000 009	1	Clippings
2	221 000 004	1	Rubber splash flap
3	190 000 005	1	Angle rail
4	C00320	1	Splash guard HFKM
5	C02009	1	Reinforcement profile
6	C02014	1	Seal rubber
7	942 521 001	2	Support foot
8	C03575	1	Holder hydr. Container emptying on the right
9	C03576	1	Holder hydr. Container emptying on the left
10	933 101 180	2	Hydraulic cylinders
11	907 400 073	2	Top link bolt short
12	907 400 074	4	Top link pin
13	907 111 000	4	Linch pin
14	907 108 000	2	Linch pin
15	942 003 002	2	Retaining clip
16	902 642 013	7	Tapping screw
17	942 003 003	2	Protective cap
18	901 006 050	6	Skt.-screw without shank
19	905 106 000	6	Washer
20	905 206 018	6	K-disc
21	900 006 001	6	Hexagon nut
22	110 371 053	6	Conductor holder lower part
23	110 371 054	6	Conductor holder upper part
24	700 000 151	2	Sticker height scale
25	C02290	1	Hydraulic line
26	C02291	1	Hydraulic line
27	C02292	1	Hydraulic line
28	C02293	1	Hydraulic line
29	C02882	1	Hydraulic line
30	C02953	1	Hydraulic line
31	936 203 060	1	Pressure sequence valve
32	931 141 202	1	Stopcock
33	931 015 015	1	Hydraulic connection
34	931 051 200	1	Hydraulic connection
35	931 191 212	1	Hydraulic connection
36	931 031 512	1	Hydraulic connection
37	931 041 500	2	Hydraulic connection
38	931 071 512	1	Hydraulic connection
39	931 101 512	2	Reducing
40	930 000 012	4	Hydraulic hose

3.1.2 SSB 22560 H – Hydraulic container emptying - C03148 R01

No.	Art.-No.	Num.	Designation
1	221 000 003	1	Clippings
2	221 000 004	1	Rubber splash flap
3	225 000 005	1	Angle rail
4	225 000 002	1	Splash guard HFKM
5	C02010	1	Reinforcement profile
6	C02301	1	Seal rubber
7	C02872	2	Height adjustment
8	C03575	1	Holder hydr. Container terentl. right
9	C03576	1	Holder hydr. Container terentl. right
10	933 101 180	2	Hydraulic cylinders
11	907 400 073	2	Top link bolt short
12	907 400 074	4	Top link pin
13	907 111 000	4	Linch pin
14	907 108 000	2	Linch pin
15	942 003 002	2	Retaining clip
16	902 642 013	7	Tapping screw
17	942 003 003	2	Protective cap
18	901 006 050	6	Skt.-screw without shank
19	905 106 000	6	Washer
20	905 206 018	6	K-disc
21	900 006 001	6	Hexagon nut
22	110 371 053	6	Conductor holder lower part
23	110 371 054	6	Conductor holder upper part
24	950 900 021	2	Sticker height scale
25	C02294	1	Hydraulic line
26	C02295	1	Hydraulic line
27	C02292	1	Hydraulic line
28	C02293	1	Hydraulic line
29	C02882	1	Hydraulic line
30	C02953	1	Hydraulic line
31	936 203 060	1	Pressure sequence valve
32	931 141 202	1	Stopcock
33	931 015 015	1	Hydraulikverschraubung
34	931 051 200	1	Hydraulikverschraubung
35	931 191 212	1	Hydraulikverschraubung
36	931 031 512	1	Hydraulikverschraubung
37	931 041 500	2	Hydraulikverschraubung
38	931 071 512	1	Hydraulikverschraubung
39	931 101 512	2	Reducing
40	930 270 001	4	Hydraulic hose

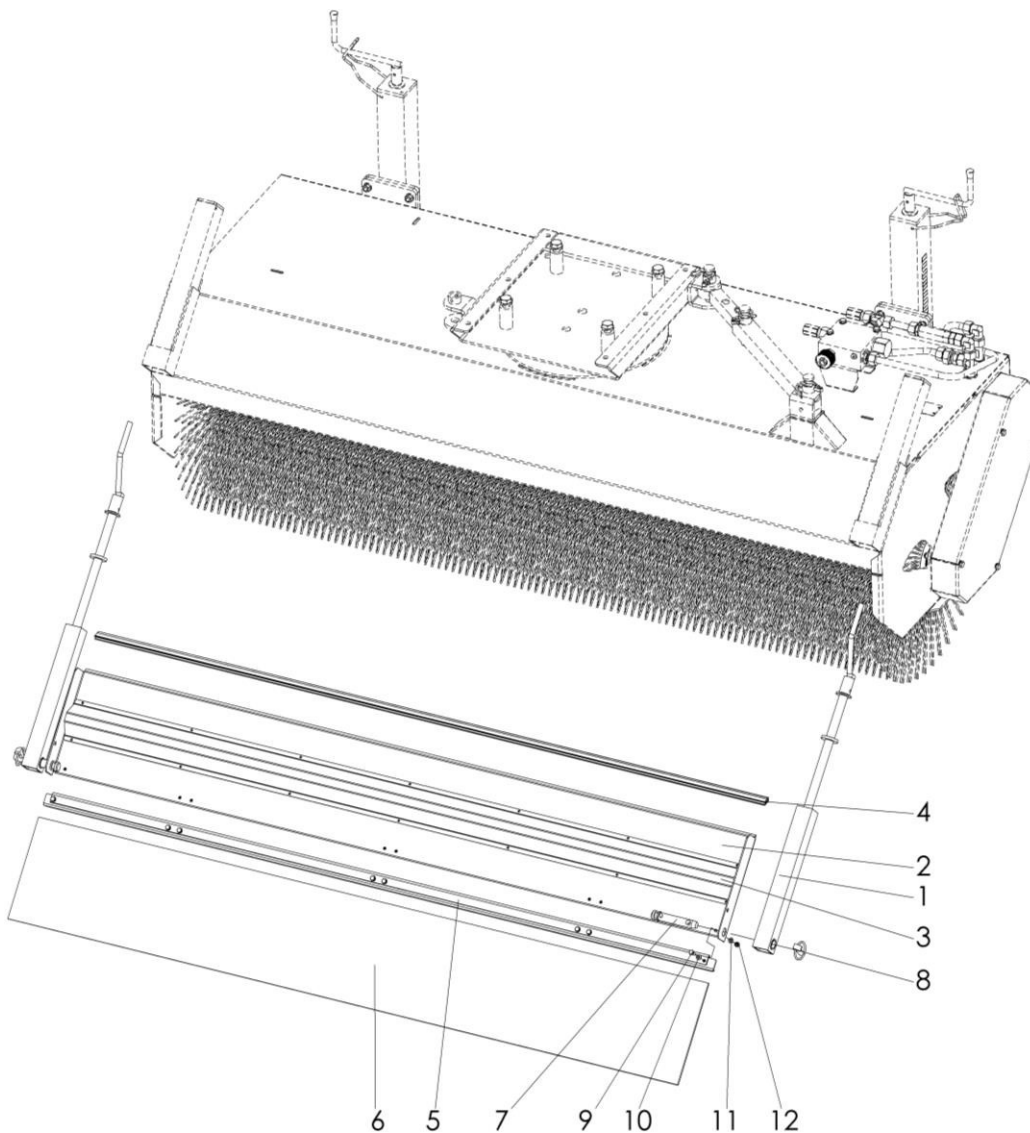
3.1.3 SSB 25060 H – hydraulic container emptying - C03149 R01

No.	Art.-No.	Num.	Designation
1	248 000 002	1	Clippings
2	250 000 585	1	Rubber splash flap
3	250 000 005	1	angle rail
4	C00319	1	Splash guard HFKM
5	C02004	1	Reinforcement profile
6	C02304	1	Seal rubber
7	C02872	2	Height adjustment
8	C03575	1	Holder hydr. Behälterentl. right
9	C03576	1	Holder hydr. Behälterentl. Left
10	933 101 180	2	Hydraulic cylinders
11	907 400 073	2	Top link bolt short
2	907 400 074	4	Top link pin
13	907 111 000	4	Linch pin
14	907 108 000	2	Linch pin
15	942 003 002	2	Retaining clip
16	902 642 013	7	Tapping screw
17	942 003 003	2	Protective cap
18	901 006 050	6	Skt.-screw without shank
19	905 106 000	6	Washer
20	905 206 018	6	K-disc
21	900 006 001	6	Hexagon nut
22	110 371 053	6	Conductor holder lower part
23	110 371 054	6	Conductor holder upper part
24	950 900 021	2	Sticker scale
25	C02298	1	Hydraulic line
26	C02299	1	Hydraulic line
27	C02292	1	Hydraulic line
28	C02293	1	Hydraulic line
29	C02882	1	Hydraulic line
30	C02953	1	Hydraulic line
31	936 203 060	1	Pressure sequence valve
32	931 141 202	1	Stopcock
33	931 015 015	1	Hydraulic fitting
34	931 051 200	1	Hydraulic fitting
35	931 191 212	1	Hydraulic fitting
36	931 031 512	1	Hydraulic fitting
37	931 041 500	2	Hydraulic fitting
38	931 071 512	1	Hydraulic fitting
39	931 101 512	2	Reducing screw connection
40	930 270 001	4	Hydraulic hose

3.1.4 SSB 27060 H - hydr. Container emptying - C03150 R01

No.	Art.-No.	Num.	Designation
1	270 000 003	1	Clippings
2	270 000 585	1	Rubber splash flap
3	270 000 005	1	Angle rail
4	C00318	1	Splash guard HFKM
5	C02003	1	Reinforcement profile
6	C02305	1	Seal rubber
7	C02872	2	Height adjustment
8	C03575	1	Holder hydr. Behälterentl. right
9	C03576	1	Holder hydr. Behälterentl. Left
10	933 101 180	2	Hydraulic cylinders
11	907 400 073	2	Top link bolt short
12	907 400 074	4	Top link pin
13	907 111 000	4	Linch pin
14	907 108 000	2	Linch pin
15	942 003 002	2	Retaining clip
16	902 642 013	7	Tapping screw
17	942 003 003	2	Protective cap
18	901 006 050	6	Skt.-screw without shank
19	905 106 000	6	Washer
20	905 206 018	6	K-disc
21	900 006 001	6	Hexagon nut
22	110 371 053	6	Conductor holder lower part
23	110 371 054	6	Conductor holder upper part
24	950 900 021	2	Sticker scale
25	C02302	1	Hydraulic line
26	C02303	1	Hydraulic line
27	C02292	1	Hydraulic line
28	C02293	1	Hydraulic line
29	C02882	1	Hydraulic line
30	C02953	1	Hydraulic line
31	936 203 060	1	Pressure sequence valve
32	931 141 202	1	Stopcock
33	931 015 015	1	Hydraulic fitting
34	931 051 200	1	Hydraulic fitting
35	931 191 212	1	Hydraulic fitting
36	931 031 512	1	Hydraulic fitting
37	931 041 500	2	Hydraulic fitting
38	931 071 512	1	Hydraulic fitting
39	931 101 512	2	Reducing screw connection
40	930 270 001	4	Hydraulic hose

3.2 Splash



3.2.1 SPL 19060 - splash guard 190 cm - C02337 R00

No.	Art.-No.	Num.	Designation
1	942 521 001	2	Support foot P 521
2	C00320	1	Splash guard HFKM
3	C02009	1	Reinforcement profile
4	C02014	1	Seal rubber
5	C02048	1	Retaining rail rubber splash guard
6	190 000 585	1	Rubber splash flap
7	907 400 073	2	Top link bolt short
8	907 111 000	2	Linch pin
9	901 006 020	8	Skt.-screw without shank
10	905 106 000	8	Washer
11	905 006 000	8	Spring washer
12	900 006 001	8	Hexagon nut

3.2.2 SPL 22560 - splash guard 225 cm - C02338 R00

No.	Art.-No.	Num.	Designation
1	942 521 001	2	Support foot P 521
2	225 000 002	1	Splash guard HFKM
3	C02010	1	Reinforcement profile
4	C02301	1	Seal rubber
5	C02296	1	Retaining rail rubber splash guard
6	225 000 585	1	Rubber splash flap
7	907 400 073	2	Top link bolt short
8	907 111 000	2	Linch pin
9	901 006 020	8	Skt.-screw without shank
10	905 106 000	8	Washer
11	905 006 000	8	Spring washer
12	900 006 001	8	Hexagon nut

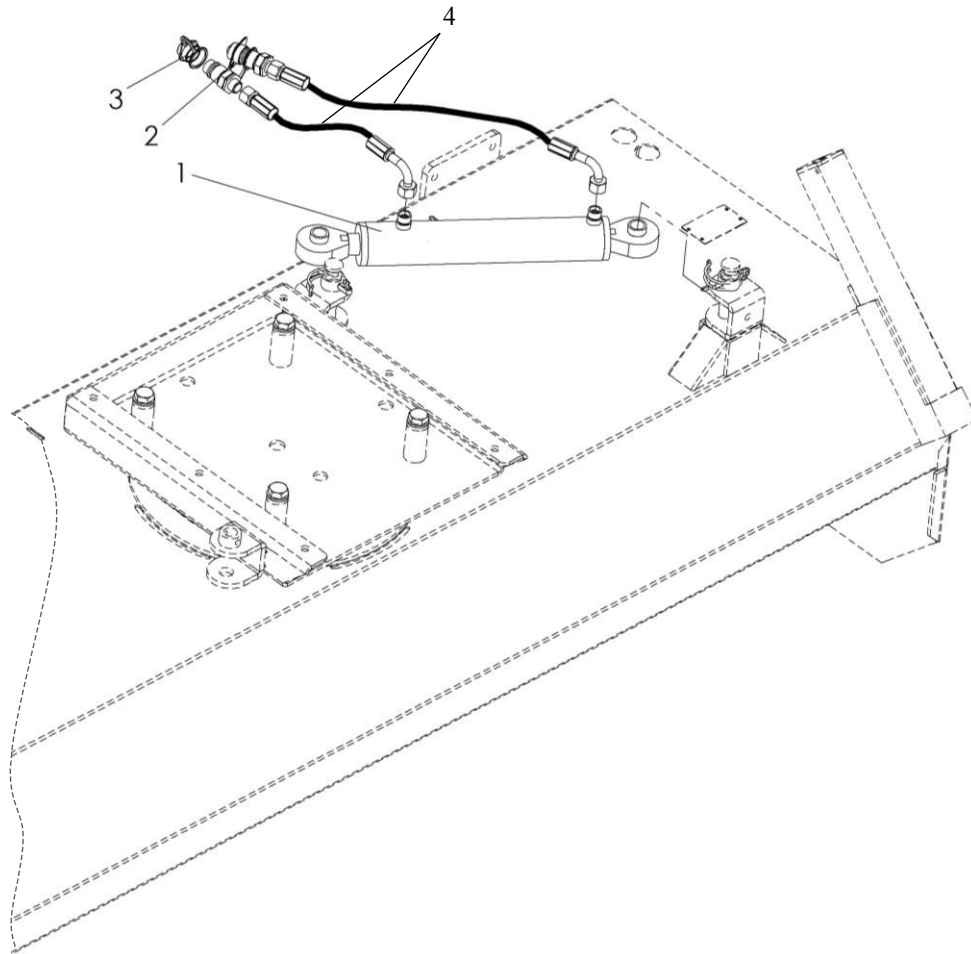
3.2.3 SPL 25060 - splash guard 250 cm - C02339 R00

No.	Art.-No.	Num.	Designation
1	942 521 001	2	Support foot P 521
2	C00319	1	Splash guard HFKM
3	C02004	1	Reinforcement profile
4	C02304	1	Seal rubber
5	C02297	1	Retaining rail rubber splash guard
6	250 000 585	1	Rubber splash flap
7	907 400 073	2	Top link bolt short
8	907 111 000	2	Linch pin
9	901 006 020	8	Skt.-screw without shank
10	905 106 000	8	Washer
11	905 006 000	8	Spring washer
12	900 006 001	8	Hexagon nut

3.2.4 SPL 27060 - splash guard 270cm - C02340 R00

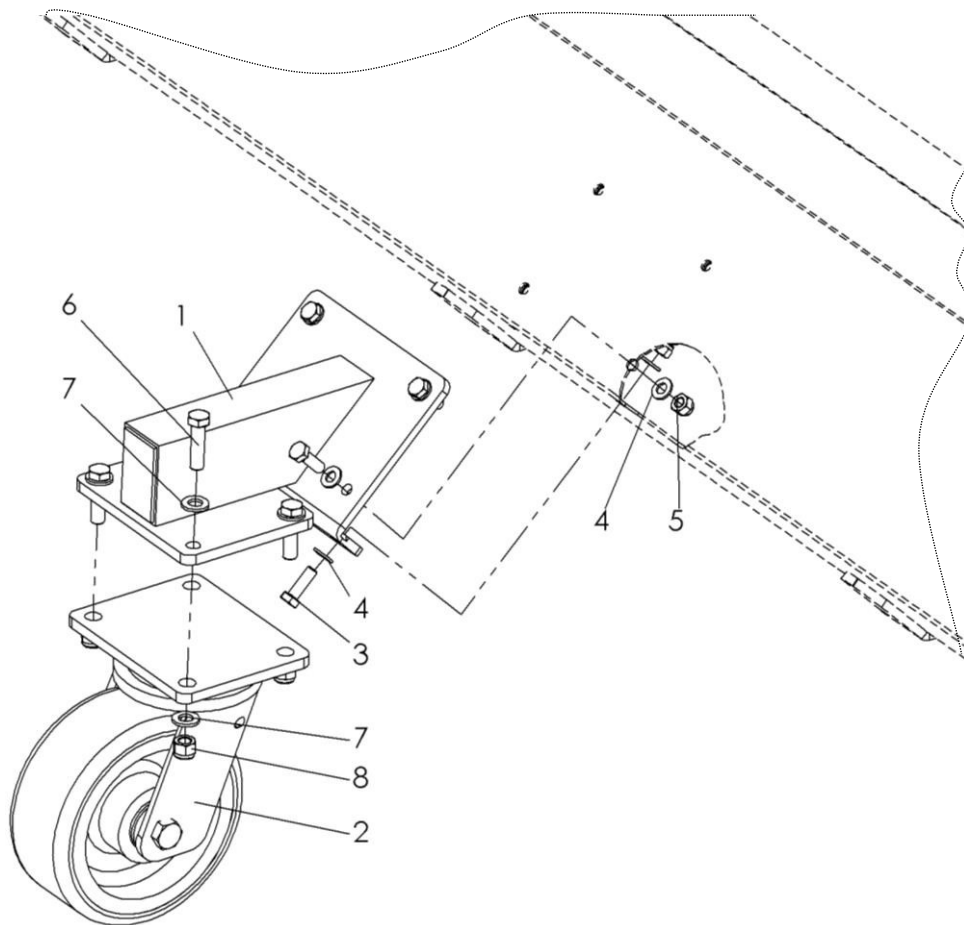
No.	Art.-No.	Num.	Designation
1	942 521 001	2	Support foot P 521
2	C00318	1	Splash guard HFKM
3	C02003	1	Reinforcement profile
4	C02305	1	Seal rubber
5	C02300	1	Retaining rail rubber splash guard
6	270 000 585	1	Rubber splash flap
7	907 400 073	2	Top link bolt short
8	907 111 000	2	Linch pin
9	901 006 020	8	Skt.-screw without shank
10	905 106 000	8	Washer
11	905 006 000	8	Spring washer
12	900 006 001	8	Hexagon nut

3.3 HSZ-180 Hydraulic pivoting device - C02341 R00



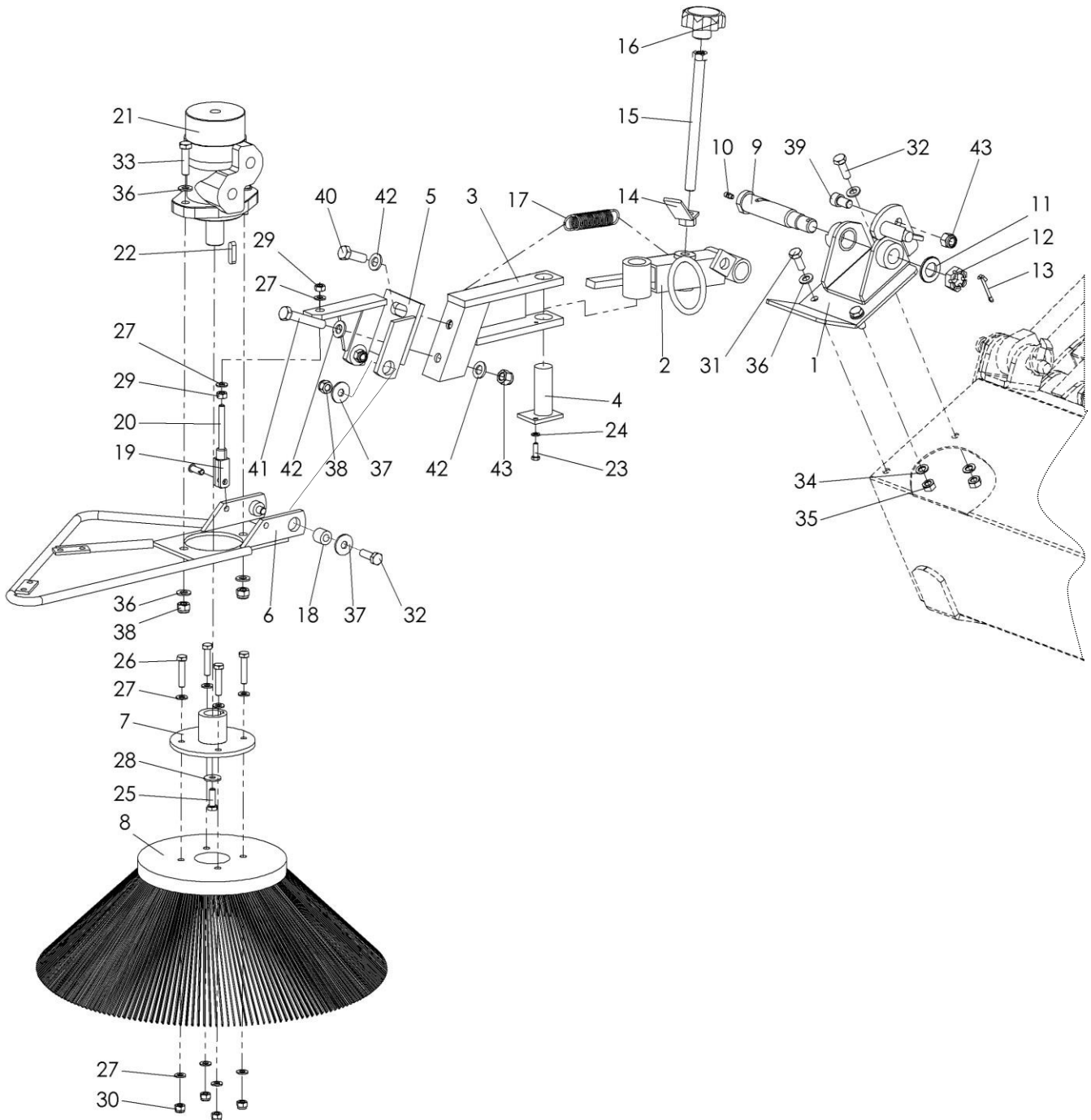
No.	Art.-No.	Num.	Designation
1	C02985	1	Hydraulic cylinders
2	932 ...	2	Hydraulic plug, tractor dependent
3	932 ...	2	Dust cap, tug dependent,
4	930 ...	2	Hydraulic hose, tractor dependent

3.4 LR-SSB-KM 60 Heavy duty impeller, front - C02388 R00



No.	Art.-No.	Num.	Designation
1	C03016	1	Wheel holder
2	926 300 300	1	Wheel
3	901 010 030	6	Skt.-screw without shank
4	905 110 000	12	Washer
5	900 010 002	6	Stoppmutter
6	901 012 045	4	Skt.-screw without shank
7	905 112 000	8	Washer
8	900 012 002	4	Stop mother

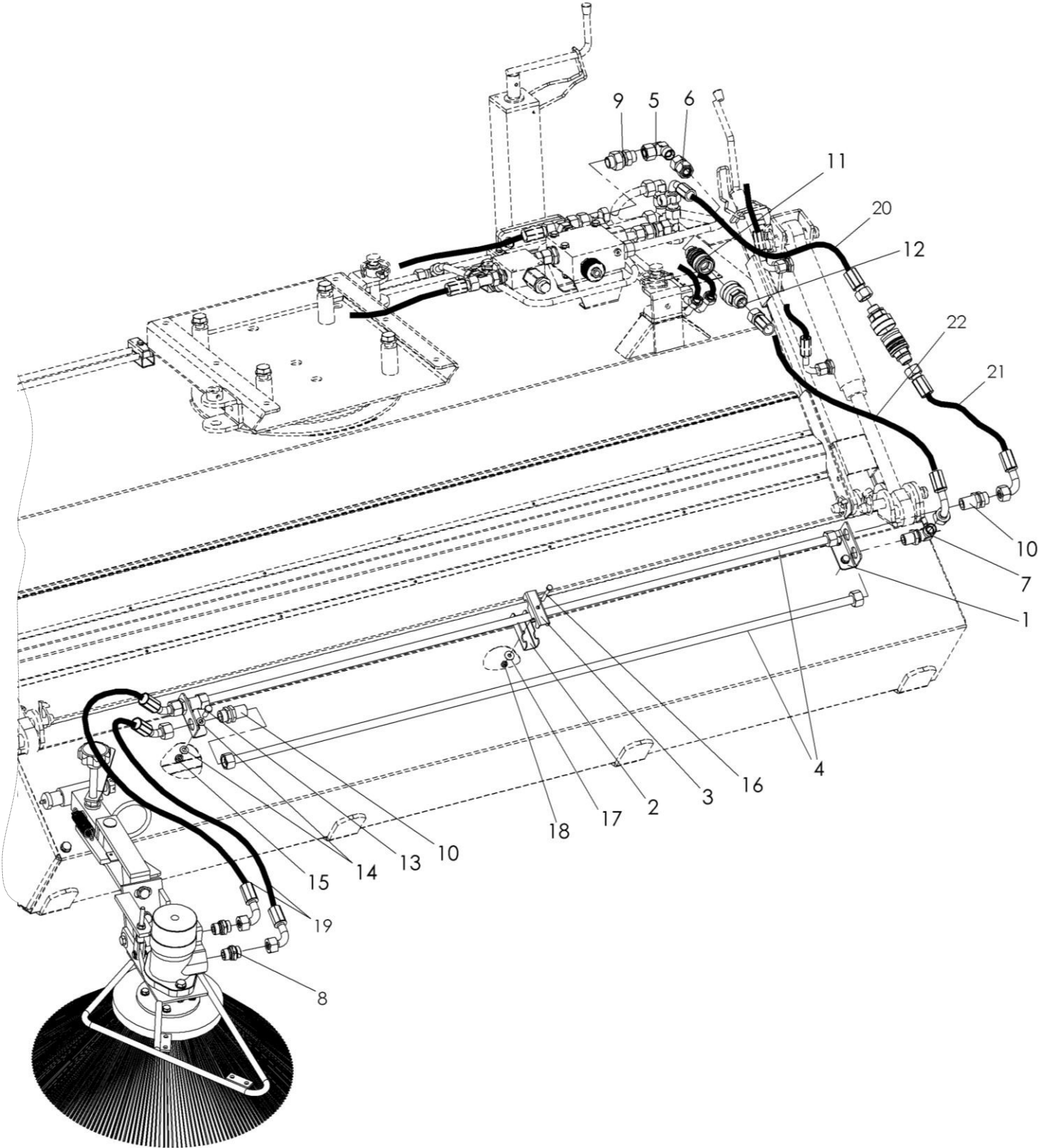
3.5 ASH 7060 – Mounted side brush, right 70 cm broom Ø - C02345 R00



ASH 7060 - Mounted side brush, right 70 cm broom diameter - C02345 R00

No.	Art.-No.	Num.	Designation
1	155 000 024.01	1	Connection plate, right
2	130 000 761	1	Middle section, right
3	130 200 746	1	Sidebar arm, right
4	130 100 746	1	Armholder
5	130 300 746	1	Side brush angle
6	130 400 746	1	Side cupholders
7	221 000 076	1	Side flange
8	2100 750	1	Side broom hard
9	903 220 015	1	Bundschraube
10	910 006 000	1	Grease nipple
11	905 120 000	1	Washer
12	900 020 012	1	Castellated nut
13	907 225 020	1	Cotter
14	155 000 027	1	Rotary lever for spindle
15	155 000 023	1	Spindle for height adjustment
16	941 410 031	1	Handwheel
17	909 200 155	1	Mainspring
18	705 200 517	2	Shell
19	908 408 032	1	Yoke
20	221 000 074	1	Threaded rod
21	935 102 400	1	Hydraulic motor
22	908 008 732	1	Adjusting spring
23	901 006 020	1	Skt.-screw without shank
24	905 006 000	1	Spring washer
25	901 008 025	1	Skt.-screw without shank
26	901 008 040	4	Skt. Screw with shank
27	905 108 000	10	Washer
28	905 208 025	1	K-disc
29	900 008 001	2	Hexagon nut
30	900 008 002	4	Stoppmutter
31	901 010 025	2	Skt.-screw without shank
32	901 010 030	3	Skt.-screw without shank
33	901 010 040	2	Skt.-screw without shank
34	905 010 000	3	Spring washer
35	900 010 001	3	Hexagon nut
36	905 110 000	7	Washer
37	905 210 000	4	K-disc
38	900 010 002	4	Stop mother
39	901 812 020	1	Cylinder head screw with inner. Skt
40	901 012 035	1	Skt.-screw without shank
41	901 112 070	1	Skt. Screw with shank
42	905 112 000	3	Washer
43	900 012 002	2	Stop mother

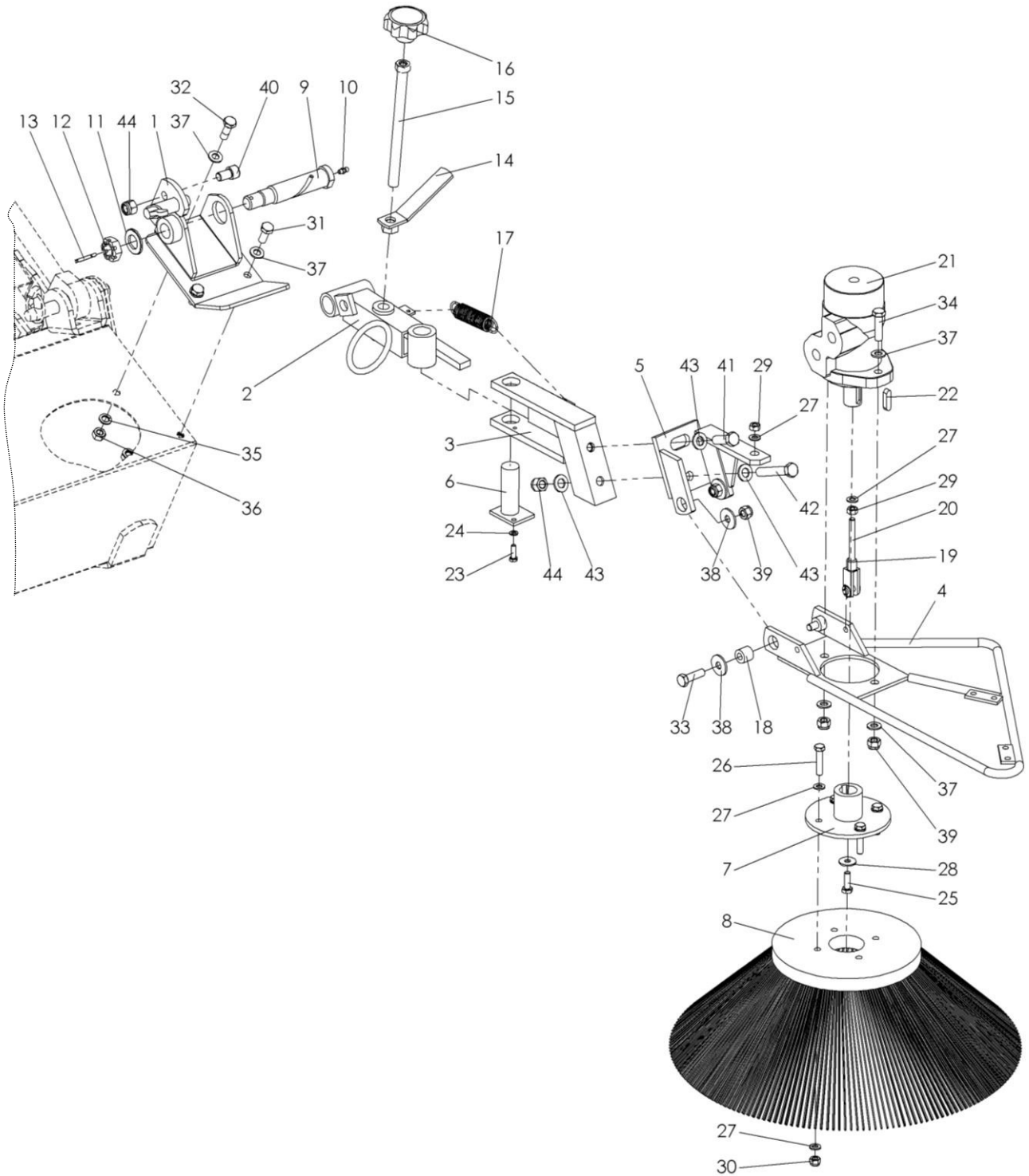
3.5.1 ASH 7060, right 70 cm broom Ø, hydraulic connections - C03343 R00



ASH 7060, right 70 cm broom Ø, hydraulic connections - C03343 R00

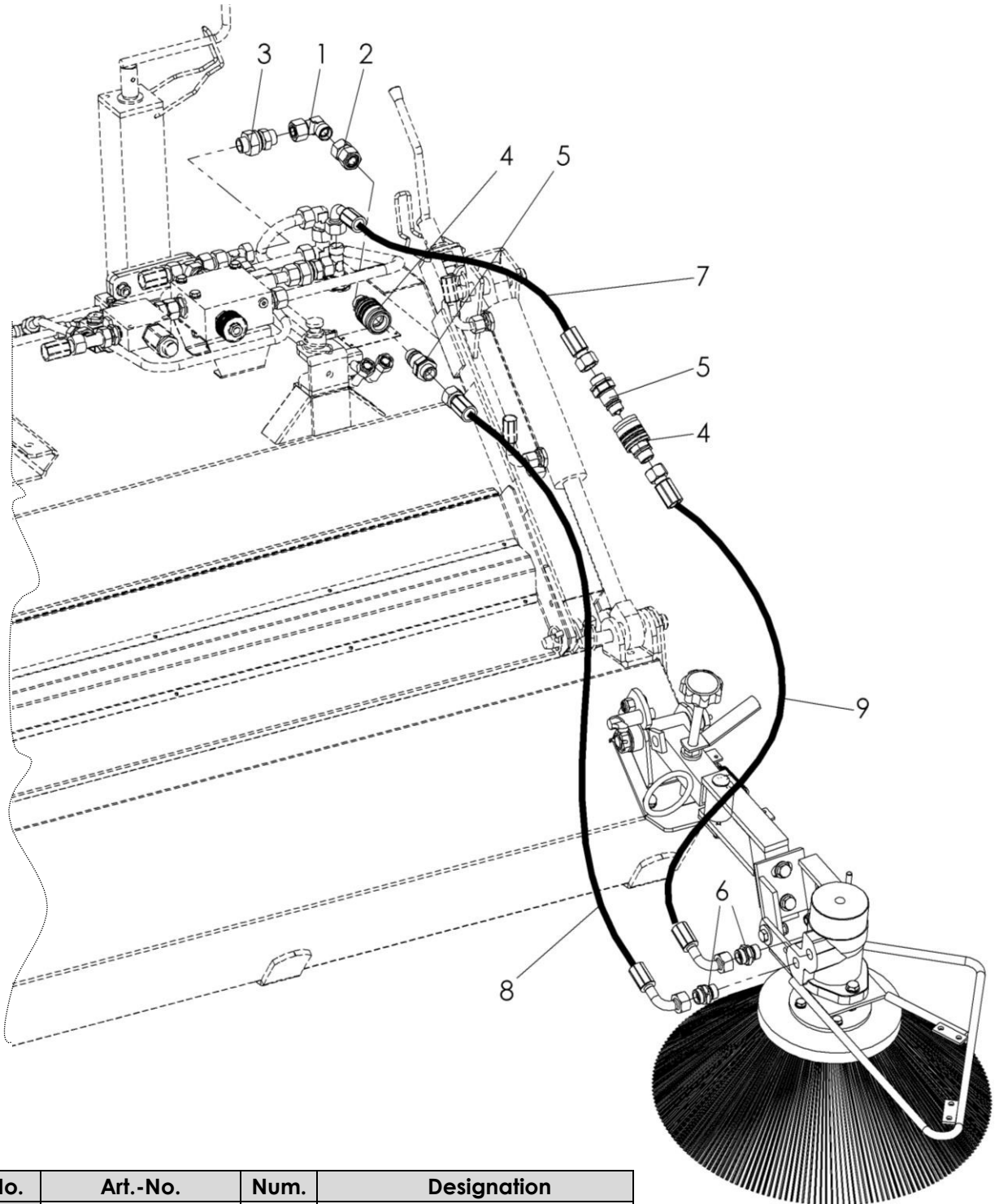
No.	Art.-No.	Num.	Designation
1	C03289	2	Coupling support
2	C03290	1	Conductor holder upper part
3	C03291	1	Conductor holder lower part
4	C03331	2	Hydraulic line
5	931 061 500	1	Hydraulic fitting
6	931 015 015	1	Hydraulic fitting
7	931 061 015	2	Hydraulic fitting
8	931 071 512	2	Hydraulic fitting
9	931 231 500	1	Check valve
10	931 181 500	3	Bulkhead
11	932 312 022	2	Hydraulic sleeve
12	932 115 000	2	Hydraulic connector
13	901 008 025	4	Skt.-screw without shank
14	905 108 000	8	Washer
15	900 008 002	4	Stop mother
16	901 006 050	1	Skt.-screw without shank
17	905 206 025	1	K-disc
18	900 006 002	2	Stop mother
19	930 270 004	2	hydraulic hose
20	930 270 005	1	hydraulic hose
21	930 270 006	1	hydraulic hose
22	930 270 007	1	hydraulic hose

3.6 ASH 7060 – Mounted side brush, left 70 cm brush Ø - C03361 R00






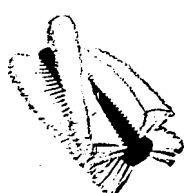
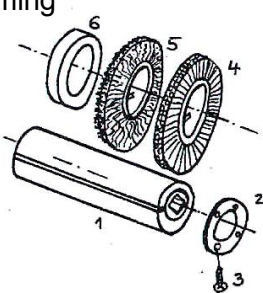
No.	Art.-No.	Num.	Designation
1	C03353	1	Connection plate, left
2	C03345	1	Middle section, left
3	C03346	1	Sidebar arm, left
4	C03344	1	Side brush holder, left
5	C03335	1	Side brush angle, left
6	C03355	1	Bolster, left
7	221 000 076	1	Side brush flange
8	2100 750	1	Side broom Ø70 hard
9	903 220 015	1	Bundschraube
10	910 006 000	1	Grease nipple
11	905 120 000	1	Washer
12	900 020 012	1	Castellated nut
13	907 225 020	1	Cotter
14	155 000 027	1	Rotary lever for spindle
15	155 000 023	1	Spindle for height adjustment
16	941 410 031	1	Handwheel
17	909 200 155	1	Mainspring
18	705 200 517	2	Shell
19	908 408 032	1	Yoke
20	221 000 074	1	Threaded rod
21	935 102 400	1	Hydraulic motor
22	908 008 732	1	Adjusting spring
23	901 006 020	1	Skt.-screw without shank
24	905 006 000	1	Spring washer
25	901 008 025	1	Skt.-screw without shank
26	901 008 040	4	Skt. Screw with shank
27	905 108 000	10	Washer
28	905 208 025	1	K-disc
29	900 008 001	2	Hexagon nut
30	900 008 002	4	Stoppmutter
31	901 010 025	2	Skt.-screw without shank
32	901 010 030	1	Skt.-screw without shank
33	901 010 035	2	Skt.-screw without shank
34	901 010 040	2	Skt.-screw without shank
35	905 010 000	3	Spring washer
36	900 010 001	3	Hexagon nut
37	905 110 000	7	Washer
38	905 210 000	4	K-disc
39	900 010 002	4	Stop mother
40	901 812 020	1	Cylinder head screw with inner. Skt
41	901 012 035	1	Skt.-screw without shank
42	901 112 070	1	Skt. Screw with shank
43	905 112 000	3	Washer
44	900 012 002	2	Stop mother

3.6.1 ASH 7060, Left 70 cm broom Ø, hydraulic connections - C03362 R00



No.	Art.-No.	Num.	Designation
1	931 061 500	1	Hydraulic connection
2	931 015 015	1	Hydraulic connection
3	931 231 500	1	Check valve
4	932 312 022	2	Hydraulic sleeve
5	932 115 000	2	Hydraulic connector
6	931 071 512	2	Hydraulic connection
7	930 270 005	1	Hydraulic line
8	930 270 008	1	Hydraulic line
9	930 270 009	1	Hydraulic line

4 Sweeping rollers 60 cm roller diameter

	190 cm Working width	225 cm Working width	250 cm Working width	270 cm Working width
Dirt roller with Poly-full-trim 	190 016 060	225 016 060	250 016 060	270 016 060
Dirt broom Polycorrugated wire Trimming 	190 016 560	225 016 560	250 016 560	270 016 560
Combination rooler with 5-row Poly-twist trim 	190 010 060	225 010 060	250 010 060	270 010 060
Snow sweeper with 4- row Poly-twist- stocking 	190 008 060	225 008 060	250 008 060	270 008 060
Disc brushes / Keyrings Poly-full trimming and polycorrugated wire trimming 	1	On demand	1	Carrying rack (2-part) 45er square
	2	166 000 031	4	mounting disk
	3	903 804 040	16	Spack screw / countersunk
	4	998 600 128		Disc broom Poly-full interior 128 mm Ø, (one disc)
	5	999 600 128		Disc broom Corrugated wire trim inside 128 mm Ø, (one disc)
	6	On demand		Spacer 25 mm

Kersten

SITE MAINTENANCE EQUIPMENT

Distributed in UK by
Kersten (UK) Ltd Tel. 0118 986 9253

Progress House
39 Boulton Road Reading, RG2 0NH
www.kerstenuk.com - info@kerstenuk.com