

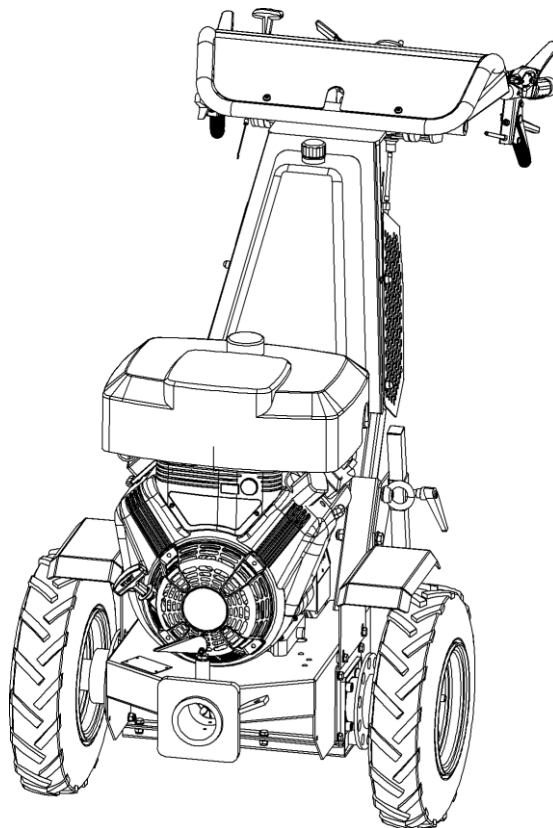


# Spare Parts Lists

## Hydrostatic Two-Wheel Tractor

# UBS Hydro

Models 9 G – 16 GE



Order number: E00025    From machine No: 50810    Rev.: 03    Date 08.01.2016



Manufactured by Kersten  
**Arealmaschinen GmbH**  
Empeler Straße 95  
D - 46459 Rees  
[www.kersten-maschinen.de](http://www.kersten-maschinen.de)



Distributed in UK by  
**Kersten (UK) Ltd** Tel. 0118 986 9253  
Progress House  
39 Boulton Road Reading, RG2 0NH  
[www.kerstenuk.com](http://www.kerstenuk.com) - [info@kerstenuk.com](mailto:info@kerstenuk.com)

# Table of Contents

---

## Table of Contents

<b>1</b>	<b>MODEL OVERVIEW</b> .....	<b>2</b>
1.1	UBS HYDRO 9 G – C01461 R01 .....	2
1.2	UBS HYDRO 9 GE – C01462 R01 .....	2
1.3	UBS HYDRO 13 G – C01463 R01 .....	2
1.4	UBS HYDRO 13 GE – C01464 R01 .....	2
1.5	UBS HYDRO 14 G – C01465 R01 .....	3
1.6	UBS HYDRO 14 GE – C01466 R01 .....	3
1.7	UBS HYDRO 16 G – C01467 R01 .....	3
1.8	UBS HYDRO 16 GE – C01468 R01 .....	3
<b>2</b>	<b>ASSEMBLY OVERVIEW</b> .....	<b>4</b>
2.1	UBS HYDRO WITH HONDA ENGINE ASSEMBLY – C01459 R00 .....	4
2.2	UBS HYDRO WITH B & S MOTOR ASSEMBLY – C01460 R00 .....	5
2.3	BASIC HOUSING FOR UBS HYDRO – C01455 R00 .....	6
2.4	AXLE CARRIER NARROW VERSION FOR UBS HYDRO & MASTER – C00570 R00 .....	7
2.5	TRANSMISSION TRAIN FOR UBS HYDRO WITH HONDA MOTOR – C01449 R02 .....	8
2.6	TRANSMISSION TRAIN FOR UBS HYDRO WITH B & S MOTOR – C01450 R01 .....	9
2.7	GUIDEHOLM WITHOUT SWIVEL CONSOLE WITH TANK – C01268 R00 .....	10
2.8	HYDRAULIC CONTROL – C00589 R00 .....	11
2.9	USER CONSOLE FOR UBS HYDRO – C01438 R00 .....	12
2.10	HYDRAULIC KIT FOR UBS HYDRO NARROW VERSION (WIP) – C01445 R00 .....	14
2.11	HYDRAULIC KIT FOR UBS HYDRO WIDE VERSION (WIP) – C02708 R00 .....	15
2.12	LEVERAGE MECHANISM FOR PARKING BRAKES AT THE GUIDEHOUSE – C02423 R01	16
<b>3</b>	<b>ACCESSORIES</b> .....	<b>17</b>
3.1	GUIDEHOLM WITH SWIVEL CONSOLE & TANK – C01267 R00 .....	17
3.2	AXLE SUPPORT WIDE VERSION FOR UBS HYDRO & MASTER – C00586 R00 .....	18
3.3	RADGEWICHTE – C00122 R00 .....	19
<b>4</b>	<b>OTHERS</b> .....	<b>20</b>
4.1	TIRE AND WHEEL HUB LIST – D00001 R01 .....	20

## Table of Contents

---

### 1 Model Overview

#### 1.1 UBS Hydro 9 G – C01461 R01

No.	Art.-Num.	Disp.	Designation
1	C01459 R00	1	UBS Hydro with Honda engine assembly
2	920 000 002	1	Honda engine
3	C01455 R00	1	Basic housing for UBS Hydro
4	C00570 R00	1	Axle narrow version with FSB
5	C01449 R01	1	Driveline for UBS Hydro with Honda engine
6	C01268 R00	1	Guide rail without swivel bracket with tank
7	C00589 R00	1	Hydraulic control hydraulic valve
8	C01438 R01	1	Control console for UBS Hydro
9	C01445 R00	1	Hydraulic kit UBS Hydro narrow version

#### 1.2 UBS Hydro 9 GE – C01462 R01

No.	Art.-Num.	Disp.	Designation
1	C01459 R00	1	UBS Hydro with Honda engine assembly
2	920 000 004	1	Honda engine with electric start
3	C01455 R00	1	Basic housing for UBS Hydro
4	C00570 R00	1	Axle narrow version with FSB
5	C01449 R01	1	Driveline for UBS Hydro with Honda engine
6	C01268 R00	1	Guide rail without swivel bracket with tank
7	C00589 R00	1	Hydraulic control hydraulic valve
8	C01438 R01	1	Control console for UBS Hydro
9	C01445 R00	1	Hydraulic kit UBS Hydro narrow version

## Spare part list - UBS Hydro

---

### 1.3 UBS Hydro 13 G – C01463 R01

No.	Art.-Num.	Disp.	Designation
1	C01459 R00	1	UBS Hydro with Honda engine assembly
2	920 000 003	1	Honda engine
3	C01455 R00	1	Basic housing for UBS Hydro
4	C00570 R00	1	Axle narrow version with FSB
5	C01449 R01	1	Driveline for UBS Hydro with Honda engine
6	C01268 R00	1	Guide rail without swivel bracket with tank
7	C00589 R00	1	Hydraulic control hydraulic valve
8	C01438 R01	1	Control console for UBS Hydro
9	C01445 R00	1	Hydraulic kit UBS Hydro narrow version

### 1.4 UBS Hydro 13 GE – C01464 R01

No.	Art.-Num.	Disp.	Designation
1	C01459 R00	1	UBS Hydro with Honda engine assembly
2	920 000 013	1	Honda engine with electric start
3	C01455 R00	1	Basic housing for UBS Hydro
4	C00570 R00	1	Axle narrow version with FSB
5	C01449 R01	1	Driveline for UBS Hydro with Honda engine
6	C01268 R00	1	Guide rail without swivel bracket with tank
7	C00589 R00	1	Hydraulic control hydraulic valve
8	C01438 R01	1	Control console for UBS Hydro
9	C01445 R00	1	Hydraulic kit UBS Hydro narrow version

## Spare part list - UBS Hydro

### 1.4 UBS Hydro 14 G – C01465 R01

No.	Art.-Num.	Disp.	Designation
1	C01460 R00	1	UBS Hydro with B & S engine assembly
2	920 000 114	1	B & S engine
3	C01455 R00	1	Basic housing for UBS Hydro
4	C00570 R00	1	Axle narrow version with FSB
5	C01450 R01	1	Driveline for UBS Hydro with B & S engine
6	C01268 R00	1	Guide rail without swivel bracket with tank
7	C00589 R00	1	Hydraulic control hydraulic valve
8	C01438 R01	1	Control console for UBS Hydro
9	C01445 R00	1	Hydraulic kit UBS Hydro narrow version

### 1.5 UBS Hydro 14 GE – C01466 R01

No.	Art.-Num.	Disp.	Designation
1	C01460 R00	1	UBS Hydro with B & S engine assembly
2	920 000 115	1	B & S engine with electric start
3	C01455 R00	1	Basic housing for UBS Hydro
4	C00570 R00	1	Axle narrow version with FSB
5	C01450 R01	1	Driveline for UBS Hydro with B & S engine
6	C01268 R00	1	Guide rail without swivel bracket with tank
7	C00589 R00	1	Hydraulic control hydraulic valve
8	C01438 R01	1	Control console for UBS Hydro
9	C01445 R00	1	Hydraulic kit UBS Hydro narrow version

### 1.6 UBS Hydro 16 G – C01467 R01

No.	Art.-Num.	Disp.	Designation
1	C01460 R00	1	UBS Hydro with B & S engine assembly
2	920 000 014	1	B & S engine
3	C01455 R00	1	Basic housing for UBS Hydro
4	C00570 R00	1	Axle narrow version with FSB
5	C01450 R01	1	Driveline for UBS Hydro with B & S engine
6	C01268 R00	1	Guide rail without swivel bracket with tank
7	C00589 R00	1	Hydraulic control hydraulic valve
8	C01438 R01	1	Control console for UBS Hydro
9	C01445 R00	1	Hydraulic kit UBS Hydro narrow version

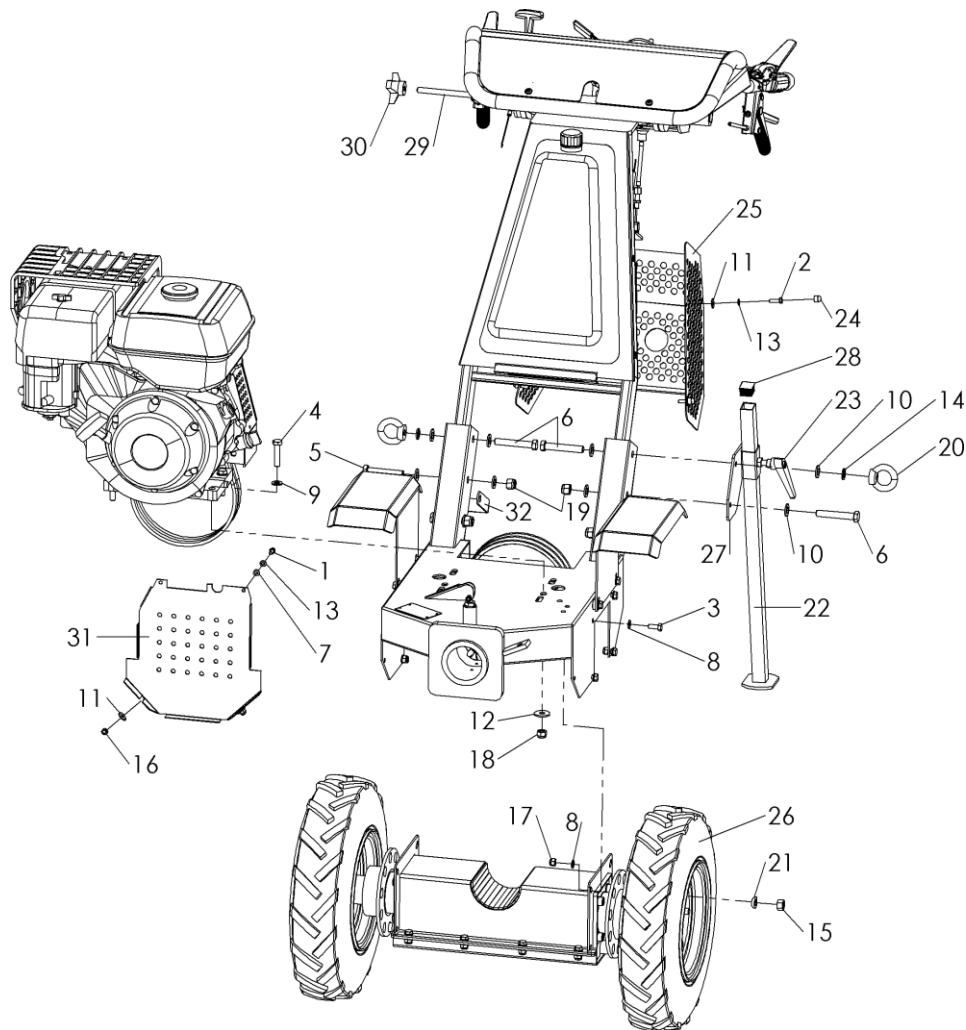
### 1.7 UBS Hydro 16 GE – C01468 R01

No.	Art.-Num.	Disp.	Designation
1	C01460 R00	1	UBS Hydro with B & S engine assembly
2	920 000 008	1	B & S engine with electric start
3	C01455 R00	1	Basic housing for UBS Hydro
4	C00570 R00	1	Axle narrow version with FSB
5	C01450 R01	1	Driveline for UBS Hydro with B & S engine
6	C01268 R00	1	Guide rail without swivel bracket with tank
7	C00589 R00	1	Hydraulic control hydraulic valve
8	C01438 R01	1	Control console for UBS Hydro
9	C01445 R00	1	Hydraulic kit UBS Hydro narrow version

# Spare part list - UBS Hydro

## 2 Overview of Modules

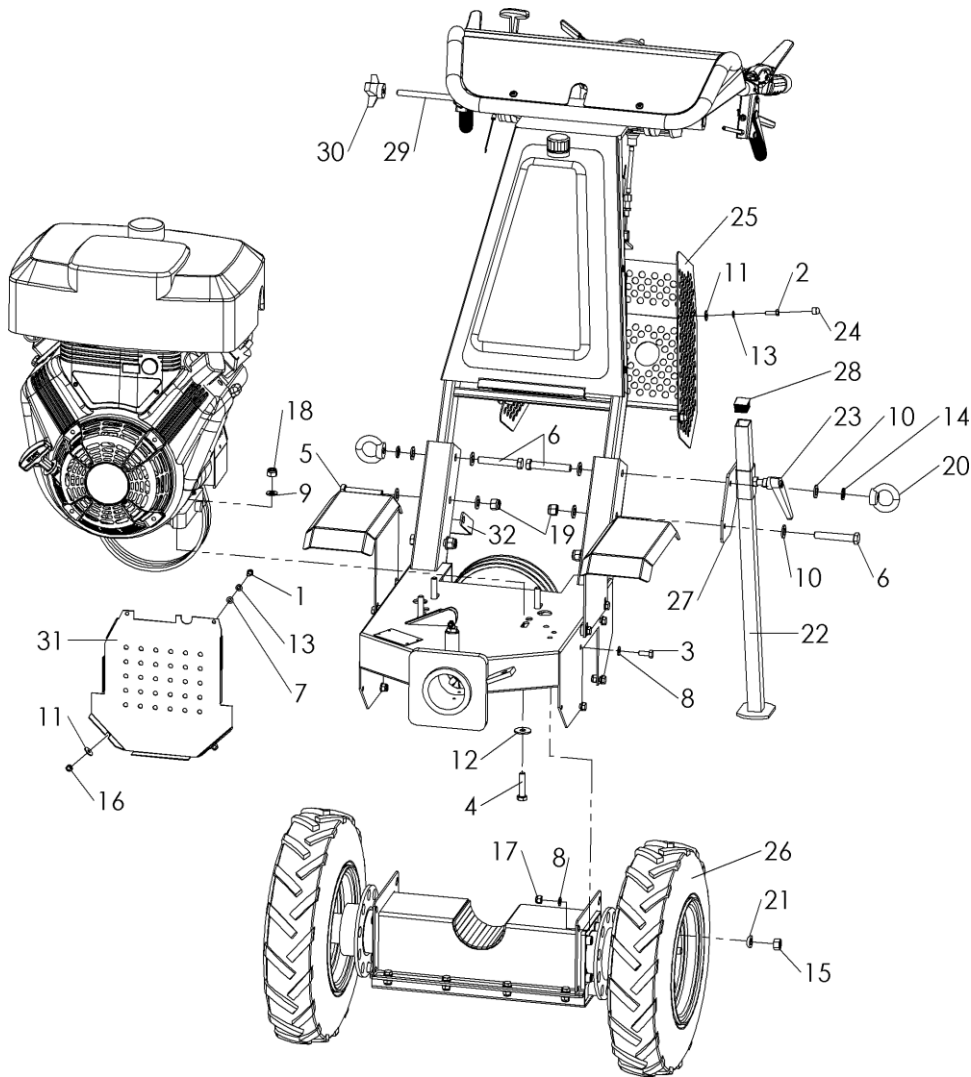
### 2.1 UBS Hydro with Honda engine - Assembly - C01459 R00



No.	Art.-Num.	Disp.	Designation
1	901 006 012	1	Hexagon screw
2	901 006 020	7	Hexagon screw
3	901 008 020	8	Hexagon screw
4	901 010 045	4	Hexagon screw
5	901 112 070	1	Hexagon screw
6	901 112 075	5	Hexagon screw
7	905 106 000	1	Washer
8	905 108 000	16	Washer
9	905 110 000	4	Washer
10	905 112 000	12	Washer
11	905 206 018	9	K-disc
12	905 210 000	4	K-disc
13	905 006 000	5	spring washer
14	905 012 000	2	spring washer
15	900 012 001	8	Hexagon nut
16	900 006 002	2	Stoppmutter

No.	Art.-Num.	Disp.	Designation
17	900 008 002	8	Stoppmutter
18	900 010 002	4	Stoppmutter
19	900 012 002	4	Stoppmutter
20	900 012 017	2	ring nut
21	905 712 000	8	Liemesring
22	700 100 155	1	parking support
23	941 200 106	1	clamping lever
24	943 559 006	4	cap
25	770 000 020	1	Hood
26	s. tire list	2	tire
27	700 030 158	1	Holder for parking support
28	943 125 252	1	protective cap
29	C01260	1	tension rod
30	941 245 330	1	Three star grip
31	700 802 047	1	belt guard
32	C00804	2	hanger

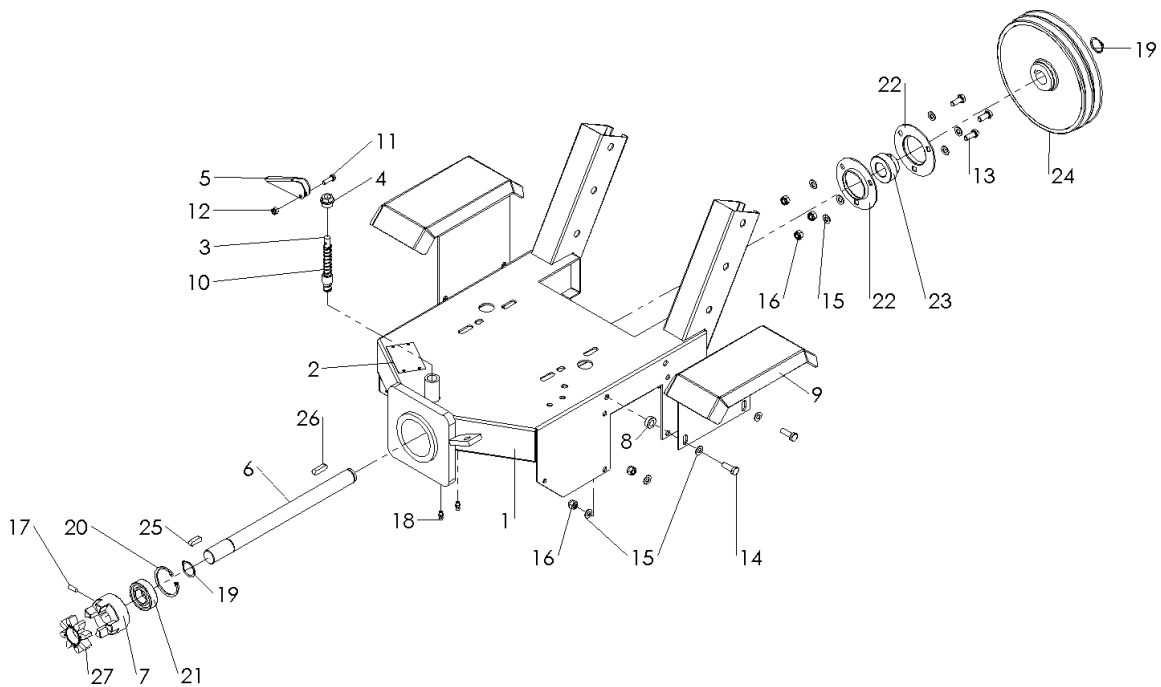
2.2 UBS Hydro with B&S Motor – engine assembly - C01460 R00



No.	Art.-Num.	Disp.	Designation
1	901 006 012	1	Hexagon screw
2	901 006 020	7	Hexagon screw
3	901 008 020	8	Hexagon screw
4	901 010 045	4	Hexagon screw
5	901 112 070	1	Hexagon screw
6	901 112 075	5	Hexagon screw
7	905 106 000	1	Washer
8	905 108 000	16	Washer
9	905 110 000	4	Washer
10	905 112 000	12	Washer
11	905 206 018	9	K-disc
12	905 210 000	4	K-disc
13	905 006 000	5	spring washer
14	905 012 000	2	spring washer
15	900 012 001	8	Hexagon nut
16	900 006 002	2	Stoppmutter

No.	Art.-Num.	Disp.	Designation
17	900 008 002	8	Stoppmutter
18	900 010 002	4	Stoppmutter
19	900 012 002	4	Stoppmutter
20	900 012 017	2	ring nut
21	905 712 000	8	Liemesring
22	700 100 155	1	parking support
23	941 200 106	1	clamping lever
24	943 559 006	4	cap
25	770 000 020	1	Hood
26	s. tire list	2	tire
27	700 030 158	1	Holder for parking support
28	943 125 252	1	protective cap
29	C01260	1	tension rod
30	941 245 330	1	Three star grip
31	700 802 047	1	belt guard
32	C00804	2	hanger

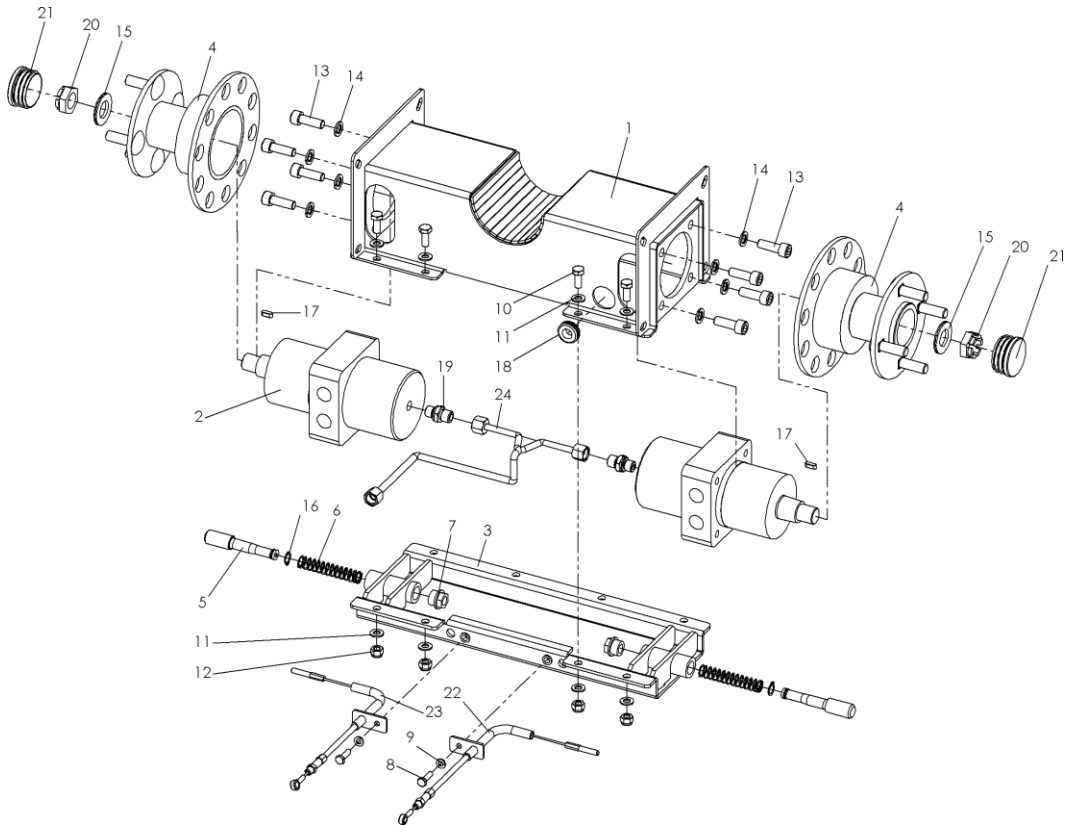
2.3 Basic housing for UBS Hydro - C01455 R00



No.	Art.-Num.	Disp.	Designation
1	702 000 010	1	Headers
2	On demand	1	nameplate
3	700 000 170	1	locking pin
4	700 000 171	1	Screw
5	700 000 172	1	safety lever
6	702 000 026	1	Drive shaft UBS Hydro
7	925 301 025	1	clutch
8	705 200 507	4	Rifle
9	700 000 055	2	fender
10	909 100 189	1	compression spring
11	901 005 020	1	Hexagon screw
12	900 005 002	1	Stoppmutter
13	901 008 020	3	Hexagon screw
14	901 008 025	4	Hexagon screw
15	905 108 000	14	Washer
16	900 008 002	7	Stoppmutter
17	902 306 020	1	grub screw
18	910 006 000	2	Grease nipple 6mm, straight
19	905 925 000	2	Circlip outside
20	906 000 520	1	circlip inside
21	924 106 205	1	Deep groove ball bearings
22	924 200 205	2	bearings
23	924 100 205	1	ball-bearing
24	921 240 201	1	pulley
25	908 008 725	1	Adjusting spring
26	908 008 730	1	Adjusting spring
27	925 302 098	1	coupling driver



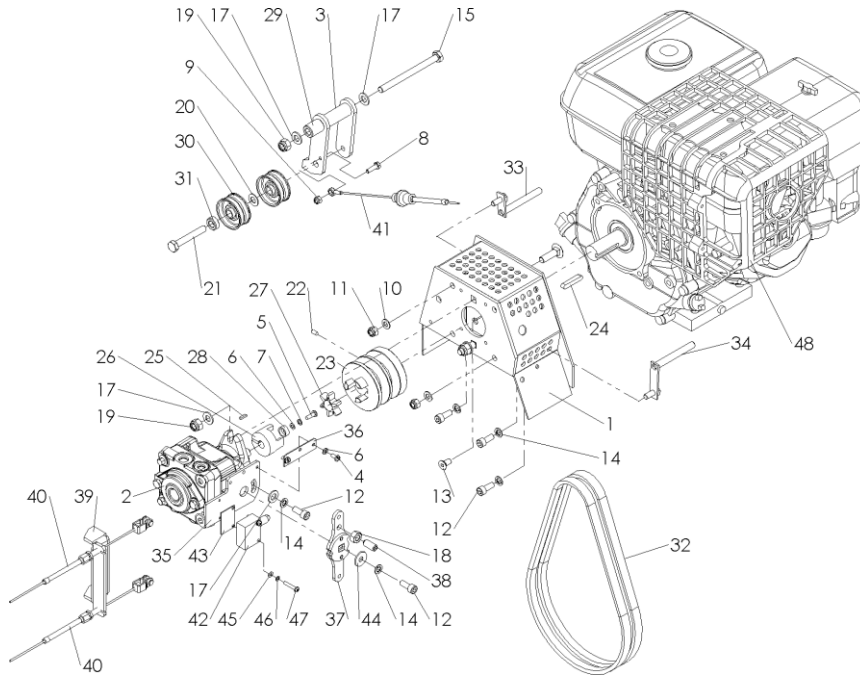
2.4 Dub-beam narrow version for UBS Hydro & Master - C00570 R00



No.	Art.-Num.	Disp.	Designation
1	C00423	1	Axle carrier short
2	s. tire list	2	hydraulic motor
3	C00324	1	baseplate
4	s. tire list	2	wheel hub
5	C00403	2	Locking studs
6	909 100 206	2	compression spring
7	700 000 171	2	Screw
8	901 006 020	2	Hexagon screw
9	905 106 000	2	Washer
10	901 008 020	8	Hexagon screw
11	905 108 000	16	Washer
12	900 008 002	8	Stoppmutter
13	901 810 030	8	Cyl.-screw with Innenskt.
14	905 010 000	8	spring washer
15	906 900 001	2	Locking washers set
16	905 900 111	2	circlip
17	908 005 514	2	Adjusting spring
18	908 706 652	1	Cable grommet double-sided
19	931 070 814	2	Hydraulikverschraubung
20	900 020 012	2	castellated nut
21	943 400 048	2	Slat plug for wheel hub
22	C00136	1	Bowden cable for FSB 378 axle carrier
23	C00137	1	k. A. right
24	Hydraulic kit	1	Bowden cable for FSB 378 axle carrier

## Spare part list - UBS Hydro

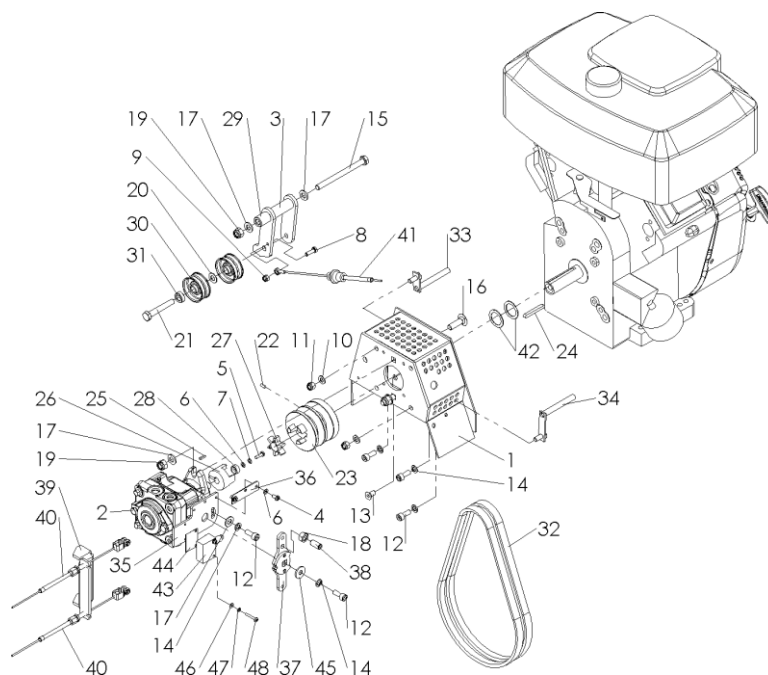
### 2.5 Driveline for UBS Hydro with Honda Motor - C01449 R02



No.	Art.-Num.	Disp.	Designation
1	C03184	1	pump holder
2	934 100 004	1	axial piston pump
3	700 100 042	1	Tensioner holder
4	903 920 510	2	Flat head screw with slot
5	902 758 103	1	Flat head screw with Phillips
6	905 105 000	3	Washer
7	905 005 000	1	spring washer
8	901 006 020	1	Skt.-screw without shank
9	900 006 002	1	Stoppmutter
10	905 108 000	2	Washer
11	900 008 002	2	Stoppmutter
12	901 808 020	5	Cyl.-screw with Innenskt.
13	901 208 016	1	Countersunk screw with inner socket.
14	905 008 000	5	spring washer
15	901 110 120	1	Hexagon screw
16	901 910 035	2	carriage bolt
17	905 110 000	5	Washer
18	900 010 001	1	Hexagon nut
19	900 010 002	3	Stoppmutter
20	906 210 201	1	shim
21	902 738 212	1	Hexagon screw
22	902 305 012	1	grub screw
23	925 104 024	1	pulley
24	908 007 740	1	Adjusting spring

No.	Art.-Num.	Disp.	Designation
25	908 018 014	1	Adjusting spring
26	700 802 048	1	clutch
27	925 102 064	1	coupling driver
28	700 000 318	1	An drückbuchse for clutch
29	705 205 026	1	Distanzbuchse
30	921 313 718	2	idler
31	705 205 008	1	Distanzbuchse
32	921 100 872	1	V-belt set
33	702 000 038	1	V-belt keepers short
34	702 000 037	1	V-belt keepers long
35	C02069	1	affixation
36	C01244	1	wear plate
37	C02072	1	Swiveling lever with doubling
38	909 100 010	1	push piece
39	C01273	1	Counterholder Bowden cable
40	operator	2	Bowden
41	operator	1	Bowden
42	941 903 002	1	safety switch
43	C02212	1	spacer plate
44	905 208 025	1	K-disc
45	905 104 000	2	Washer
46	905 004 000	2	spring washer
47	903 604 025	2	Phillips screw with Phillips
48	920 803 074	1	Exhaust grille

## 2.5 Driveline for UBS Hydro with B&S Motor - C01450 R01



### 2.6

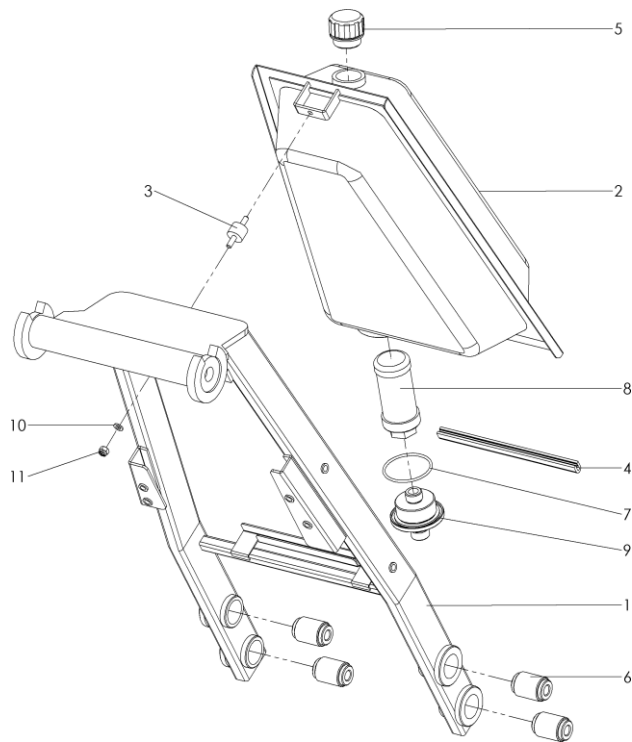
No.	Art.-Num.	Disp.	Designation
1	702 001 030	1	pump holder
2	934 100 004	1	axial piston pump
3	700 100 042	1	Tensioner holder
4	903 920 510	2	Flat head screw with slot
5	902 758 103	1	Flat head screw with Phillips
6	905 105 000	3	Washer
7	905 005 000	1	spring washer
8	901 006 020	1	Skt.-screw without shank
9	900 006 002	1	Stoppmutter
10	905 108 000	2	Washer
11	900 008 002	2	Stoppmutter
12	901 808 020	5	Cyl.-screw with Innenskt.
13	901 208 016	1	Countersunk screw with inner socket.
14	905 008 000	5	spring washer
15	901 110 120	1	Hexagon screw
16	901 910 035	2	carriage bolt
17	905 110 000	5	Washer
18	900 010 001	1	Hexagon nut
19	900 010 002	3	Stoppmutter
20	906 210 201	1	shim
21	902 738 212	1	Hexagon screw
22	902 305 012	1	grub screw
23	925 304 080	1	pulley
24	908 006 650	1	Adjusting spring

## Spare part list - UBS Hydro

---

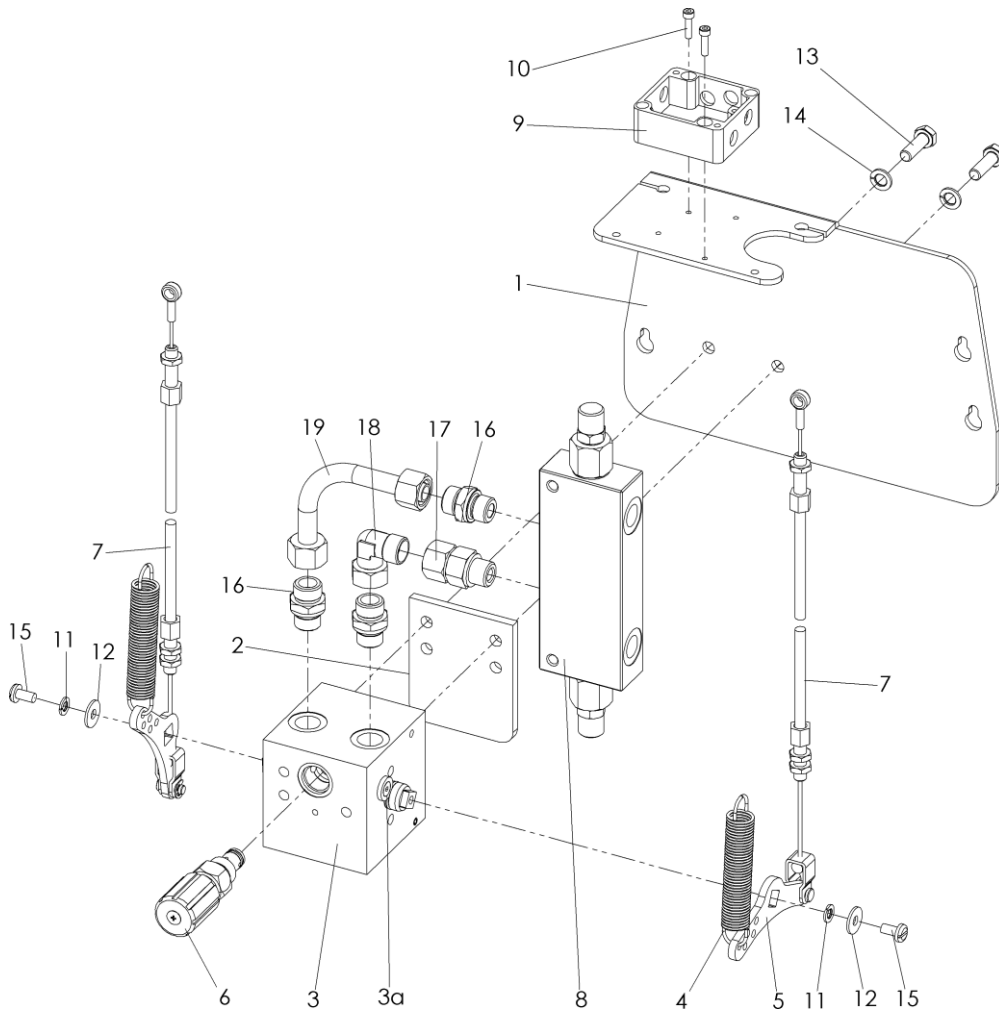
No.	Art.-Num.	Disp.	Designation
25	908 018 014	1	Adjusting spring
26	700 802 048	1	clutch
27	925 102 064	1	coupling driver
28	700 000 318	1	Andrückbuchse for clutch
29	705 205 026	1	Distanzbuchse
30	921 313 718	2	idler
31	705 205 008	1	Distanzbuchse
32	921 100 872	1	V-belt set
33	702 000 038	1	V-belt keepers short
34	702 000 037	1	V-belt keepers long
35	C02069	1	affixation
36	C01244	1	wear plate
37	C02072	1	Swiveling lever with doubling
38	909 100 010	1	push piece
39	C01273	1	Counterholder Bowden cable
40	s. operator	2	Bowden
41	s. operator	1	Bowden
42	905 326 361	2	spacer
43	941 903 002	1	safety switch
44	C02212	1	spacer plate
45	905 208 025	1	K-disc
46	905 104 000	2	Washer
47	905 004 000	2	spring washer
48	903 604 025	2	Phillips screw with Phillips

2.7 Guide rail without swivel bracket with talk - C01268 R00



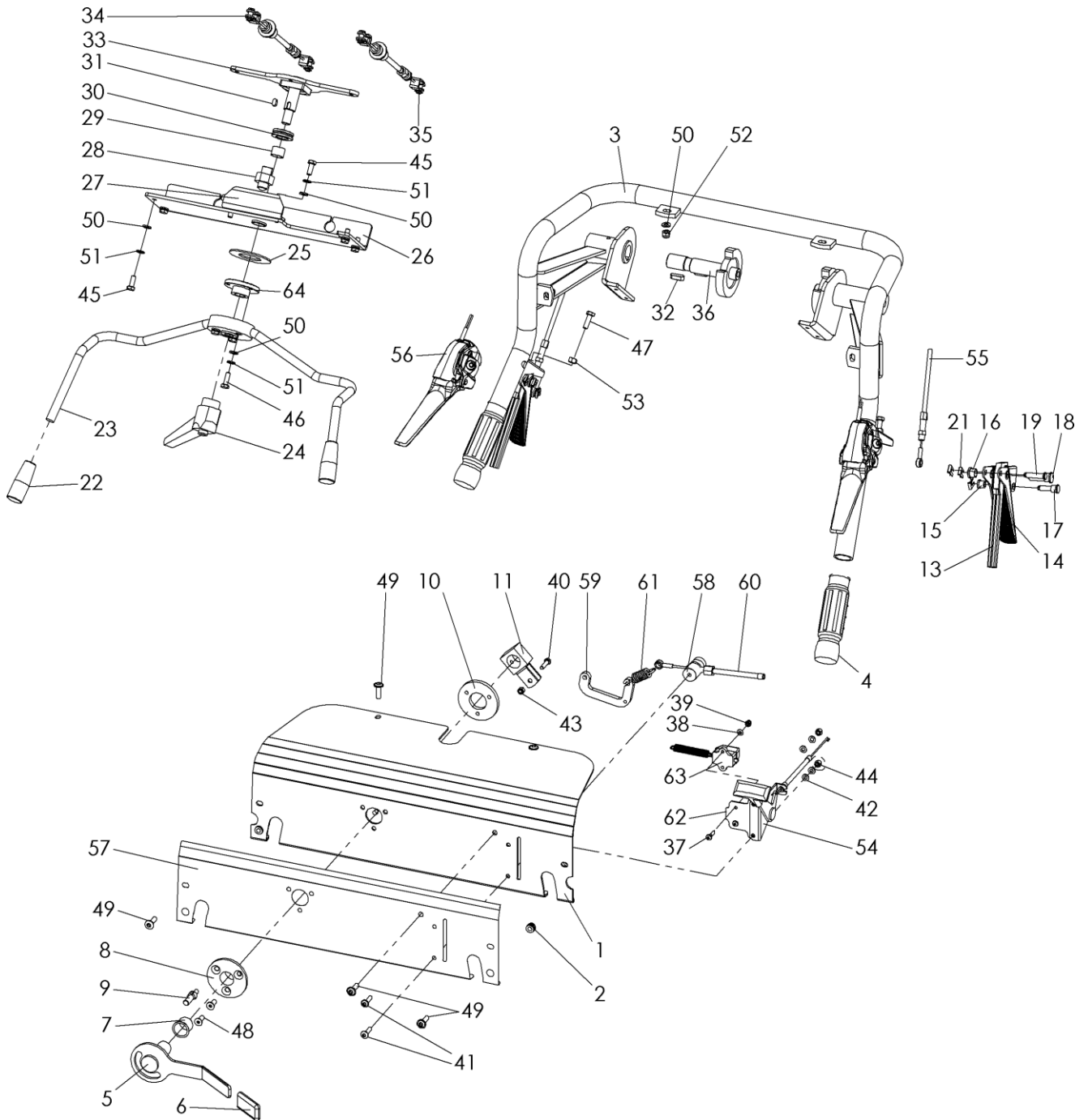
No.	Art.-Num.	Disp.	Designation
1	C01256	1	Handlebar
2	771 000 001	1	Tank with 1 filter element
3	911 006 015	1	Rubber-metal buffer
4	767 000 147	1	Edge protection for tank
5	931 200 042	1	bleed screw
6	911 301 244	4	vibrator
7	937 158 003	1	O-ring
8	937 200 030	1	Microfilter for axial piston pump
9	110 000 135	1	Filter carrier in the tank
10	905 106 000	1	Washer
11	900 006 002	1	Stoppmutter

2.8 Hydraulic control - C00589 R02



No.	Art.-Num.	Disp.	Designation
1	770 000 040	1	Attachment hydraulic valve
2	767 000 030	1	reinforcing plate
3	C00590	1	Hydraulic valve block compl.
3a	937 125 031	2	seal kit
4	909 200 021	2	main spring
5	769 300 040	2	Swingarm for pistons
6	936 203 006	1	control cartridge
7	941 765 001	2	Bowden cable below
8	936 612 563	1	lowering valve
9	C03940	1	wiring box
10	901 804 010	2	Cylinder head screw with Innenskt.
11	905 006 000	2	spring washer
12	905 206 025	2	K-disc
13	901 008 025	2	Skt.-screw without shank
14	905 008 000	2	spring washer
15	903 920 612	2	Flat head screw with slot
16	931 071 238	3	Hydraulikverschraubung
17	931 031 238	1	Hydraulikverschraubung
18	931 061 200	1	Hydraulikverschraubung
19	767 000 080	1	hydraulic line

2.9 Control console for UBS Hydro - C01438 R01



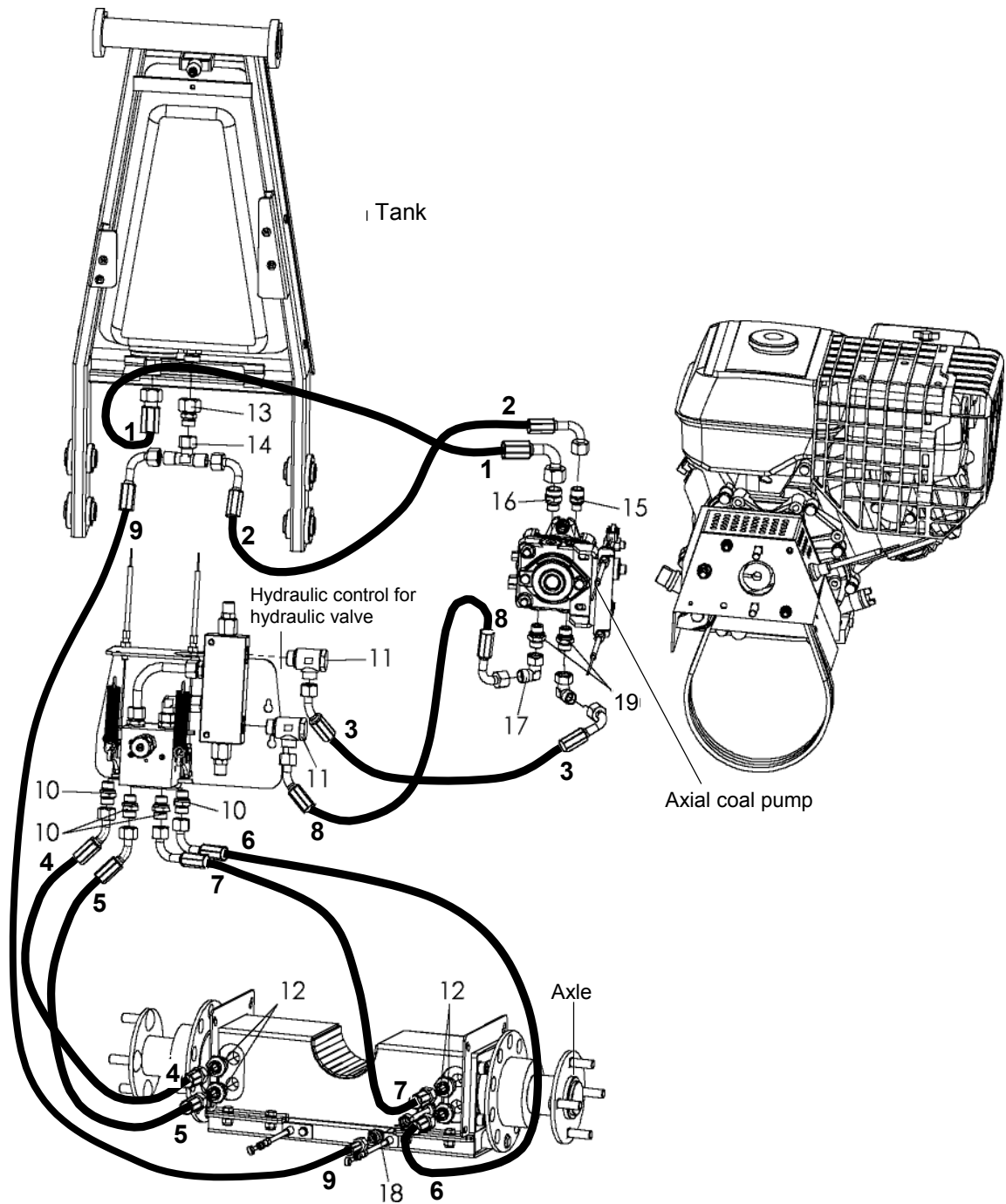
No.	Art.-Num.	Disp.	Designation
1	C00857	1	operator
2	908 706 646	2	Cable grommet double.
3	C01233	1	hand Holm
4	941 908 015	2	handle
5	C00495	1	PTO lever
6	941 900 050	1	diving cap
7	915 021 020	1	bearings
8	767 000 004	1	rosette
9	C00057	1	Stop bolts for PTO lever
10	C00058	1	Screw plate for rosette
11	C00494	1	swivel arm

## Spare part list - UBS Hydro

No.	Art.-Nu.	Disp.	Designation
12	902 306 008	1	grub screw
13	770 000 010	2	Steering lever inside
14	767 000 120	2	Double steering lever (outside)
15	767 000 100	2	guide sleeve
16	767 000 099	2	guide sleeve
17	767 000 098	2	bolt
18	767 000 096	2	bolt
19	767 000 097	2	bolt
20	014 005 205	2	Driver for steering lever
21	907 225 020	6	cotter
22	767 000 020	2	rubber cap
23	C03135	1	Rocker with adjustable swivel joint
24	941 200 012	1	clamping lever
25	950 767 001	1	brake disc
26	C00858	1	Attachment plate for swivel joint
27	C01089	1	Mounting bracket for pressure switch
28	941 902 016	1	ball switch
29	915 161 812	1	bearings
30	8751103	1	camp
31	908 005 510	1	Adjusting spring
32	908 006 620	2	Adjusting spring
33	C01236	1	pivoting lever
34	941 050 162	1	Bowden cable travel drive long
35	941 050 163	1	Bowden cable traction drive short
36	C01237	1	Guide shaft with toothed disc
37	903 604 016	2	Phillips screw with Phillips
38	905 104 000	2	Washer
39	900 004 002	2	Stoppmutter
40	901 005 020	1	Hexagon screw
41	903 905 020	2	Linsenkopfschr. with interior.
42	905 105 000	4	Washer
43	900 005 002	1	Stoppmutter
44	900 005 001	2	Hexagon nut
45	901 006 016	6	Skt.-screw without shank
46	901 006 018	3	Skt.-screw without shank
47	901 006 020	2	Hexagon screw
48	901 206 016	2	Countersunk screw with inner-Skt
49	903 906 020	5	Linsenkopfschr. with interior.
50	905 106 000	13	Washer
51	905 006 000	9	spring washer
52	900 006 002	4	Stoppmutter
53	900 006 001	2	Hexagon nut
54	941 920 133	1	Gas lever LGS long
55	767 000 072	2	Bowden cable steering
56	941 902 003	2	deadman
57	C01259	1	control panel overlay
58	C01414	1	bowden cable
59	014 005 343	1	Umlenkhebel
60	941 050 142	1	Bowden cable PTO
61	909 100 162	1	mainspring
62	C01413	1	Mounting plate brake light switch
63	941 102 766	1	Brake light switch compl.
64	C03134	1	Adjustable swivel joint
65	905 112 000	1	Washer

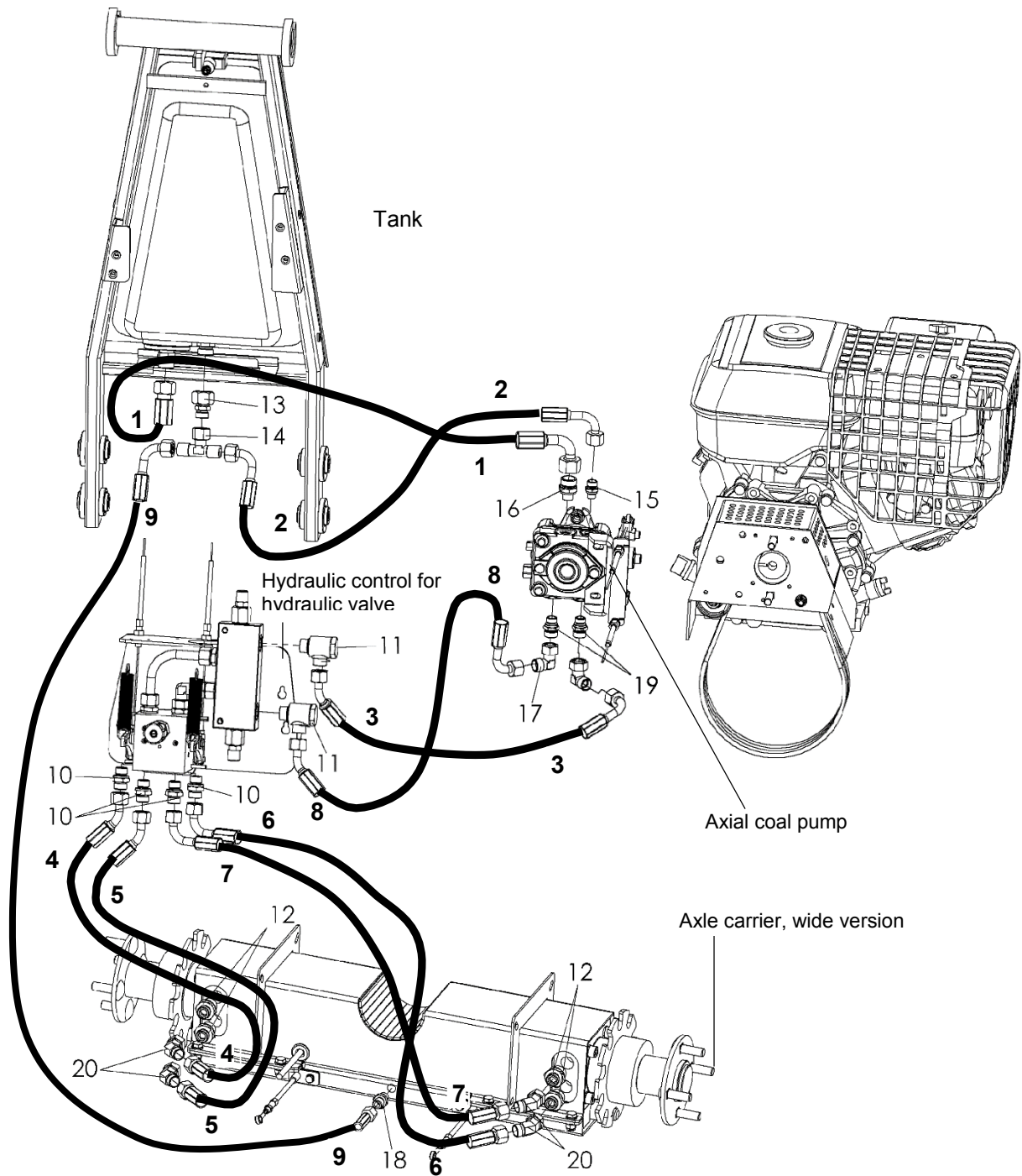


2.10 Hydraulic kit for UBS Hydro narrow version (rocker) C01445 R00



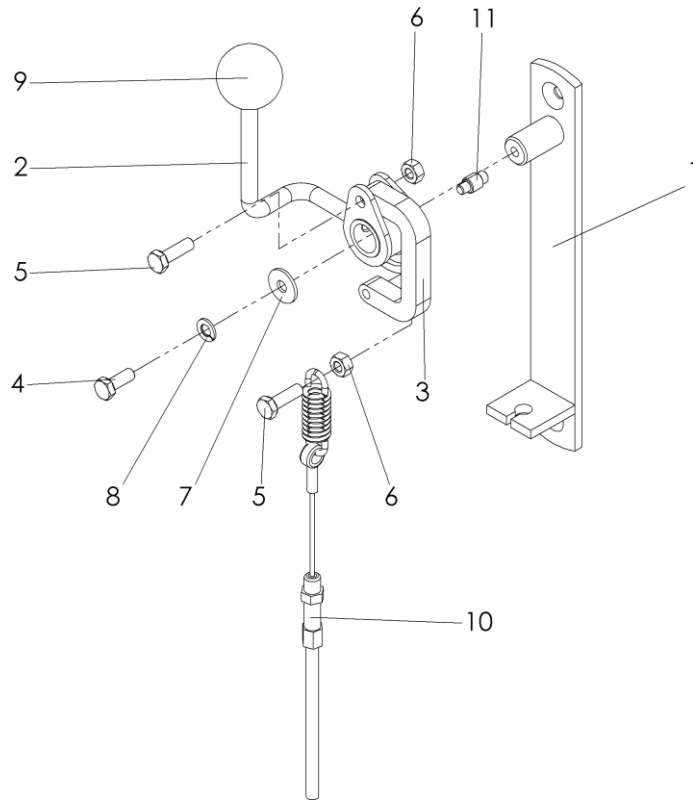
No.	Art.-No.	Num.	Designation	No.	Art.-No.	Num.	Designation
	Pos.1-9		tube set: 930 767 989	10	931 071 238	4	Hydraulikverschraubung
1	937 767 711	1	Hydraulic hose	11	931 171 038	2	Hydraulikverschraubung
2	930 000 094	1	Hydraulic hose	12	931 071 212	4	Hydraulikverschraubung
3	930 767 021	1	Hydraulic hose	13	931 101 512	1	Reduzierschraubung
4	930 767 022	1	Hydraulic hose	14	931 051 200	1	Hydraulikverschraubung
5	930 767 023	1	Hydraulic hose	15	931 071 271	1	Hydraulikverschraubung
6	930 767 024	1	Hydraulic hose	16	931 139 160	1	Hydraulikverschraubung
7	930 767 025	1	Hydraulic hose	17	931 061 200	2	Hydraulikverschraubung
8	930 767 026	1	Hydraulic hose	18	931 070 814	1	Hydraulikverschraubung
9	930 718 024	1	Drain line	19	931 071 291	2	Hydraulikverschraubung

2.11 Hydraulic kit for UBS Hydro wide version (rocket) C02708 R00



No.	Art.-No.	Num.	Designation	No.	Art.-No.	Num.	Designation
	Pos.1-9		tube set: 930 767 989	10	931 071 238	4	Hydraulikverschraubung
1	937 767 711	1	hydraulic hose	11	931 171 038	2	Hydraulikverschraubung
2	930 000 094	1	hydraulic hose	12	931 071 212	4	Hydraulikverschraubung
3	930 767 021	1	hydraulic hose	13	931 101 512	1	Reduzierschraubung
4	930 767 022	1	hydraulic hose	14	931 051 200	1	Hydraulikverschraubung
5	930 767 023	1	hydraulic hose	15	931 071 271	1	Hydraulikverschraubung
6	930 767 024	1	hydraulic hose	16	931 139 160	1	Hydraulikverschraubung
7	930 767 025	1	hydraulic hose	17	931 061 200	2	Hydraulikverschraubung
8	930 767 026	1	hydraulic hose	18	931 070 814	1	Hydraulikverschraubung
9	930 718 024	1	Drain line	19	931 071 291	2	Hydraulikverschraubung
				20	931 245 012	4	Hydraulikverschraubung

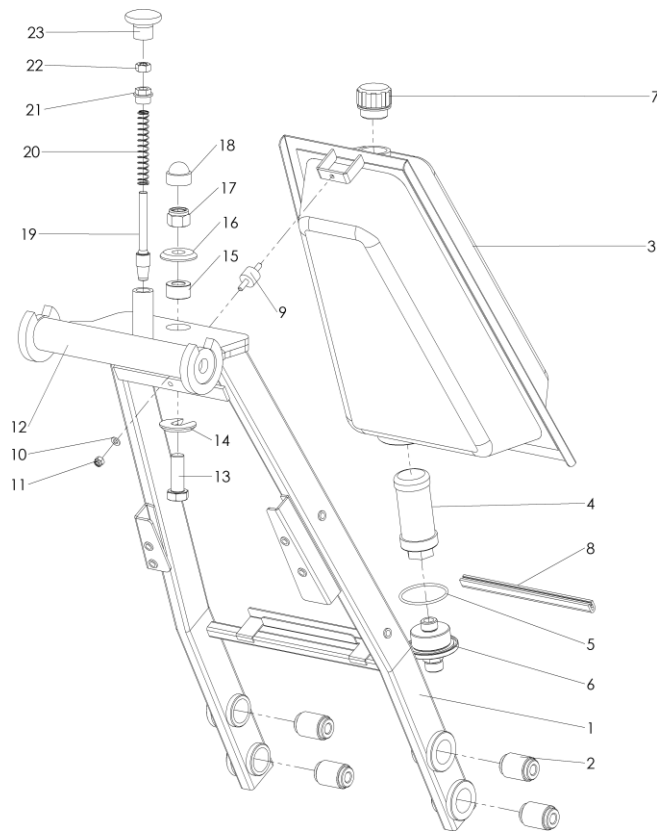
2.12 Lever mechanism for parking brake on the guide rail - C02423 R01



No.	Art.-No.	Num.	Designation
1	C01965	1	Attachment lever
2	767 000 132	1	Control lever FSB
3	C01961	1	guide yoke
4	901 006 016	1	Skt.-screw without shank
5	901 006 020	2	Skt.-screw without shank
6	900 006 001	2	Hexagon nut
7	905 206 025	1	K-disc
8	905 006 000	1	spring washer
9	941 220 008	1	Kugelknopf
10	941 050 170	1	Bowden cable parking brake
11	C01963	1	stop pin

## 3 Accessories

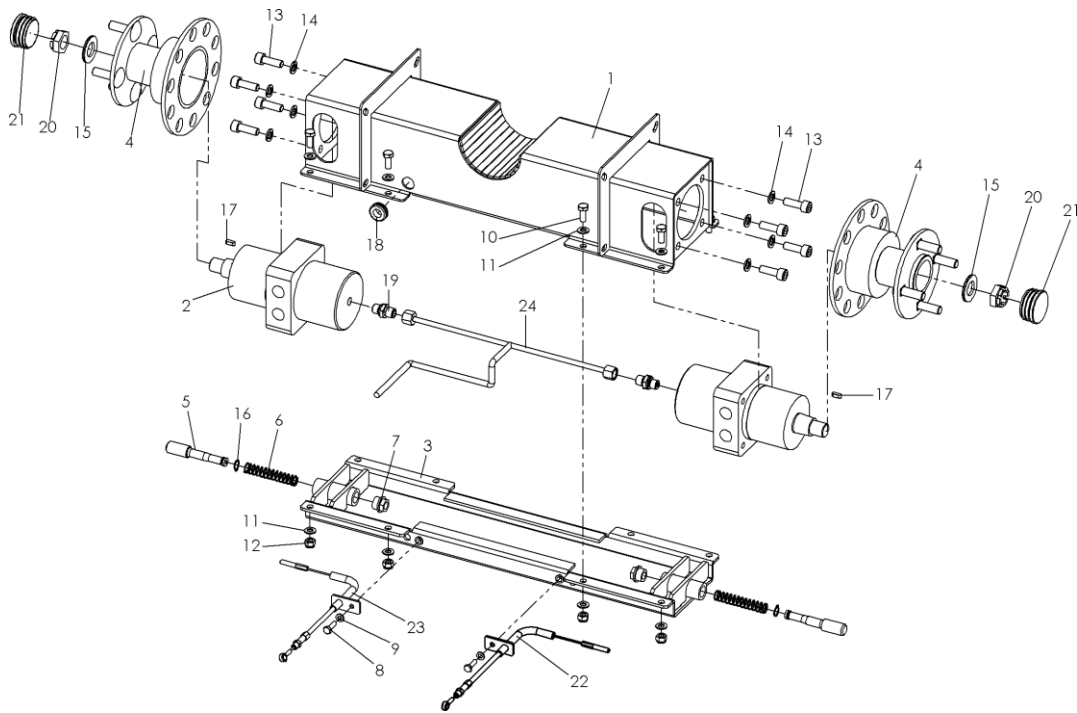
### 3.1 Guide rail with swivel bracket & tank - C01267 R00



No.	Art.-No.	Num.	Designation
1	C00873	1	Handlebar
2	911 301 244	4	vibrator
3	771 000 001	1	Tank with 1 filter element
4	937 200 030	1	Microfilter for axial piston pump
5	937 158 003	1	O-ring
6	110 000 135	1	Filter carrier in the tank
7	931 200 042	1	bleed screw
8	767 000 147	1	Edge protection for tank
9	911 006 015	1	Rubber-metal buffer
10	905 106 000	1	Washer
11	900 006 002	1	Stoppmutter
12	C00875	1	swivel bracket
13	901 124 016	1	Hexagon screw
14	C01283	1	Slotted cover
15	C01252	1	centering
16	C00863	1	cover disc
17	900 016 024	1	Hexagon nut
18	943 559 016	1	cap
19	C01266	1	Locking pin with cone
20	909 100 189	1	compression spring
21	700 000 171	1	Screw
22	900 010 001	1	Hexagon nut
23	941 267 710	1	Mushroom handle round

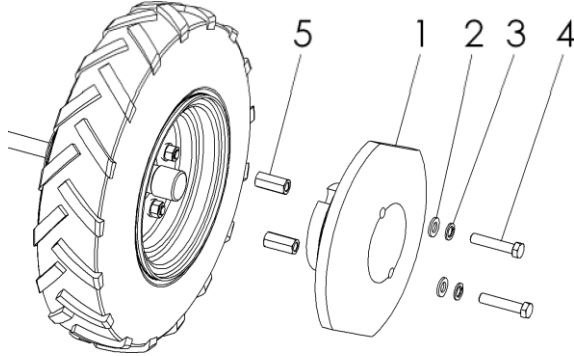
## Spare part list - UBS Hydro

### 3.2 Axle beam wide version for UBS Hydro & Master - C00586 R00- C00586 R00



No.	Art.-No.	Num.	Designation
1	C00332	1	Axle carrier long
2	s. tire list	2	hydraulic motor
3	C02501	1	baseplate
4	s. tire list	2	wheel hub
5	C00403	2	Locking studs
6	909 100 206	2	compression spring
7	700 000 171	2	Screw
8	901 006 020	2	Hexagon screw
9	905 106 000	2	Washer
10	901 008 020	8	Hexagon screw
11	905 108 000	16	Washer
12	900 008 002	8	Stoppmutter
13	901 810 030	8	Cyl.-screw with Innenskt.
14	905 010 000	8	spring washer
15	906 900 001	2	Locking washers set
16	905 900 111	2	circlip
17	908 005 514	2	Adjusting spring
18	908 706 652	1	Cable grommet double-sided
19	931 070 814	2	Hydraulikverschraubung
20	900 020 012	2	castellated nut
21	943 400 048	2	Slat plug for wheel hub
22	C00134	1	Bowden cable for FSB 378 axle carrier
23	C00135	1	l. A. right
24	hydraulic kit	1	Bowden cable for FSB 378 axle carrier

### 3.3 Wheel weight - C00122 R00



No.	Art.-No.	Num.	Designation
1	945 104 008	2	Wheel weight
2	905 112 000	4	Washer
3	905 012 000	4	Spring washer
4	901 012 060	4	Hexagon screw
5	902 812 040	4	Threaded sleeve

## Spare part list - UBS Hydro

### 4 Others

#### 4.1 Tire and wheel hub list – D00001 R01

Type	Wheel size	Tire tread	Item No.	Wheel hut Art.	Wheel hub for parking brake Item no.	Wheel Motor Art.
K 820	4.00-8	Block	926 141 408	712 000 022	-	-
	4.00-8	Field studs	926 110 408	712 000 022	-	-
K 1500	4.00-8	Block	926 140 408	700 000 022	-	-
K 2000	4.00-8	Field studs	926 110 408	700 000 022	-	-
K 2100	16x6.50-8	Block	926 130 168	700 000 023	-	-
	16x6.50-8	Field studs	926 110 168	700 000 023	-	-
UBS Easy	4.00-8	Block	926 140 408	700 000 022	-	-
	4.00-8	Field studs	926 110 408	700 000 022	-	-
	16x6.50-8	Block	926 130 168	700 000 023	-	-
	16x6.50-8	Field studs	926 110 168	700 000 023	-	-
UBS Hydro	4.00-8	Block	926 140 408	767 410 006	767 000 141	935 102 315
	4.00-8	Field studs	926 110 408	767 410 006	767 000 141	935 102 315
	5.00-10	Field studs	926 110 510	767 410 006	767 000 141	935 102 315
	16x6.50-8	Block	926 130 168	767 187 006	767 000 142	935 102 315
	16x6.50-8	Field studs	926 110 168	767 187 006	767 000 142	935 102 315
	18x7.00-8	Field studs	926 110 187	767 187 006	767 000 142	935 102 315
UBS Master	18x9.50-8	Field studs	926 110 188	-	767 000 129	935 103 400
	21x11.00-8	Field studs	926 111 108	-	767 000 129	935 103 400
UBS Alpin	18x9.50-8	Field studs	926 110 188	-	C00976	935 101 400
	21x11.00-8	Field studs	926 111 108	-	C00976	935 101 400
Rough cutter	4.00-10	Field studs	926 110 410	767 410 006	767 000 141	935 102 315
	5.00-10	Field studs	926 110 510	767 410 006	767 000 141	935 102 315
	18x9.50-8	Field studs	926 110 188	767 189 006	767 000 129	935 103 400
	21x11.00-8	Field studs	926 111 108	767 189 006	767 000 129	935 103 400
VertiCutter	4.00-10	Field studs	926 110 410	767 410 006	-	-
	18x7.00-8	Field studs	726 110 187	767 187 006	-	-
Safety cutter	18x9.50-8	Field studs	926 110 188	767 189 006	767 000 129	935 103 400
	21x11.00-8	Field studs	926 111 108	767 189 006	767 000 129	935 103 400
Tiller	16x6.50-8	Field studs	926 110 168	760 000 024	-	-
Vento	4.00-8	Block	926 140 484	700 000 022	-	-
	4.00-8	Field studs	926 130 408	700 000 022	-	-
	16x6.50-8	Block	926 130 168	700 000 023	-	-
Vela	16x6.50-8	Block	926 130 168	700 000 023	-	-

# **Kersten**

**SITE MAINTENANCE EQUIPMENT**

Distributed in UK by  
**Kersten (UK) Ltd Tel. 0118 986 9253**

Progress House  
39 Boulton Road Reading, RG2 0NH  
www.kerstenuk.com - [info@kerstenuk.com](mailto:info@kerstenuk.com)