

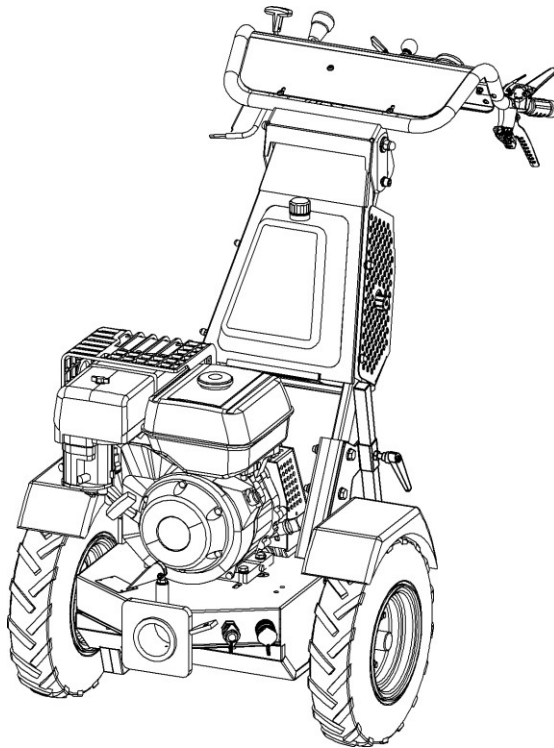


# Spare parts lists

## Hydrostatic Two Wheel Tractor

# UBS Easy 13

Models G - GE



Order number: E00006 From machine No.: 52361 Rev.: R02 Stand: 01.12.2015



Manufactured by Kersten  
**Arealmaschinen GmbH**  
Empeler Straße 95  
D - 46459 Rees  
[www.kersten-maschinen.de](http://www.kersten-maschinen.de)

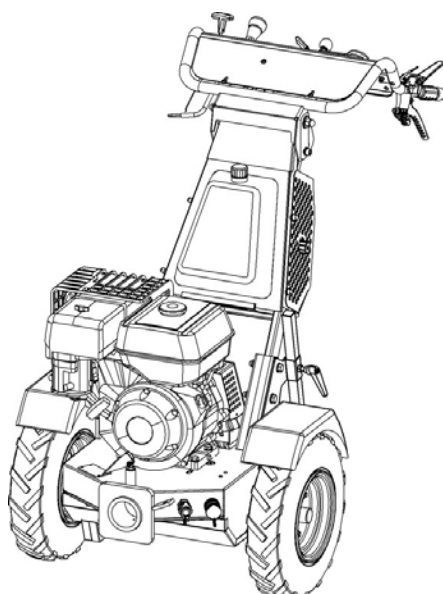


Distributed in UK by  
**Kersten (UK) Ltd** Tel. 0118 986 9253  
Progres House  
39 Boulton Road Reading, RG2 0NH  
[www.kerstenuk.com](http://www.kerstenuk.com) - [info@kerstenuk.com](mailto:info@kerstenuk.com)

## Table of Contents

<b>1</b>	<b>MODEL OVERVIEW .....</b>	<b>3</b>
1.1	UBS 9 G – C00876 R01 .....	3
1.2	UBS 9 GE – C00527 R01.....	3
<b>2</b>	<b>ASSEMBLY OVERVIEW .....</b>	<b>4</b>
2.1	UBS 9 ASSEMBLY -C00404 R00 .....	4
2.2	BASIC HOUSING UDS 70 -C00236 R01 .....	6
2.3	TRANSMISSION UDS 70 ASSEMBLY- C00237 R00.....	7
2.4	DIFFERENTIAL AXLE WITH SIDE DRIVE -C00361 R00.....	8
2.5	GUIDEHOLM & TANK -C00176 R00.....	9
2.6	HYDRAULIC CONTROL WITH CONTROL VALVE -C00003 R00 .....	10
2.1	E-START FOR K SERIES- C04777 R00.....	11
2.2	CONTROL PANEL C00878 R01 .....	12
2.3	POWER PACK UBS 9 -C00508 R00 .....	14
2.4	HONDA GX270 WITH GEAR PUMP –C00359 R00.....	16
2.5	HONDA GX270 WITH GEAR PUMP AND E-START –C00409 R00.....	17
<b>3</b>	<b>ACCESSORIES .....</b>	<b>18</b>
3.1	RADGEWICHTE -C00122 R00 .....	18
<b>4</b>	<b>OTHERS.....</b>	<b>19</b>
4.1	TIRE AND WHEEL HUB LIST –D00001 R02 .....	19

## 1 Model Overview



### 1.1 UBS 9 G – C00876 R01

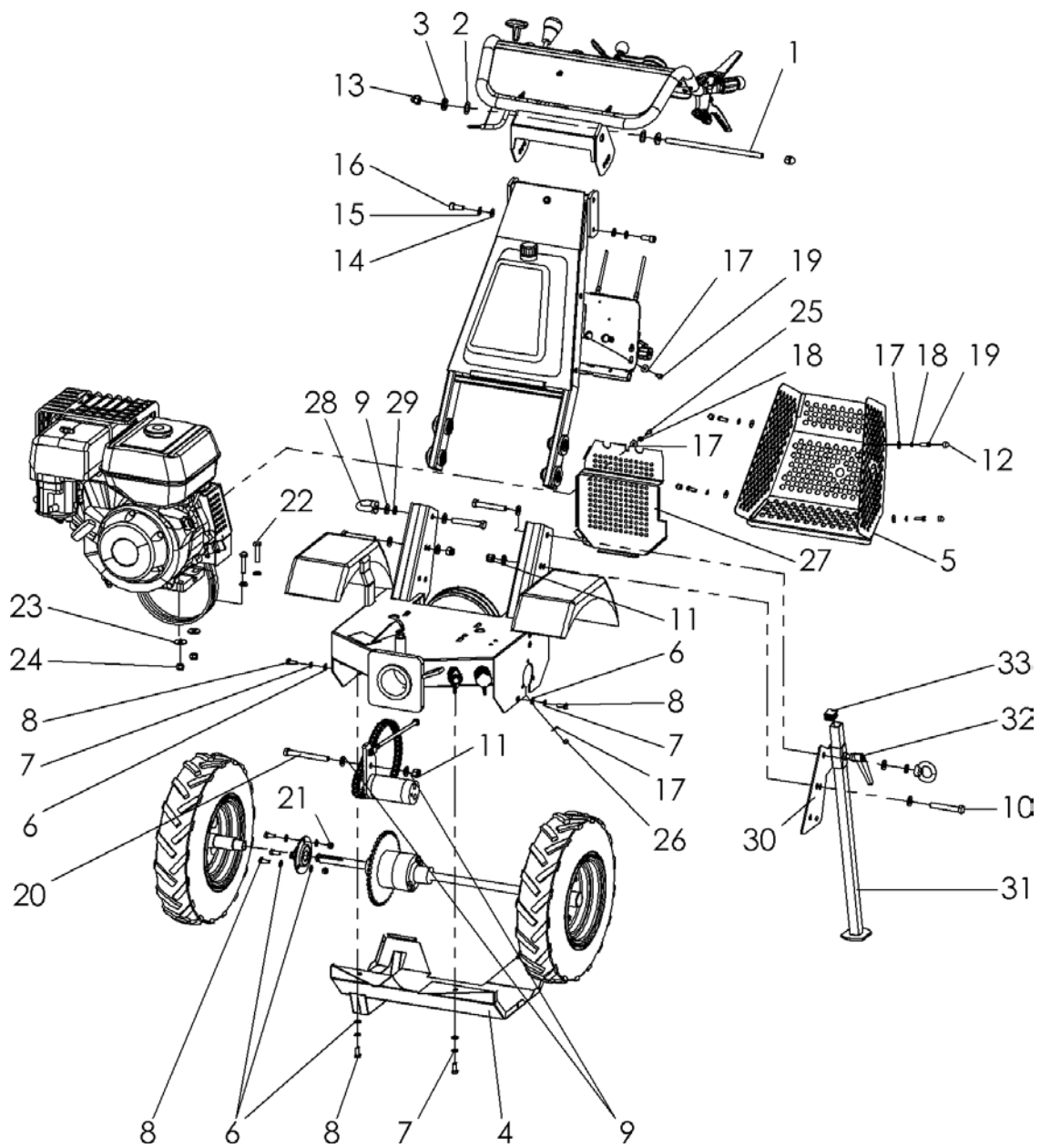
No.	Art.-Num.	Num.	Designation
1	C00404 R00	1	UBS 9 assembly
2	C00236 R00	1	Basic housing UDS 70
3	C00237 R00	1	Travel drive UDS 70
4	C00361 R00	1	Differential axle with side drive UDS 70
5	C00176 R00	1	Short guide rail, steamed, small tank, simple filter screw connection
6	C00003 R00	1	Hydraulic control for drive & PTO
7	C00878 R01	1	Control panel, double-lever reversing lever
8	C00508 R00	1	Hydraulic kit UBS 9
9	C00359 R00	1	Honda GX 270 with gear pump

### 1.2 UBS 9 GE – C00527 R01

No.	Art.-Num.	Num.	Designation
1	C00404 R00	1	UBS 9 assembly
2	C00236 R00	1	Basic housing UDS 70
3	C00237 R00	1	Travel drive UDS 70
4	C00361 R00	1	Differential axle with side drive UDS 70
5	C00176 R00	1	Short guide rail, steamed, small tank, simple filter screw connection
6	C00003 R00	1	Hydraulic control for drive & PTO
7	C00878 R01	1	Control panel, double-lever reversing lever
8	C00508 R00	1	Hydraulic kit UBS 9
9	C00409 R00	1	Honda GX 270 with gear pump and electric start

2 Overview of Modules

2.1 UBS 9 Assembly - C00404 R00



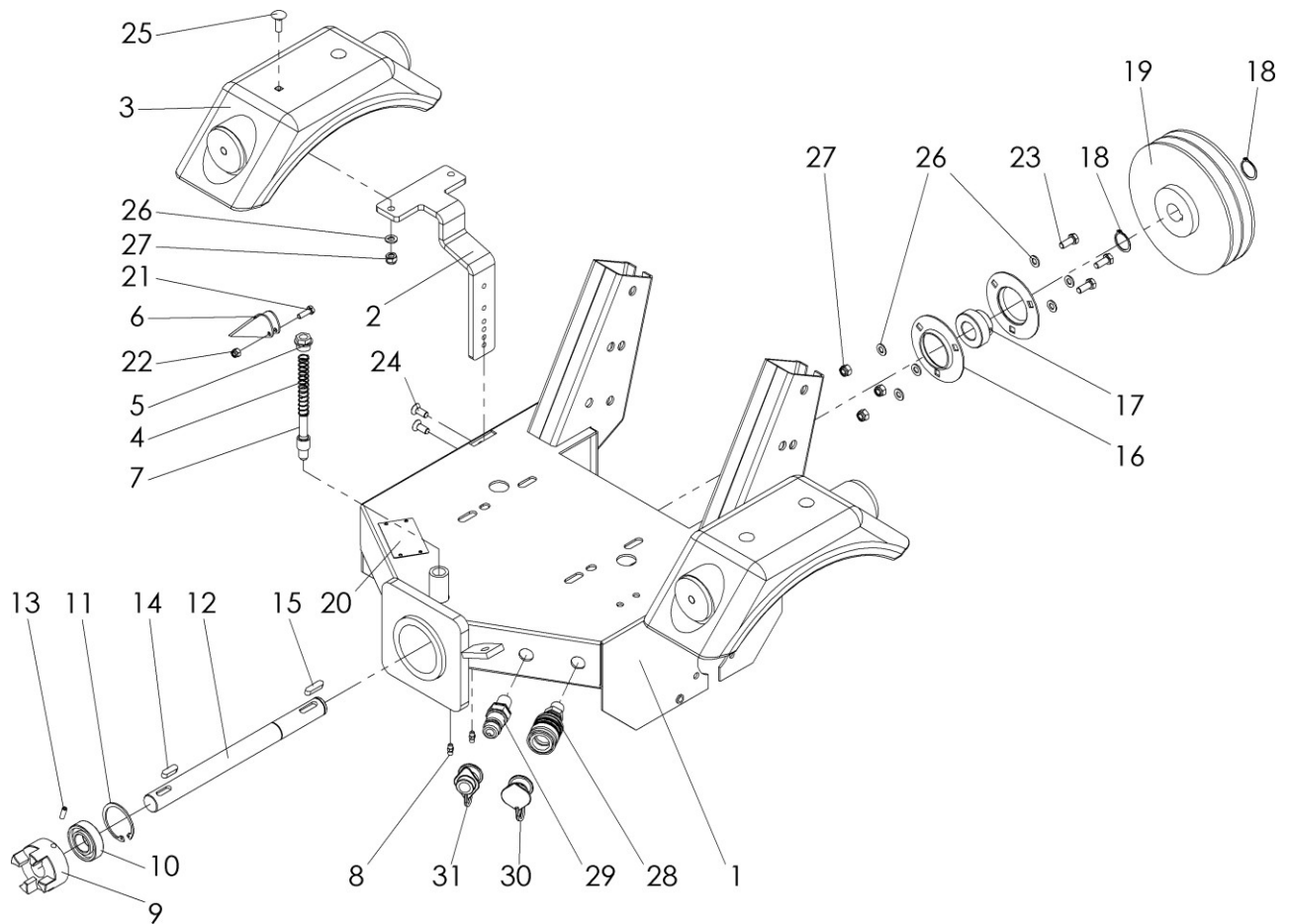
## Spare part list

---

No.	Art.- Num.	Num.	Designation
1	767 000 124	1	threaded rod
2	905 320 010	2	shim
3	767 000 121	2	Rifle
4	C00331	1	Underbody protection for UDS 70
5	C00308	1	Hood
6	905 108 000	16	Washer
7	905 008 000	4	spring washer
8	901 008 020	10	Hexagon screw
9	905 112 000	10	Washer
10	901 012 080	4	Hexagon screw
11	900 012 002	3	Stoppmutter
12	943 559 006	4	cap
13	900 012 003	2	Hutmutter
14	905 110 000	7	Washer
15	905 010 000	2	spring washer
16	901 810 025	2	Cyl.-screw with inner.-Skt.
17	905 206 018	10	K-disc
18	905 006 000	5	spring washer
19	901 006 020	7	Hexagon screw
20	901 112 110	1	Hexagon screw
21	900 008 002	6	Stoppmutter
22	901 010 045	4	Hexagon screw
23	905 210 000	4	K-disc
24	900 010 002	4	Stoppmutter
25	901 006 016	1	Hexagon screw
26	900 006 002	2	Stoppmutter
27	C00510	1	front cover
28	900 012 017	2	ring nut
29	905 012 000	2	spring washer
30	C00881	1	Holder parking support
31	700 100 155	1	parking support
32	941 200 106	1	clamping lever
33	943 125 252	1	protective cap

## Spare part list

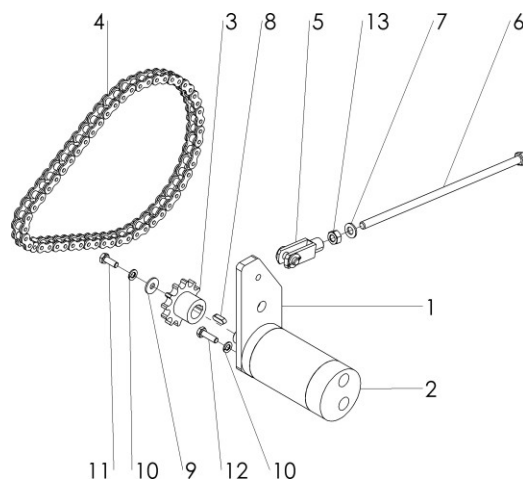
### 2.2 Basic housing UDS 70 - C00236 R01



No.	Art.-Num.	Num.	Designation	Num	Art.-Num.	Num	Designation
1	C00232	1	Basic housing UDS 70	17	924 100 205	1	ball-bearing
2	C04443	2	Holder fender	18	905 925 000	2	Circlip outside
3	926 900 002	2	fender	19	C00677	1	pulley
4	909 100 189	1	compression spring	20	On demand	1	nameplate
5	700 000 171	1	Screw	21	901 005 020	1	Hexagon screw
6	700 000 172	1	safety lever	22	900 005 002	1	Stoppmutter
7	700 000 170	1	locking pin	23	901 008 020	3	Skt.-screw without shank
8	910 006 000	2	grease nipple				
9	925 301 025	1	coupling claw	24	901 208 020	4	Countersunk screw with inner socket.
10	924 106 205	1	Deep groove ball bearings				
11	906 000 520	1	Circlip inside	25	901 908 025	4	carriage bolt
12	700 000 026	1	drive shaft	26	905 108 000	10	Washer
13	902 306 020	1	grub screw	27	900 008 002	7	Stoppmutter
14	908 008 725	1	Adjusting spring	28	932 261 223	1	Schott sleeve
15	908 008 730	1	Adjusting spring	29	932 161 323	1	Schott plug
16	924 200 205	2	bearings	30	932 391 022	1	Hydraulic protective cap
				31	932 391 032	1	Hydraulic protective cap

## Spare part list

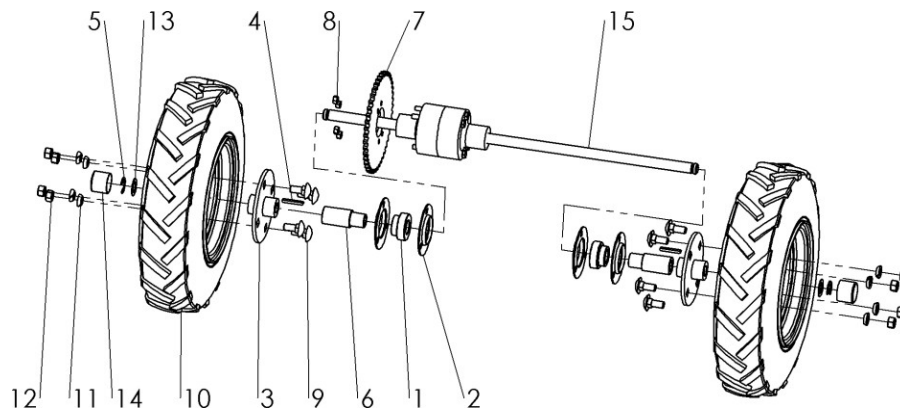
### 2.3 Travel drive UDS 70 Assembly - C00237 R00



No.	Art.-Num.	Num.	Designation
1	700 000 035	1	Motor holder
2	935 101 040	1	Hydraulic motor 40
3	920 401 012	1	Sprocket Z12
4	920 101 648	1	drive chain
5	908 408 032	1	yoke
6	C00202	1	tension rod
7	905 108 000	1	Washer
8	908 005 516	1	Feather key A5x5x16
9	905 206 018	1	K-disc
10	905 006 000	4	spring washer
11	901 006 016	1	Hexagon screw
12	901 006 020	3	Hexagon screw
13	900 008 001	1	Hexagon nut

## Spare part list

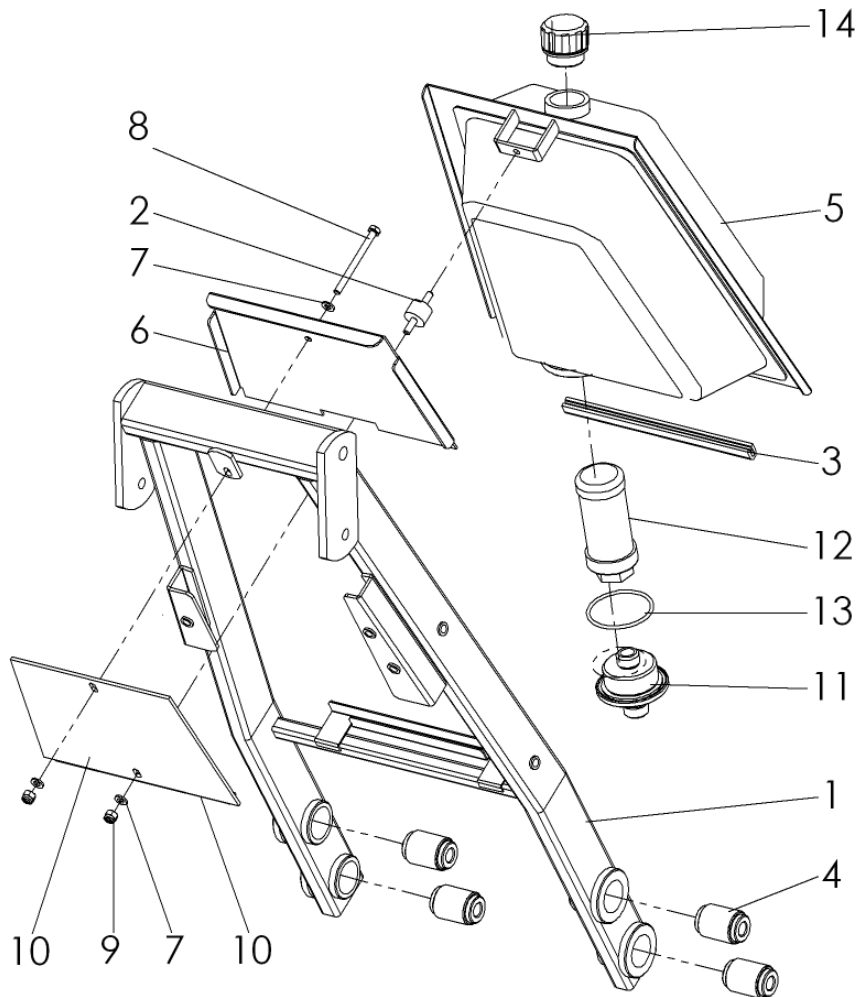
### 2.4 Differential axle with side drive - C00361 R00



No.	Art.-Num.	Num.	Designation
1	924 100 205	2	ball-bearing
2	924 200 205	4	Cups set
3	700 000 022	2	wheel hub
4	908 047 440	2	Adjusting spring
5	905 820 000	2	Benzingring
6	700 000 021	2	bearing bush
7	920 501 145	1	Sprocket
8	900 008 016	4	Hexagon-inch nut
9	901 912 030	8	carriage bolt
10	s. tire list	2	tire
11	905 712 000	8	Limes ring
12	900 010 101	8	Hexagon nut
13	905 320 010	2	shim
14	943 300 035	2	Protective cap wheel cap
15	922 001 000	1	differential axle



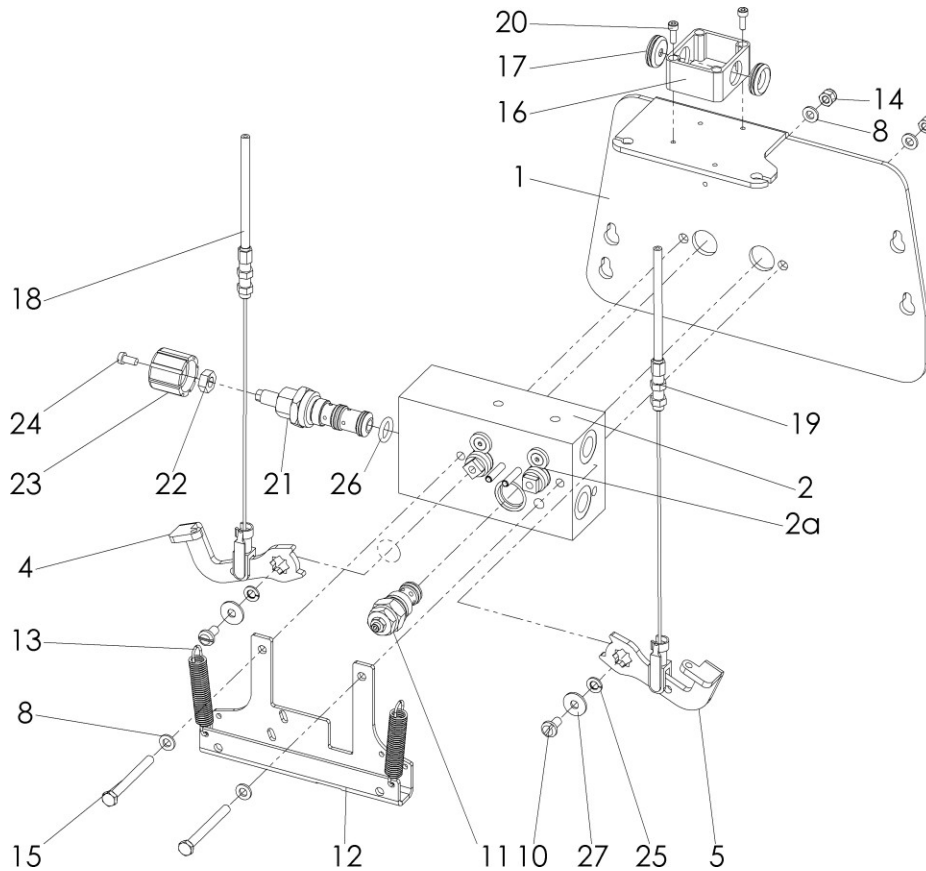
### 2.5 Guide rail & tank - C00176 R00



No.	Art.-Num.	Num.	Designation
1	C00081	1	Guide rail short
2	911 006 015	1	Rubber-metal buffer
3	767 000 147	1	Edge protection for tank
4	911 301 244	4	vibrator
5	771 000 010	1	small tank
6	771 000 011	1	Cover for small tank
7	905 106 000	3	Washer
8	901 006 060	1	Hexagon screw
9	900 006 002	2	Stoppmutter
10	C00161	1	Cover for upper tank attachment
11	110 000 135	1	Filter carrier in the tank
12	937 200 010	1	filter element
13	937 158 003	1	O-ring
14	931 200 042	1	bleed screw

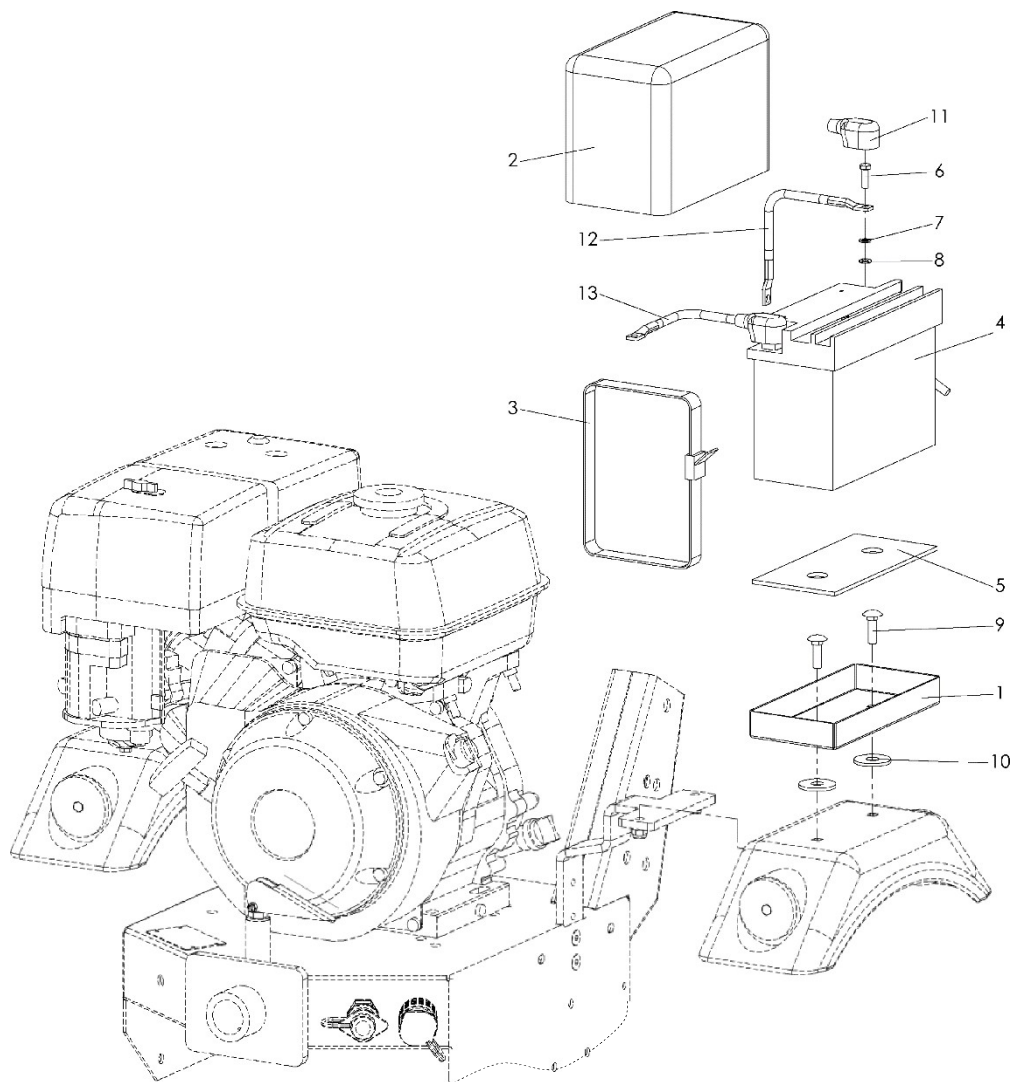
## Spare part list

### 2.6 Hydraulic control with control valve - C00003 R01



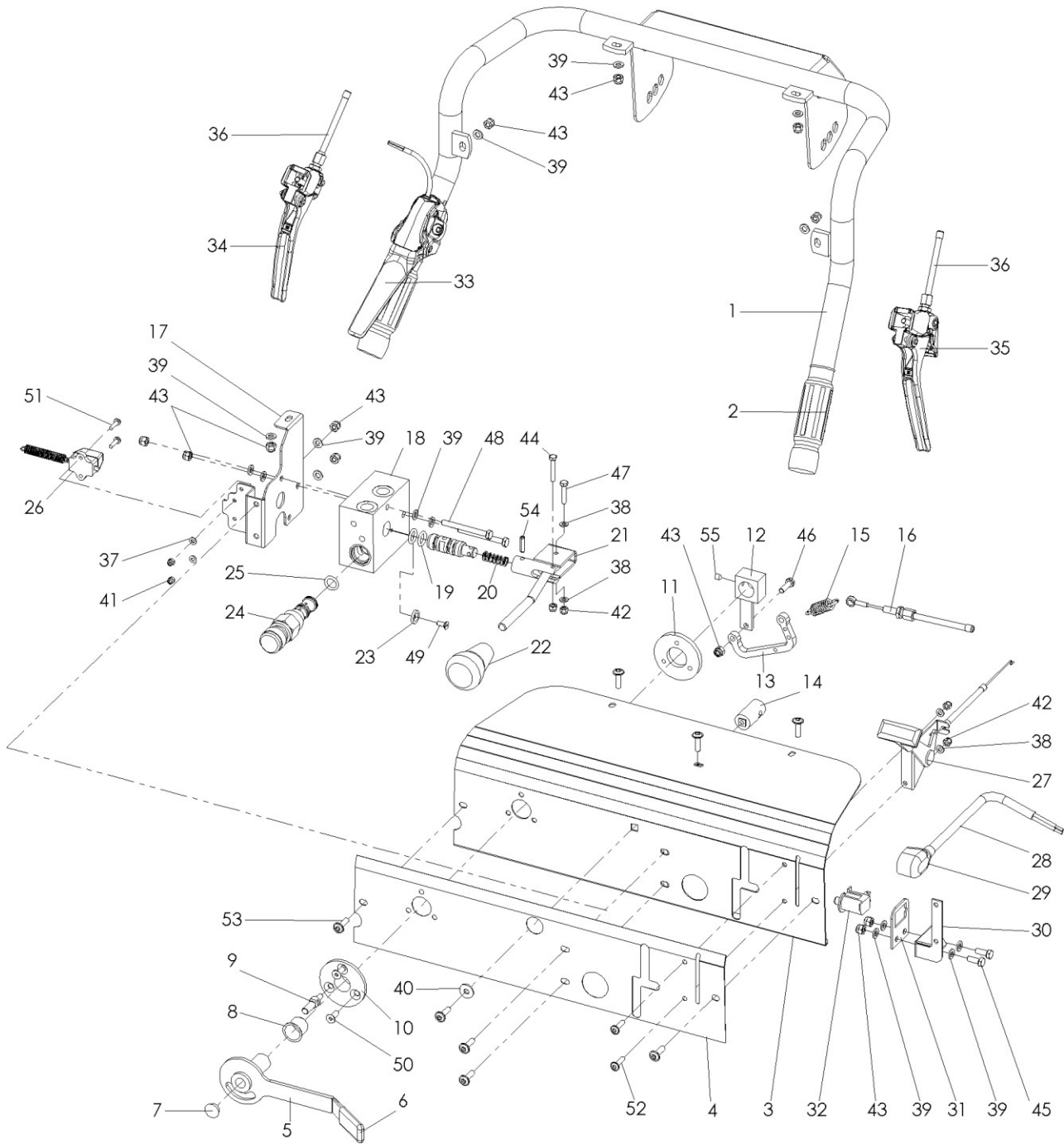
No.	Art.-Num.	Num.	Designation
1	700 500 051	1	Anbauplatte
2	769 000 020	1	Driving & PTO valve with control cartridge compl.
2a	937 125 031	1	Seal kit for pistons
4	769 300 010	1	Swingarm left for pistons
5	769 300 020	1	Rocker right for pistons
6	907 350 036	2	dowel pin
7	936 401 001	2	handguard
8	905 106 000	4	Washer
9	901 205 012	2	Countersunk screw with inner-Skt
10	903 920 612	2	Flat head screw with slot
11	936 500 534	1	Pressure relief valve
12	C00022	1	Valve carrier with simple electric switch
13	909 200 124	2	mainspring
14	900 006 002	2	Stoppmutter
15	901 006 060	2	Skt. Screw with shank
16	767 000 123	1	wiring box
17	908 706 667	2	cable grommet
18	s. operator	1	Bowden cable for PTO
19	s. operator	1	Bowden cable for travel drive
20	901 804 012	2	Cylinder head screw m. Allen
21	936 202 075	1	control cartridge
22	900 005 001	1	Hexagon nut
23	941 400 015	1	Knob / blue
24	901 705 010	1	Cheese head screw
25	905 006 000	2	spring washer
26	937 300 075	1	Seal kit for control cartridge
27	905 206 025	2	K-disc

2.7 E-Start for K- Serie - C04777 R00



No.	Art.-Num.	Num.	Designation
1	C04722	1	battery box
2	960 031 001	1	battery cover
3	960 031 000	1	battery tape
4	960 011 220	1	Battery 12V 20 Ah
5	700 000 305	1	battery edition
6	901 006 020	2	Skt.-screw without shank
7	905 006 000	2	spring washer
8	900 106 000	2	Washer
9	901 908 025	2	carriage bolt
10	905 212 001	2	K-disc
11	960 041 000	2	polar cap
12	960 021 470	1	Battery cable (-)
13	960 021 350	1	Battery cable (+)

2.8 Control panel C00878 R01



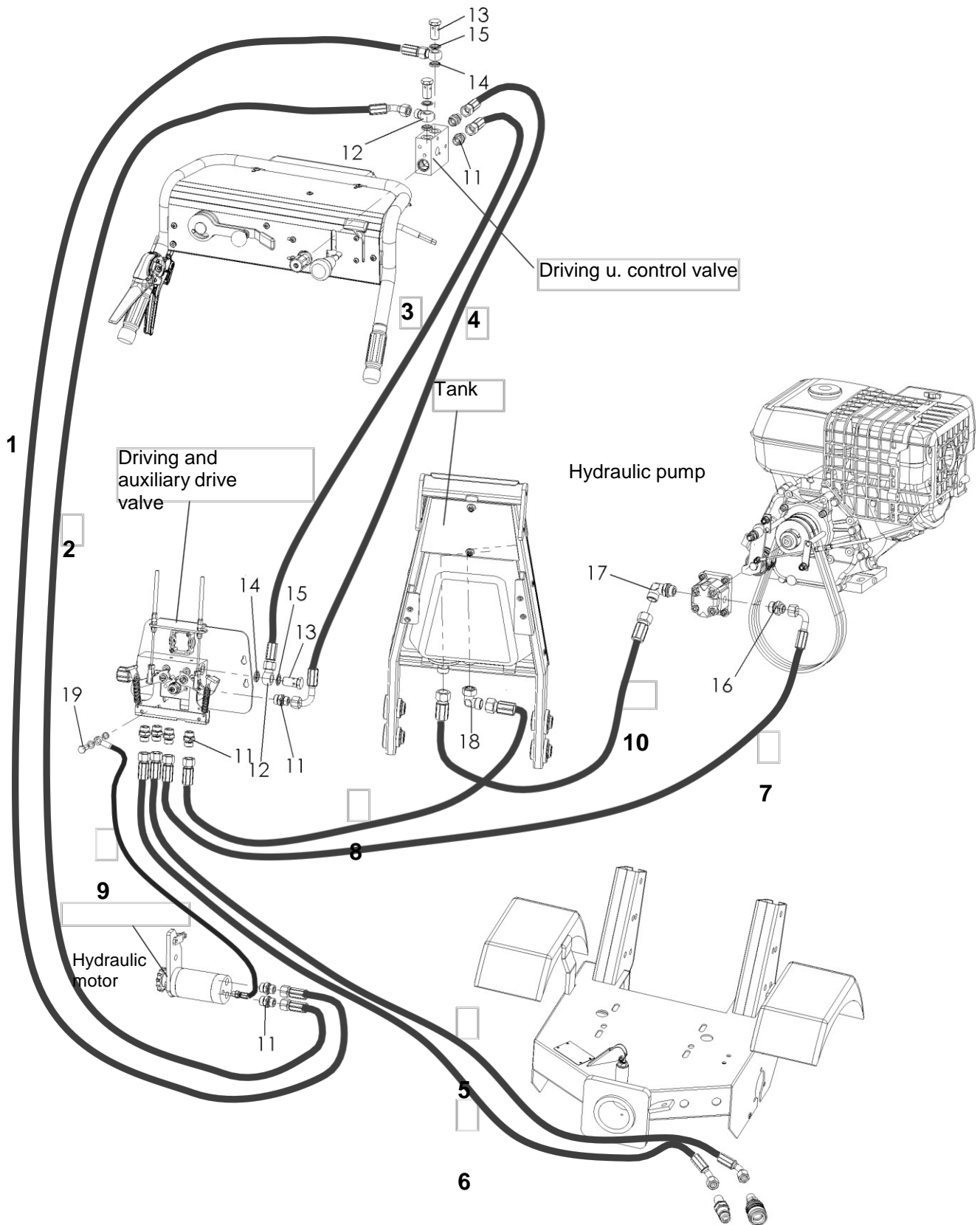
## Spare part list

No.	Art.-Num.	Num.	Designation
1	C00042	1	hand Holm
2	941 908 015	2	handle
3	C02318	1	operator
4	950 900 019	1	control panel overlay
5	C00049	1	PTO lever
6	941 900 050	1	diving cap
7	943 700 014	1	Blind plug, black
8	915 021 020	1	bearings
9	C00057	1	Stop bolts for PTO lever
10	767 000 004	1	Rosette
11	C00058	1	Screw plate for rosette
12	C00053	1	Swivel arm for easy PTO lever
13	C00054	1	Umlenkhebel
14	C02764	1	bowden cable
15	909 100 162	1	mainspring
16	941 050 141	1	Bowden cable PTO
17	C00044	1	Valve holder for diverter valve
18	C00754	1	Driving with control valve
19	937 125 031	1	Seal kit for pistons
20	909 100 192	1	compression spring
21	C00045	1	Driving lever & driving lever joint
22	941 264 510	1	Mushroom handle, long
23	936 401 001	1	handguard
24	936 202 076	1	control cartridge
25	936 202 077	1	Seal kit for control cartridge
26	941 102 766	1	Brake light switch compl.
27	941 920 133	1	Gas lever LGS long
28	C00524	1	Cable 2-wire
29	960 041 000	1	polar cap
30	C00056	1	Wiper plate for safety switch

No.	Art.-Num.	Num.	Designation
31	767 000 143	1	Switch maintenance sheet
32	941 903 000	1	Start safety switch
33	941 801 001	1	Dead man's lever with clamp
34	941 750 702	1	Lever without catch
35	941 750 002	1	Lever with catch
36	941 750 703	2	Bowden
37	905 104 000	2	Washer
38	905 105 000	4	Washer
39	905 106 000	15	Washer
40	905 206 018	1	K-disc
41	900 004 002	2	Stoppmutter
42	900 005 002	4	Stoppmutter
43	900 006 002	12	Stoppmutter
44	901 005 030	1	Skt.-screw without shank
45	901 006 016	2	Skt.-screw without shank
46	901 006 020	1	Skt.-screw without shank
47	901 105 025	1	Skt. Screw with shank
48	901 006 060	2	Skt. Screw with shank
49	901 205 012	1	Countersunk screw with inner socket.
50	901 206 016	2	Countersunk screw with inner Skt.
51	903 604 016	2	Phillips screw with Phillips
52	903 905 020	2	Linsenkopfschraube with Innenskt.
53	903 906 020	8	Linsenkopfschraube with Innenskt.
54	907 350 020	1	dowel pin
55	902 306 008	1	grub screw

# Spare part list

## 2.9 Hydraulic kit UBS 9 - C00508 R00

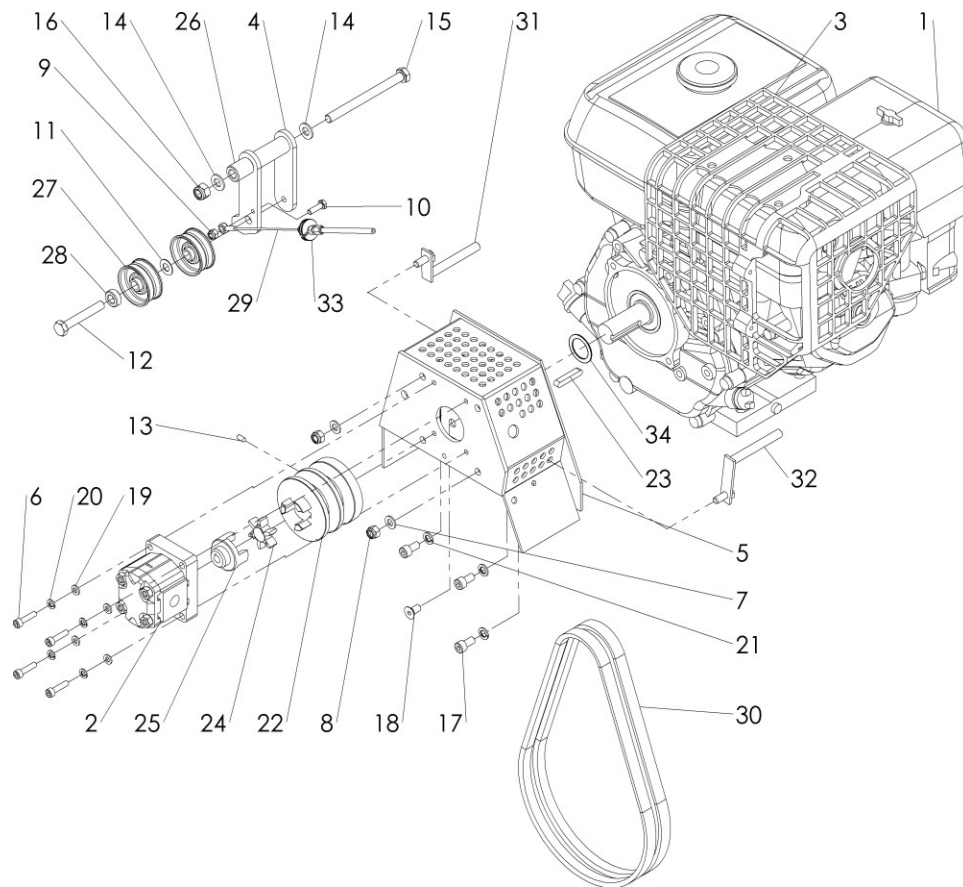


## Spare part list

No.	Art.-Num.	Num.	Designation
1	930 464 017	1	hydraulic hose
2	930 464 018	1	hydraulic hose
3	930 700 004	1	hydraulic hose
4	930 764 008	1	hydraulic hose
5	930 764 003	1	hydraulic hose
6	930 764 004	1	hydraulic hose
7	930 700 010	1	hydraulic hose
8	930 764 006	1	hydraulic hose
9	930 767 019	1	Leakage oil pipe 8L
10	930 764 007	1	hydraulic hose
11	931 071 238	9	Hydraulic connection
12	931 111 238	2	ferrule union
13	931 261 038	3	Hohlschraube
14	937 101 038	3	Edge sealing ring
15	937 117 015	3	seal
16	931 071 212	1	Hydraulic connection
17	931 111 512	1	Hydraulic connection
18	931 061 500	1	Hydraulic connection
19	931 261 118	1	Banjo bolt 1/8 inch including sealing edge ring and copper ring

## Spare part list

### 2.10 Honda GX270 with gear pump – C00359 R00



No.	Art.-Num.	Num.	Designation
1	920 000 002	1	Internal combustion engine GX 270 without E-Start
2	934 110 037	1	Hydraulic pump, compl.
3	920 803 074	1	Exhaust grille
4	700 100 042	1	Tensioner holder
5	C00542	1	Pump holder for gear pump
6	901 806 025	4	Cyl.-screw with Innenskt.
7	905 108 000	2	Washer
8	900 008 002	2	Stoppmutter
9	900 006 002	1	Stoppmutter
10	901 006 020	1	Hexagon screw
11	906 210 201	1	Shim
12	902 738 212	1	Hexagon screw
13	902 305 012	1	Grub screw
14	905 110 000	2	Washer
15	901 110 120	1	Hexagon screw
16	900 010 002	1	Stoppmutter
17	901 808 020	3	Cyl.-screw with Innenskt.

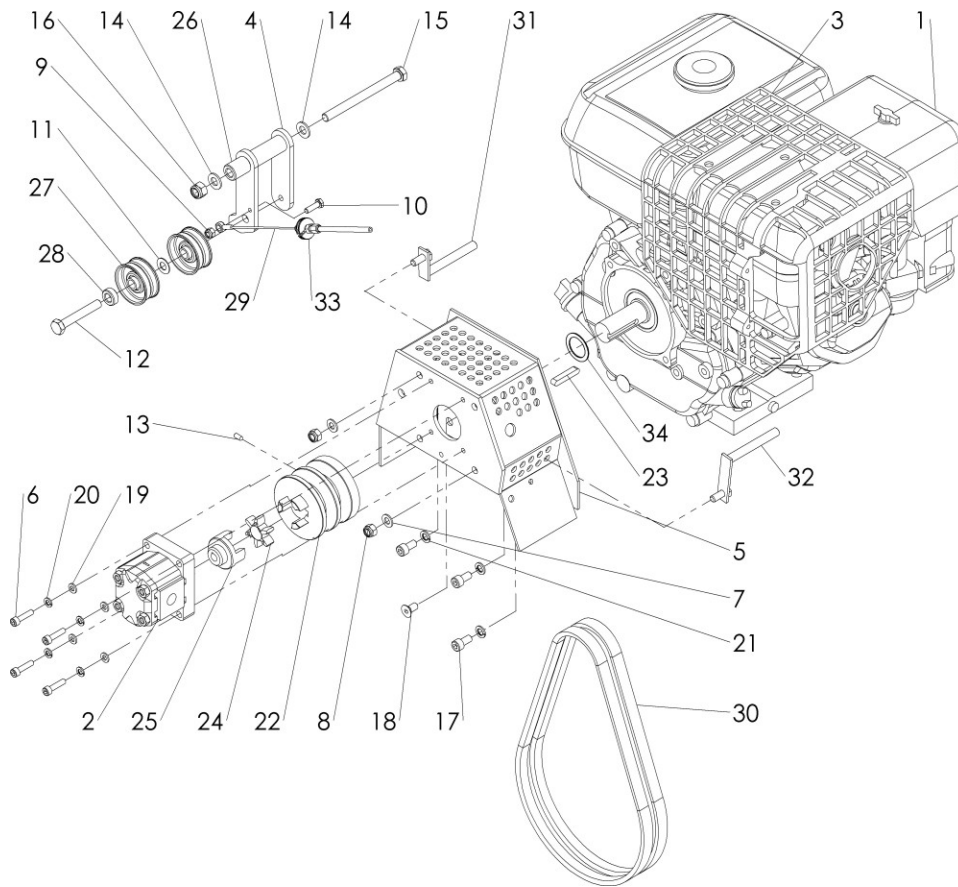
No.	Art.-Num.	Num.	Designation
18	901 208 016	1	Senkkopfschr. with interior.
19	905 106 000	4	Washer
20	905 006 000	4	spring washer
21	905 008 000	3	spring washer
22	925 104 025	1	pulley
23	908 007 740	1	Adjusting spring
24	925 202 098.9	1	coupling driver
25	925 203 127	1	Clutch hub, pump side
26	705 205 026	1	Distanzbuchse
27	921 313 718	2	idler
28	705 205 008	1	Distanzbuchse
29	s.operat or	1	Bowden
30	921 100 872	1	V-belt set
31	702 000 038	1	V-belt retractor short 80 lg.
32	702 000 037	1	V-belt keepers long
33	C00529	1	fixation plate
34	905 326 361	1	Distanzscheibe



## Spare part list

---

### 2.11 Honda GX270 with gear pump and electric start – C00409 R00



## Spare part list

No.	Art.-Num.	Num.	Designation
1	920 000 004	1	Internal combustion engine GX 270 with electric start
2	934 110 037	1	Hydraulic pump, compl.
3	920 803 074	1	Exhaust grille
4	700 100 042	1	Tensioner holder
5	C00542	1	pump holder
6	901 806 025	4	Cyl.-screw with Innenskt.
7	905 108 000	2	Washer
8	900 008 002	2	Stoppmutter
9	900 006 002	1	Stoppmutter
10	901 006 020	1	Hexagon screw
11	906 210 201	1	shim
12	902 738 212	1	Hexagon screw
13	902 305 012	1	grub screw
14	905 110 000	2	Washer
15	901 110 120	1	Hexagon screw
16	900 010 002	1	Stoppmutter
17	901 808 020	3	Cyl.-screw with Innenskt.

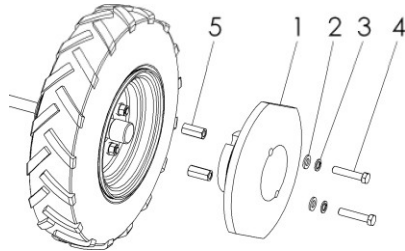
No.	Art.-Num.	Num.	Designation
18	901 208 016	1	Senkkopfschr. with interior.
19	905 106 000	4	Washer
20	905 006 000	4	spring washer
21	905 008 000	3	spring washer
22	925 104 025	1	pulley
23	908 0007 740	1	Adjusting spring
24	925 202 098.9	1	coupling driver
25	925 203 127	1	Clutch hub, pump side
26	705 205 026	1	Distanzbuchse
27	921 313 718	2	idler
28	705 205 008	1	Distanzbuchse
29	s.operator	1	Bowden
30	921 100 872	1	V-belt set
31	702 000 038	1	V-belt retractor short 80 lg.
32	702 000 037	1	V-belt retainer long 80 lg.
33	C00529	1	fixation plate
34	905 326 361	1	spacer

## Spare part list

---

### 3 Accessories

#### 3.1 Wheel Weights - C00122 R00 Status: 09.10.2010



No.	Art.-No.	Num.	designation
1	945 104 008	2	Wheel weight
2	905 112 000	4	Washer
3	905 012 000	4	spring washer
4	901 012 060	4	Hexagon screw
5	902 812 040	4	threaded sleeve

## Spare part list

### 4 Others

#### 4.1 Tire and wheel hub list - D00001 R02

Type	Wheel size	Rire tread	Art.-No.	Wheel hub Art.-No.	Wheel hub for parking brake Item No.	Wheel Motor Art.
K 820	4.00-8	Block	926 141 408	712 000 022	-	-
	4.00-8	Field studs	926 110 408	712 000 022	-	-
K 1500	4.00-8	Block	926 140 408	700 000 022	-	-
K 2000	4.00-8	Field studs	926 110 408	700 000 022	-	-
K 2100	16x6.50-8	Block	926 130 168	700 000 023	-	-
	16x6.50-8	Field studs	926 110 168	700 000 023	-	-
UBS Easy	4.00-8	Block	926 140 408	700 000 022	-	-
	4.00-8	Field studs	926 110 408	700 000 022	-	-
	16x6.50-8	Block	926 130 168	700 000 023	-	-
	16x6.50-8	Field studs	926 110 168	700 000 023	-	-
UBS Hydro	4.00-8	Block	926 140 408	767 410 006	767 000 141	935 102 315
	4.00-8	Field studs	926 110 408	767 410 006	767 000 141	935 102 315
	5.00-10	Field studs	926 110 510	767 410 006	767 000 141	935 102 315
	16x6.50-8	Block	926 130 168	767 187 006	767 000 142	935 102 315
	16x6.50-8	Field studs	926 110 168	767 187 006	767 000 142	935 102 315
	18x7.00-8	Field studs	926 110 187	767 187 006	767 000 142	935 102 315
UBS Master	18x9.50-8	Field studs	926 110 188	-	C00976	935 101 400
	21x11.00-8	Field studs	926 111 108	-	C00976	935 101 400
		-				
UBS Alpin	18x9.50-8	Field studs	926 110 188	-	C00976	935 101 400
	21x11.00-8	Field studs	926 111 108	-	C00976	935 101 400
Rough Cutter	4.00-10	Field studs	926 110 410	767 410 006	767 000 141	935 102 315
	5.00-10	Field studs	926 110 510	767 410 006	767 000 141	935 102 315
	18x9.50-8	Field studs	926 110 188	767 189 006	767 000 129	935 103 400
	21x11.00-8	Field studs	926 111 108	767 189 006	767 000 129	935 103 400
Verti Cutter	4.00-10	Field studs	926 110 410	767 410 006	-	-
	18x7.00-8	Field studs	726 110 187	767 187 006	-	-
Safety Cutter	18x9.50-8	Field studs	926 110 188	767 189 006	767 000 129	935 103 400
	21x11.00-8	Field studs	926 111 108	767 189 006	767 000 129	935 103 400
Tiller	16x6.50-8	Field studs	926 110 168	760 000 024	-	-
Vento	4.00-8	Block	926 140 484	700 000 022	-	-
	4.00-8	Field studs	926 130 408	700 000 022	-	-
	16x6.50-8	Block	926 130 168	700 000 023	-	-
Vela	16x6.50-8	Block	926 130 168	700 000 023	-	-







# **Kersten**

**SITE MAINTENANCE EQUIPMENT**

Distributed in UK by  
**Kersten (UK) Ltd Tel. 0118 986 9253**

Progress House  
39 Boulton Road Reading, RG2 0NH  
www.kerstenuk.com - [info@kerstenuk.com](mailto:info@kerstenuk.com)