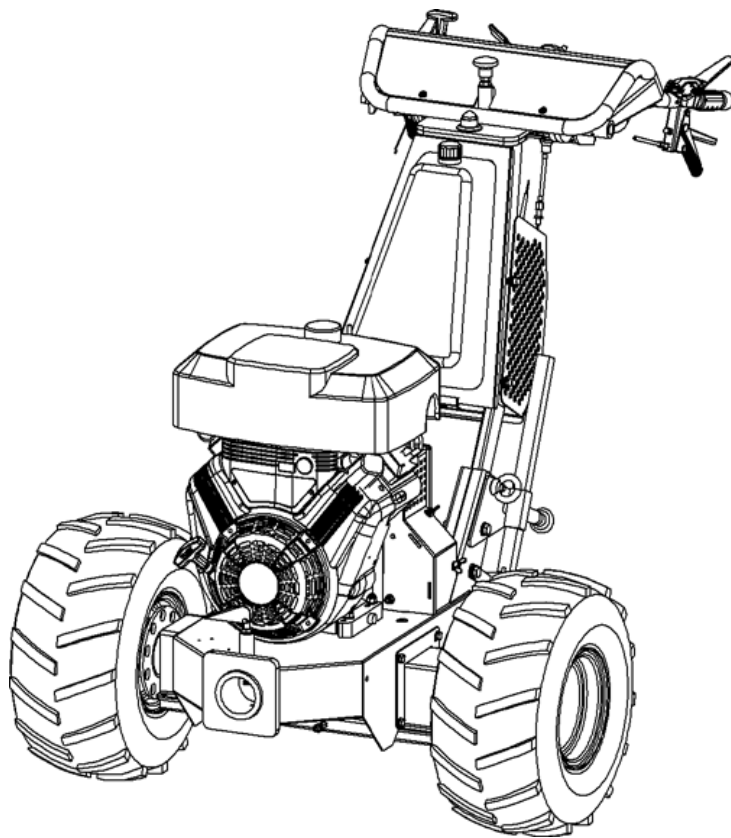




**Spare part list**  
**Hydrostatic Two Wheel Tractor**  
**UBS Master 18**  
**Model G - GE**



Order number: E00001      From machine No:      Rev.: 07      Stand: 11.01.2016



Manufactured by  
**Kersten Arealmaschinen GmbH**  
Empeler Straße 95  
D - 46459 Rees  
[www.kersten-maschinen.de](http://www.kersten-maschinen.de)



Distributed in UK by  
**Kersten (UK) Ltd** Tel. 0118 986 9253  
Progres House  
39 Boulton Road Reading, RG2 0NH  
[www.kerstenuk.com](http://www.kerstenuk.com) - [info@kerstenuk.com](mailto:info@kerstenuk.com)

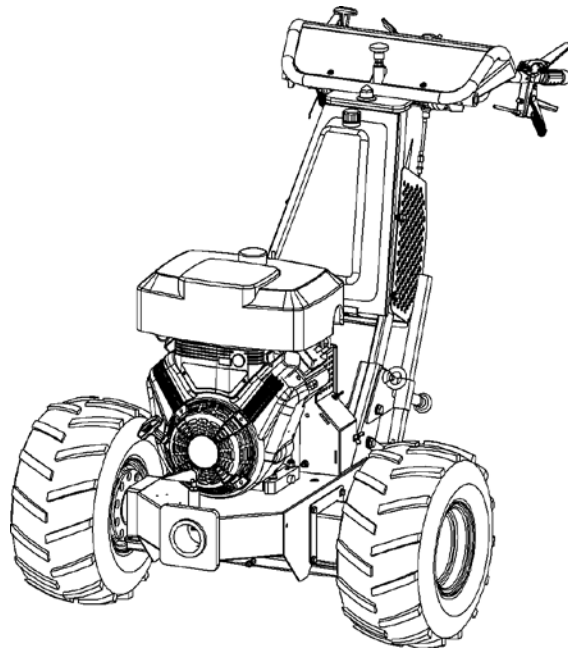
# Table of Contents

---

## Table of Contents

<b>1</b>	<b>MODEL OVERVIEW .....</b>	<b>2</b>
1.1	UBS MASTER 18 G – C01115 R03.....	2
1.2	UBS MASTER 18 GE – C01116 R03 .....	2
<b>2</b>	<b>ASSEMBLY OVERVIEW .....</b>	<b>3</b>
2.1	UBS MASTER & ALPIN 18 - Assembly - C01312 R01 .....	3
2.2	BASIC CASE - C01223 R02.....	4
2.3	TRANSMISSION LEVEL FOR UBS MASTER - C01441 R02.....	6
2.4	GUIDEHOLM WITH SWIVEL COSOLE & TANK -C02681 R00.....	9
2.5	HYDRAULIC CONTROL - C00589 R02.....	11
2.6	USER CONSOLE FOR UBS MASTER & ALPINE - C01269 R02 .....	12
2.7	HYDRAULIC KIT FOR UBS MASTER - C00728 R02 .....	14
2.8	REMOVAL SUPPORT FOR UBS MASTER & ALPINE - C01324 R00.....	16
2.9	E-START FOR UBS MASTER & ALPIN - C00808 R01 .....	17
2.10	LEVERAGE MECHANISM FOR FEEDBACK BRAKES ON THE GUIDE - C02423 R00 .....	18
2.11	INTAKE CHAMBER FOR B & S MOTOR VANGUARD 18HP - C03180.....	19
2.12	INTAKE CHAMBER FOR B & S MOTOR VANGUARD 14 - 16 HP - C03181 .....	19
<b>3</b>	<b>OTHERS.....</b>	<b>20</b>
3.1	TIRE AND WHEEL HUB LIST - D00001 R02.....	20

**1 Model Overview**



**1.1 UBS Master 18 G – C01115 R03**

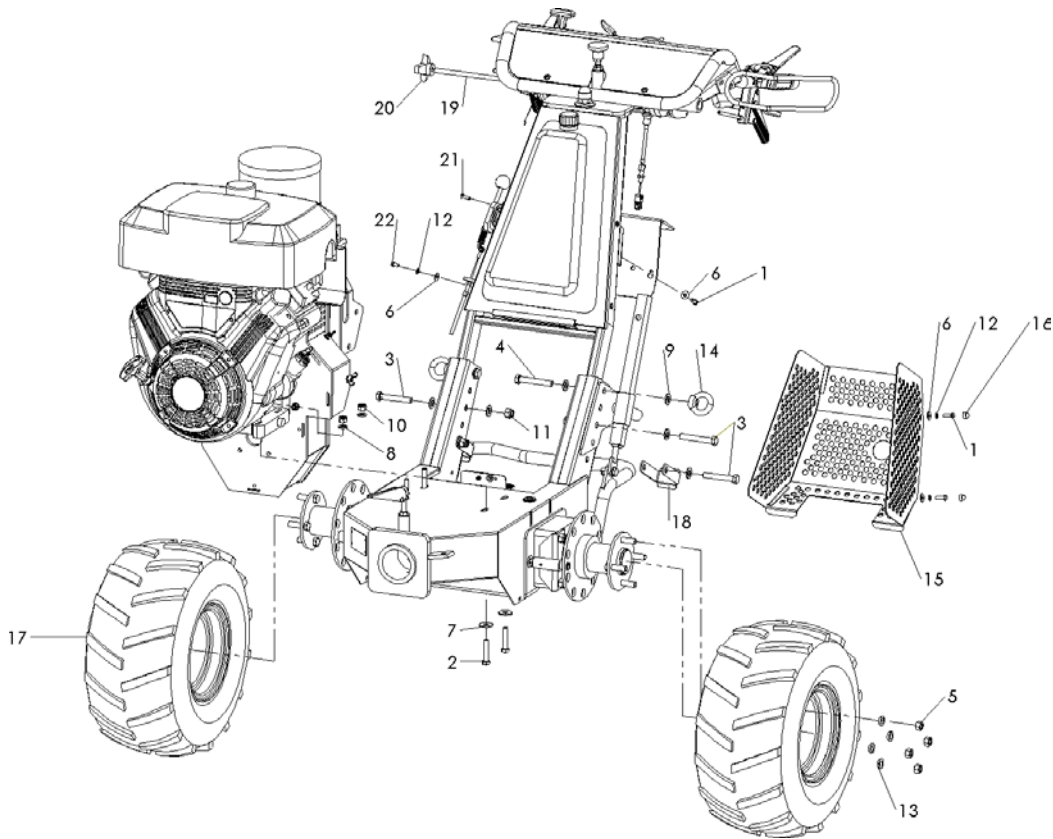
No.	Art.	Num.	Designation
1	C01312 R01	1	UBS Mater & Alpin 18 Assembly
2	920 000 218	1	B & S engine 18 hp without E-Start incl. Silencer
3	C01223 R02	1	Basic housing for UBS Master & Alpin
4	C01441 R02	1	Driveline for UBS Master
5	C02681 R00	1	Guide rail with swivel bracket & tank
6	C00589 R02	1	Hydraulic control hydraulic valve
7	C01269 R02	1	Control console for UBS Master & Alpin
8	C00728 R02	1	Hydraulic kit UBS Master wide version
9	C01324 R00	1	Parking support for UBS Master & Alpin
10	C02423 R00	1	Lever mechanism for FSB

**1.2 UBS Master 18 GE – C01116 R03**

No.	Art.	Num.	Designation
1	C01312 R01	1	UBS Mater & Alpin 18 Assembly
2	920 000 318	1	B & S engine 18 hp with electric start incl. Silencer
3	C01223 R02	1	Basic housing for UBS Master & Alpin
4	C01441 R02	1	Driveline for UBS Master
5	C02681 R00	1	Guide rail with swivel bracket & tank
6	C00589 R02	1	Hydraulic control hydraulic valve
7	C01269 R02	1	Control console for UBS Master & Alpin
8	C00728 R02	1	Hydraulic kit UBS Master wide version
9	C00808 R01	1	E-Start Accessories for UBS Master & Alpine
10	C01324 R00	1	Parking support for UBS Master & Alpin
11	C02423 R00	1	Lever mechanism for FSB

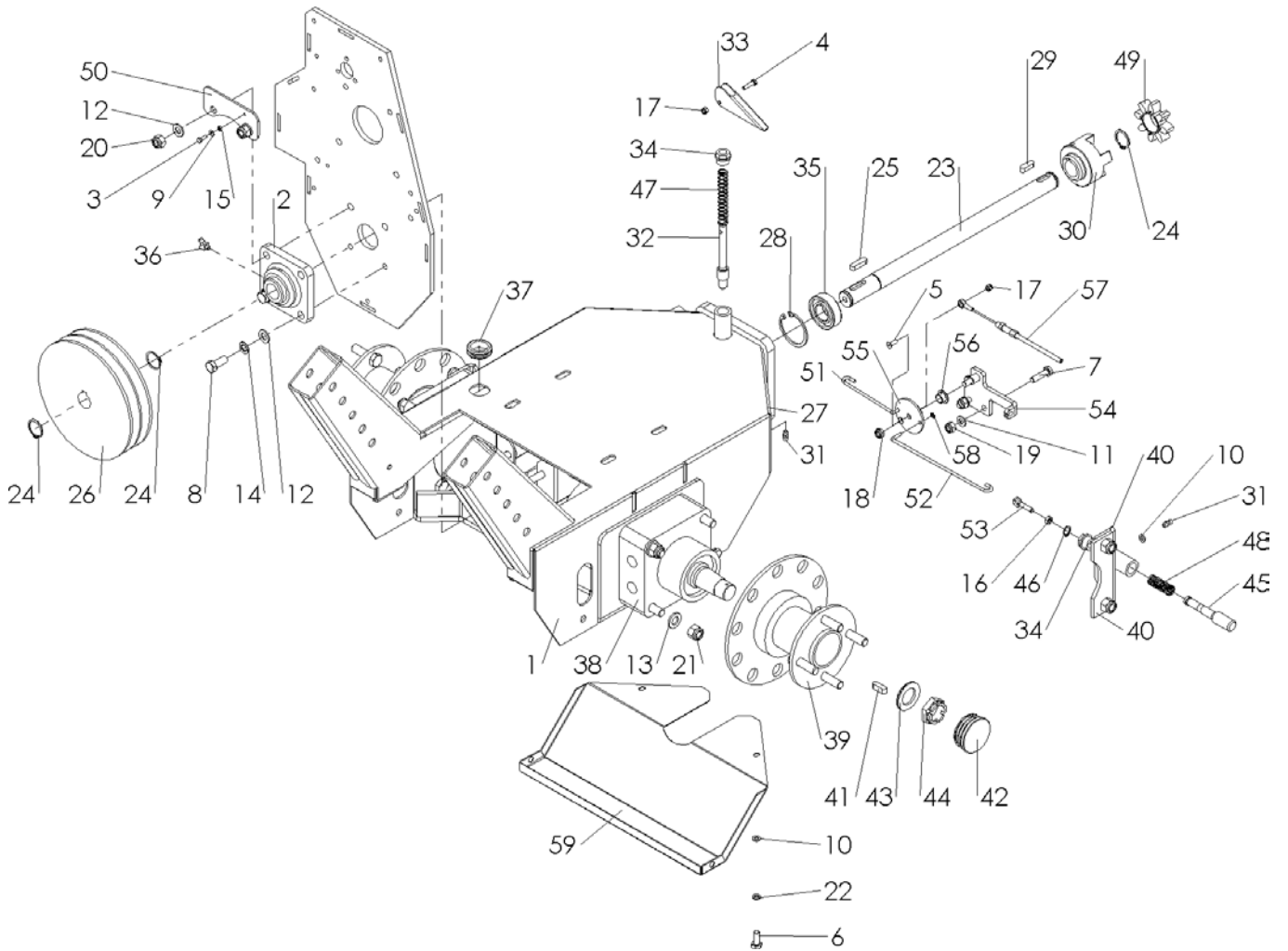
2 Overview of Modules

2.1 UBS Master & Alpin 18 - Assembly - C01312 R01



No.	Art.	Num.	Designation
1	901 006 020	5	Skt.-screw without shank
2	901 110 050	4	Skt. Screw with shank
3	901 112 075	4	Hexagon screw
4	901 112 080	2	Skt. Screw with shank
5	900 012 001	8	Hexagon nut
6	905 206 018	6	K-disc
7	905 210 000	4	K-disc
8	905 110 000	4	Washer
9	905 112 000	12	Washer
10	900 010 002	4	Stoppmutter
11	900 012 002	4	Stoppmutter
12	905 006 000	3	Spring washer
13	905 712 000	8	Limes ring
14	900 012 017	2	Ring nut
15	770 000 020	1	Hood
16	943 559 006	2	Cap
17	See tire list	2	Tire
18	C00804	2	Bracket for hose guide
19	C01260	1	Tension rod
20	941 245 331	1	Three star grip
21	901 206 020	1	Countersunk screw with inner Skt.
22	901 006 012	1	Skt.-screw without shank

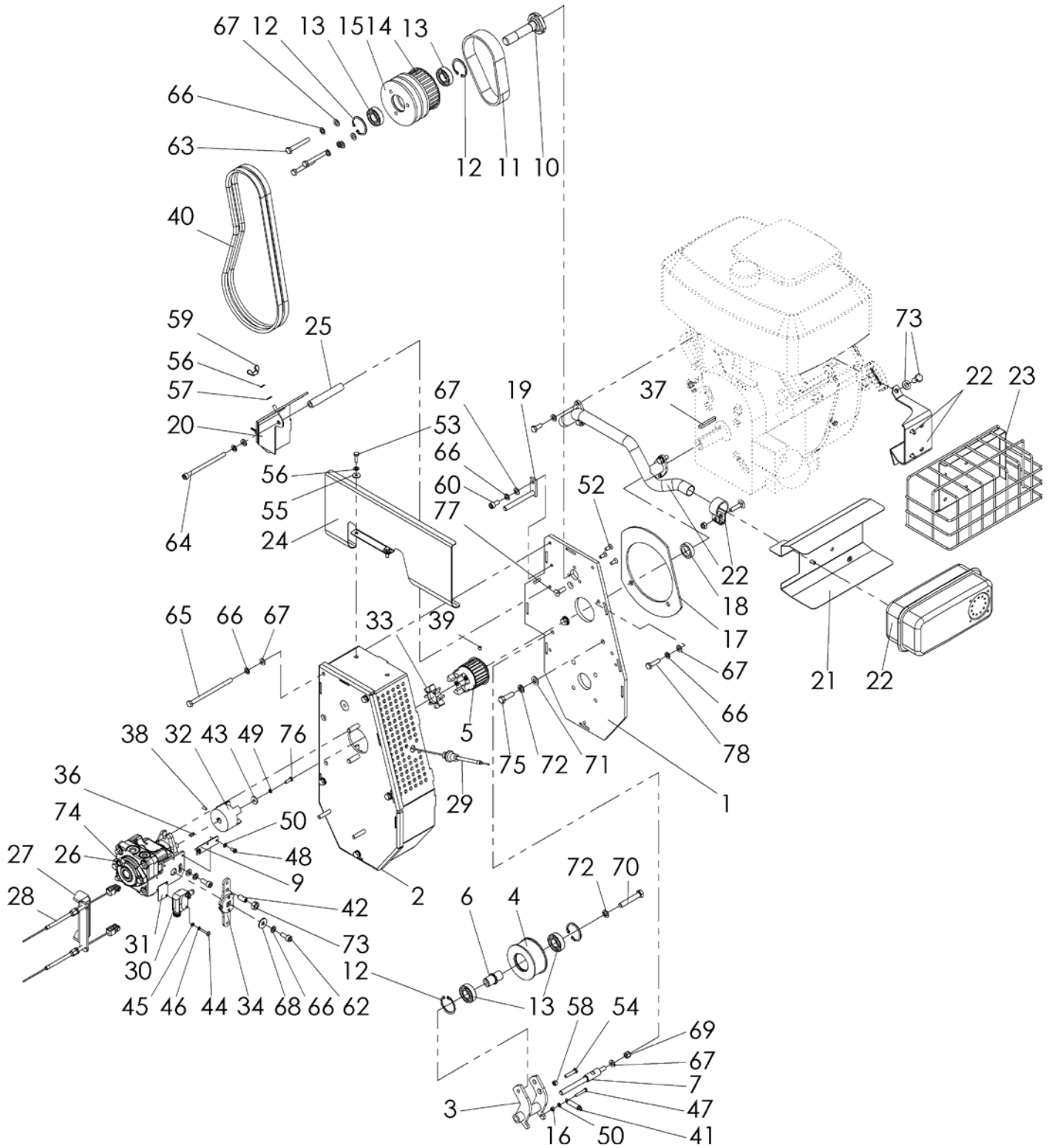
2.2 Basic housing - C01223 R02



No.	Art.	Num.	Designation
1	C01223	1	Headers
2	924 110 205	1	camp
3	901 004 012	1	Skt.-screw without shank
4	901 005 020	1	Skt.-screw without shank
5	901 205 016	1	Countersunk screw with inner-Skt
6	901 008 020	4	Skt.-screw without shank
7	901 008 030	2	Skt.-screw without shank
8	901 010 025	2	Skt.-screw without shank
9	905 104 000	1	Washer
10	905 106 000	6	Washer
11	905 108 000	4	Washer
12	905 110 000	4	Washer
13	905 112 000	4	Washer
14	905 010 000	2	spring washer
15	900 004 001	1	Hexagon nut
16	900 006 001	2	Hexagon nut
17	900 005 002	2	Stoppmutter
18	900 008 002	1	Stop nut, low

No.	Art.	Num.	Designation
19	900 008 002	2	Stoppmutter
20	900 010 002	2	Stoppmutter
21	900 012 002	8	Stoppmutter
22	905 006 000	4	spring washer
23	C00518	1	Power take off shaft
24	905 925 000	3	circlip
25	908 008 730	1	Adjusting spring
26	C00677	1	pulley
27	on demand	1	nameplate
28	906 000 520	1	Circlip inside
29	908 008 725	1	Adjusting spring
30	925 301 025	1	coupling claw
31	910 006 000	4	grease nipple
32	700 000 170	1	locking pin
33	700 000 172	1	safety lever
34	700 000 171	3	Screw
35	924 106 205	1	Deep groove ball bearings
36	910 006 045	1	grease nipple
37	908 706 666	1	cable grommet
38	935 101 400	2	wheel motor
39	C00976	2	Wheel hub with brake disc for FSB
40	C01257	2	Attachment plate for parking brake
41	908 516 254	2	Adjusting spring
42	943 400 055	2	Slat plug for wheel hub
43	906 900 002	2	Locking washers set
44	900 254 012	2	castellated nut
45	C00403	2	Locking studs
46	905 900 111	2	circlip
47	909 100 189	1	compression spring
48	909 100 206	2	compression spring
49	925 302 098.1	1	Clutch driver (green)
50	C01532	1	Mounting plate Return spring
51	C01969	1	Brake linkage short
52	C01970	1	Brake linkage long
53	903 106 030	2	eyebolt
54	C02064	1	Attachment plate with pivot bearing
55	C01861	1	Swivel joint for FSB
56	915 014 009	1	bearings
57	941 050 170	1	Bowden cable parking brake
58	906 911 004	2	lock washer
59	C01968	1	Underbody protection

2.3 Driveline for UBS Master - C01441 R02



## Driveline for UBS Master - C01441 R02

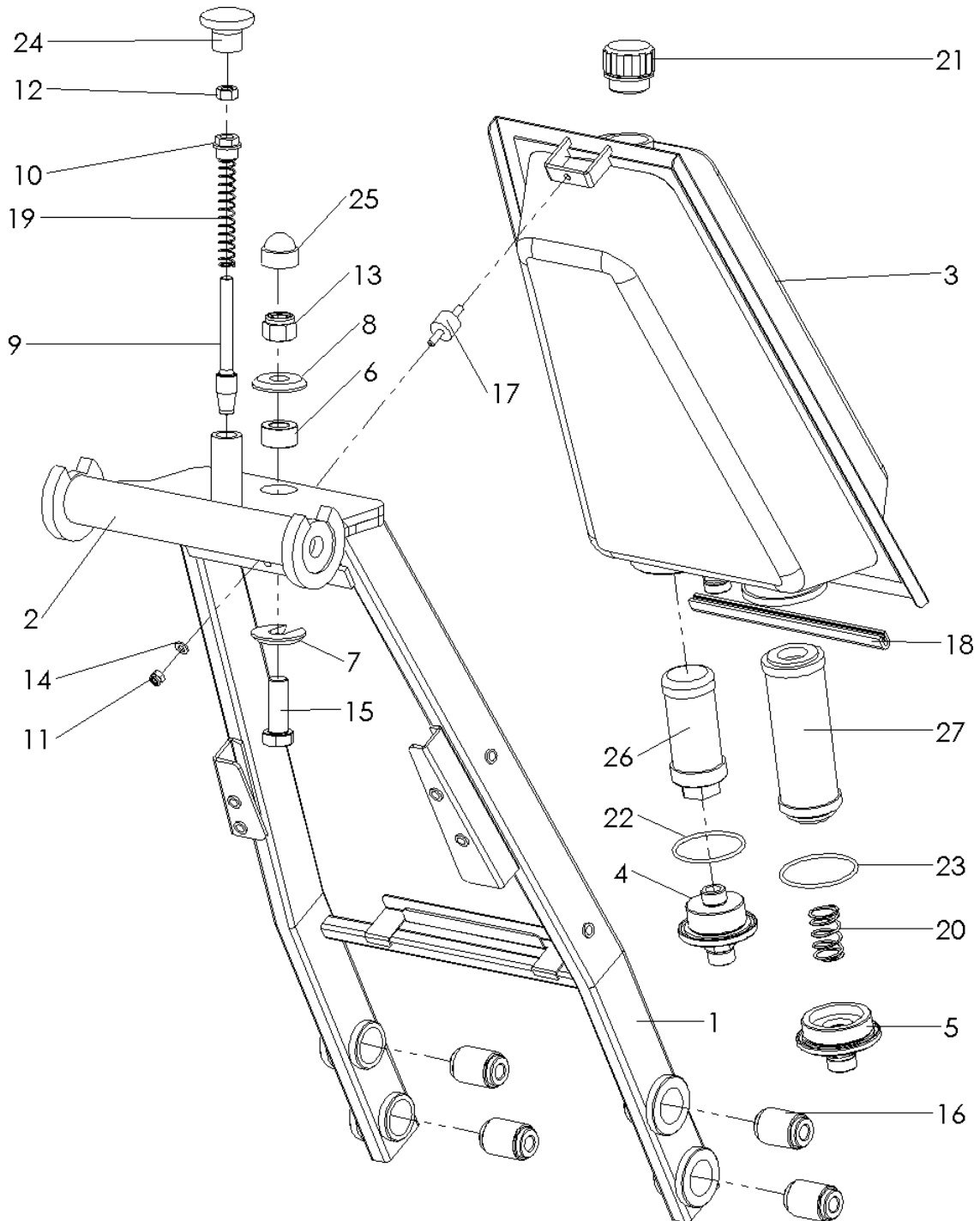
No.	Art.	Num.	Designation
1	C01108	1	Attachment plate for PTO
2	C01110	1	Large front cover for aluminum pump
3	C00471	1	Tensioner holder
4	C00470	1	Idler
5	C01019	1	Tooth disc with Rotex coupling
6	C00439	1	Bearing shaft
7	C00474	1	Fixation shaft for belt tensioner
8	C00482	1	Intermediate sheet laterally
9	C01244	1	Wear plate
10	C00475	1	Power take off shaft
11	921 500 424	1	Toothed belt
12	906 000 420	4	Circlip inside
13	924 106 004	4	Warehouse 2RS
14	C00473	1	Toothed washer
15	C00469	1	Pulley
16	900 005 001	1	Hexagon nut
17	C00477	1	Spacer
18	C00438	1	Distanzbuchse
19	C00802	1	Down device
20	C00481	1	Small forehead cover
21	C01646	1	Heat Shield
22	920 001 007	1	Silencer kit
23	C01643	1	Wire basket with screw-on plate
24	C03478	1	Heat Shield
25	C00476	1	Distance sleeve for small end cap
26	767 000 233	1	Axial piston pump 6ccm, anti-clockwise
27	C01273	1	Counterholder Bowden cable
28	s. operator	2	Bowden
29	s. operator	1	Bowden
30	941 903 002	1	Safety switch
31	C02212	1	Distance plate for safety switch
32	C02405	1	Clutch
33	925 502 064	1	Coupling driver
34	C02072	1	Swiveling lever with doubling
35	C02069	1	Affixation
36	908 018 014	1	Adjusting spring
37	908 006 650	1	Adjusting spring
38	902 305 012	1	Grub screw
39	902 306 008	1	Grub screw
40	921 100 001	1	V-belt set
41	909 200 087	1	Mainspring
42	909 100 010	1	Pressure piece
43	705 018 653	1	Washer
44	903 604 025	2	LINSENSCHR. with cross recess
45	905 104 000	2	Washer
46	905 004 000	2	Spring washer
47	901 005 030	1	Skt.-screw without shank
48	903 920 510	2	Flat head screw with slot
49	905 005 000	1	Spring washer
50	905 105 000	3	Washer
51	901 006 012	1	Skt.-screw without shank
52	901 206 016	3	Countersunk screw with inner-Skt
53	901 006 020	2	Skt.-screw without shank



## Spare Parts List UBS - Master

No.	Art.	Num.	Designation
54	901 006 030	1	Skt.-screw without shank
55	905 206 025	2	K-disc
56	905 006 000	4	spring washer
57	905 106 000	2	Washer
58	900 006 001	1	Hexagon nut
59	900 006 007	2	Wing nut M6
60	901 808 016	1	Cyl.-screw with Innenskt.
61	901 008 020	4	Skt.-screw without shank
62	901 808 020	2	Cyl.-screw with Innenskt.
63	901 108 060	3	Skt. Screw with shank
64	901 808 120	1	Cyl.-screw with Innenskt.
65	901 008 130	5	Hexagon screw
66	905 008 000	13	spring washer
67	905 108 000	17	Washer
68	905 208 025	1	K-disc
69	900 008 002	1	Stoppmutter
70	901 110 060	1	Skt. Screw with shank
71	905 110 000	4	Washer
72	905 010 000	3	spring washer
73	900 010 001	1	Hexagon nut
74	900 010 002	2	Stoppmutter
75	902 738 114	2	Hexagon inch screw
76	902 758 103	1	Flat head screw with cross recess (inch)
77	906 038 001	1	Countersunk-inch screw
78	902 751 624	1	inch screw

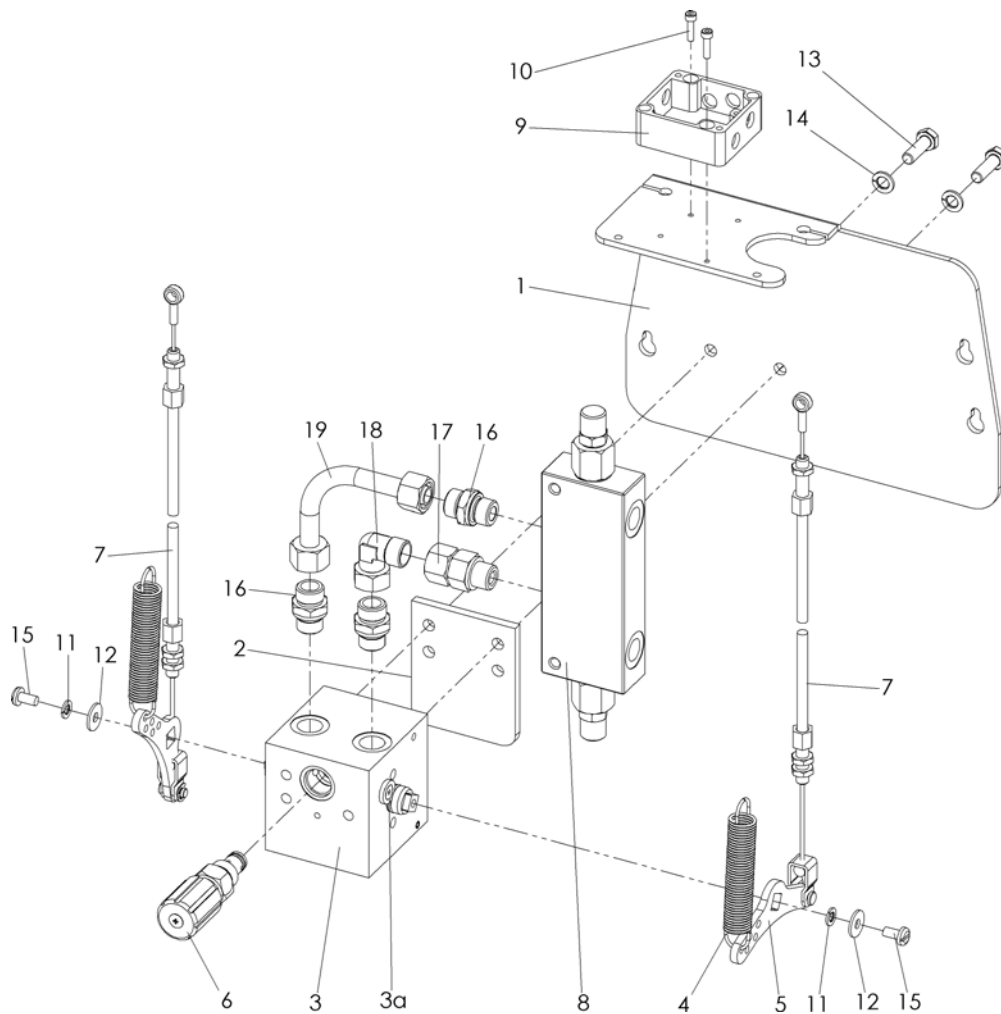
2.4 Guide rail with swivel bracket & tank - C02681 R00



**Guide rail with swivel bracket & tank - C02681 R00**

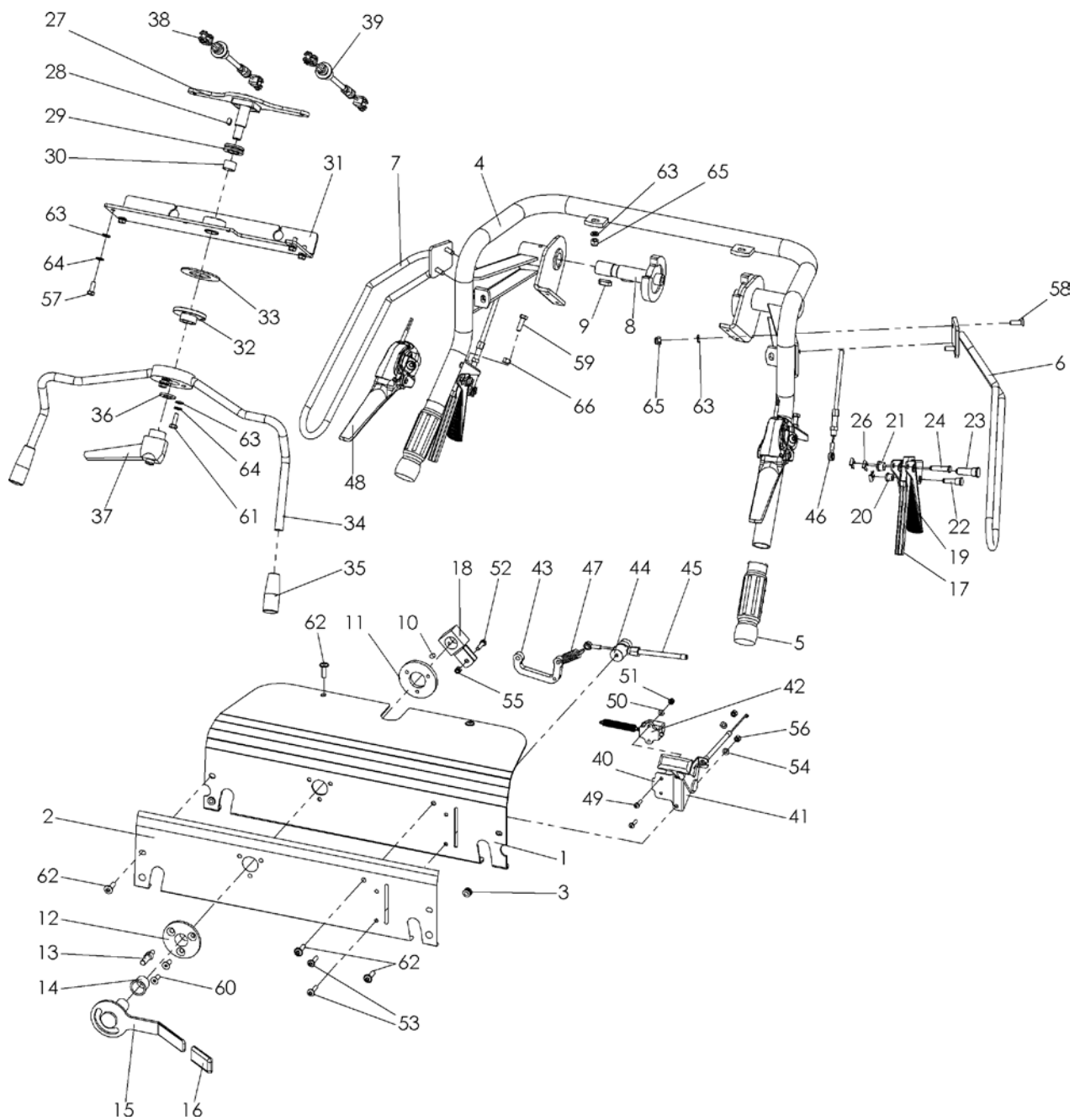
No.	Art.	Num.	Designation
1	C00873	1	Handlebar
2	C00875	1	swivel bracket
3	C02397	1	Tank with return filter
4	110 000 135	1	Tank fitting M56
5	C02667	1	Tank fitting M58
6	C01252	1	centering
7	C01283	1	Slotted cover
8	C00863	1	cover disc
9	C01266	1	Locking pin with cone
10	700 000 171	1	Screw
11	900 006 002	1	Stoppmutter
12	900 010 001	1	Hexagon nut
13	900 016 024	1	Hexagon nut
14	905 106 000	1	Washer
15	901 124 016	1	Hexagon screw
16	911 301 244	4	vibrator
17	911 006 015	1	Rubber-metal buffer
18	767 000 147	1	Edge protection for tank
19	909 100 189	1	compression spring
20	909 100 239	1	compression spring
21	931 200 042	1	bleed screw
22	937 158 003	1	O-ring
23	937 595 030	1	O-ring
24	941 267 710	1	Button handle
25	943 559 016	1	cap
26	937 200 010	1	filter element
27	937 200 035	1	filter element

2.5 Hydraulic control - C00589 R02



No.	Art.	Num.	Designation
1	770 000 040	1	Attachment hydraulic valve
2	767 000 030	1	Reinforcing plate
3	C00590	1	Hydraulic valve block compl.
3a	937 125 031	2	Seal kit
4	909 200 021	2	Mainspring
5	769 300 040	2	Swingarm for pistons
6	936 203 006	1	Control cartridge
7	941 765 001	2	Bowden cable below
8	936 612 563	1	Lowering valve
9	C03940	1	Wiring box
10	901 804 010	2	Cylinder head screw with Inside skt.
11	905 006 000	2	Spring washer
12	905 206 025	2	K-disc
13	901 008 025	2	Skt.-screw without shank
14	905 008 000	2	Spring washer
15	903 920 612	2	Flat head screw with slot
16	931 071 238	3	Hydraulic connection
17	931 031 238	1	Hydraulic connection
18	931 061 200	1	Hydraulic connection
19	767 000 080	1	Hydraulic line

2.6 Operator for UBS Master & Alpin - C01269 R02



No.	Art.	Num.	Designation
1	C00857	1	Operator
2	C01259	1	Control panel overlay
3	908 706 646	2	Cable grommet double-sided
4	C01233	1	Hand Holm
5	941 908 015	2	Handle
6	C03127	1	Hand guard - right version
7	C03128	1	Hand guard - left version
8	C01237	1	Guide shaft with toothed disc
9	908 006 620	2	Adjusting spring
10	902 306 008	1	Grub screw
11	C00058	1	Screw plate for rosette

No.	Art.	Num.	Designation
12	767 000 004	1	Rosette
13	C00057	1	Stop bolts for PTO lever
14	915 021 020	1	Bearings
15	C00495	1	PTO lever
16	941 900 050	1	Diving cap
17	770 000 010	2	Steering lever inside
18	C00494	1	Swivel arm
19	767 000 120	2	Double steering lever (outside)
20	767 000 100	2	Guide sleeve 11.9 outside 10 inside
21	767 000 099	2	Guide sleeve 9,9 outside 6.5 inside
22	767 000 098	2	Bolt D6,4x31,7
23	767 000 096	2	Bolt D10x35,7
24	767 000 097	2	Bolt D6,8x32
25	014 005 205	2	Driver for steering lever
26	907 225 020	6	Cotter
27	C01236	1	Pivoting lever
28	908 005 510	1	Adjusting spring
29	8751103	1	Camp
30	915 161 812	1	Bearings
31	C00858	1	Attachment plate for swivel joint
32	C03134	1	Adjustable swivel joint
33	950 767 001	1	Brake disc
34	C03135	1	Rocker with adjustable swivel joint
35	767 000 020	2	Rubber cap
36	905 112 000	1	Washer
37	941 200 012	1	Clamping lever
38	941 050 162	1	Bowden cable travel drive long
39	941 050 163	1	Bowden cable traction drive short
40	C01413	1	Mounting plate brake light switch
41	941 920 133	1	Gas lever LGS long
42	941 102 766	1	Brake light switch compl.
43	014 005 343	1	Umlenkhebel
44	C01414	1	Bowden cable
45	941 050 143	1	Bowden cable PTO
46	767 000 072	2	Bowden cable steering
47	909 100 162	1	Mainspring
48	941 902 003	2	Deadman
49	903 604 016	2	Phillips screw with Phillips
50	905 104 000	2	Washer
51	900 004 002	2	Stoppmutter
52	901 005 020	1	Hexagon screw
53	903 905 020	2	Linsenkopfschraube with interior.
54	905 105 000	4	Washer
55	900 005 002	3	Stoppmutter
56	900 005 001	2	Hexagon nut
57	901 006 016	4	Skt.-screw without shank
58	901 206 020	4	Countersunk screw with inner-Skt
59	901 006 020	2	Hexagon screw
60	901 206 016	2	Countersunk screw with inner-Skt
61	901 006 018	3	Skt.-screw without shank
62	903 906 020	5	Linsenkopfschraube with interior.
63	905 106 000	15	Washer
64	905 006 000	7	spring washer
65	900 006 002	8	Stoppmutter
66	900 006 001	2	Hexagon nut

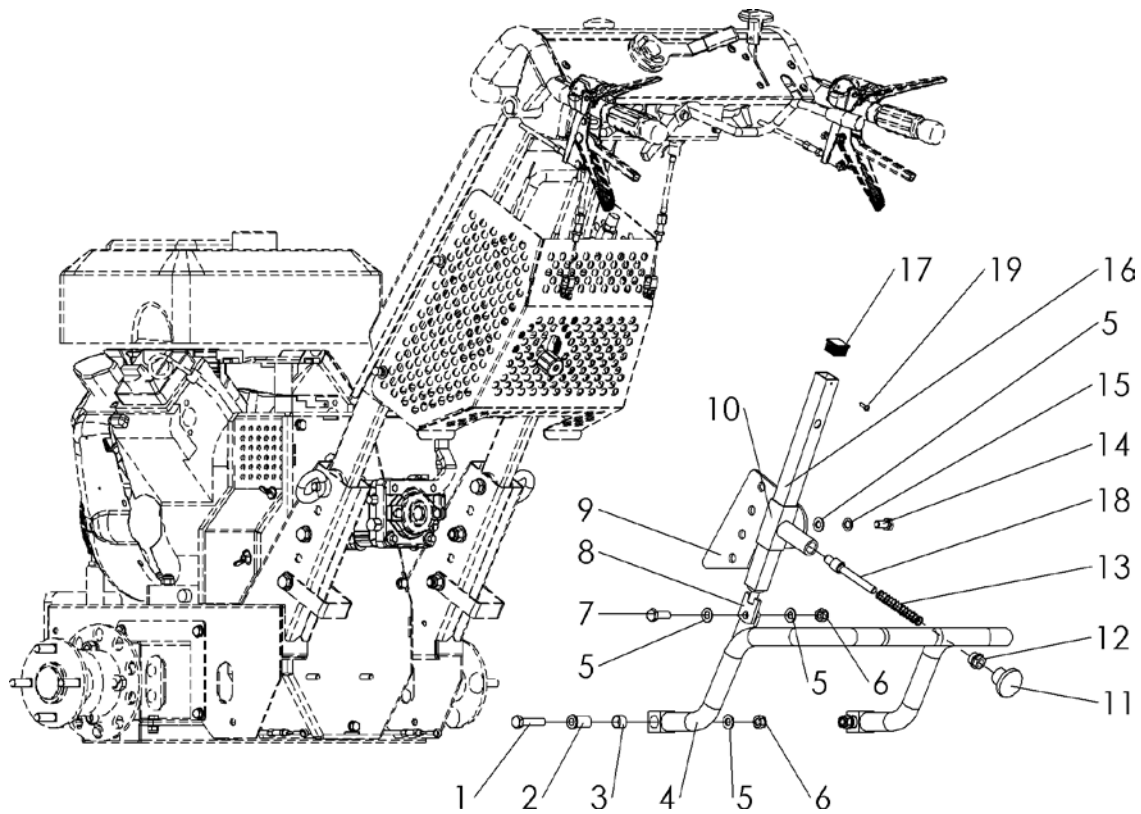


**Hydraulic kit for UBS Master wide version - C00728 R02**

No.	Art.	Num.	Designation
Hose set 930 767 988			
1	930 700 042	1	Hydraulic hose
2	930 700 043	1	Hydraulic hose
3	930 700 044	1	Hydraulic hose
4	930 700 045	1	Hydraulic hose
5	930 700 046	1	Hydraulic hose
6	930 767 058	1	Hydraulic hose
7	930 767 056	1	Hydraulic hose
8	930 767 057	1	Hydraulic hose
9	930 700 049	1	Drain line
10	931 071 538	4	Hydraulic connection
11	931 071 271	1	Hydraulic connection
12	931 139 160	1	Hydraulic connection
13	931 071 512	4	Hydraulic connection
14	931 111 538	4	Hydraulic connection
15	931 060 800	2	Hydraulic connection
16	931 070 815	2	Hydraulic connection

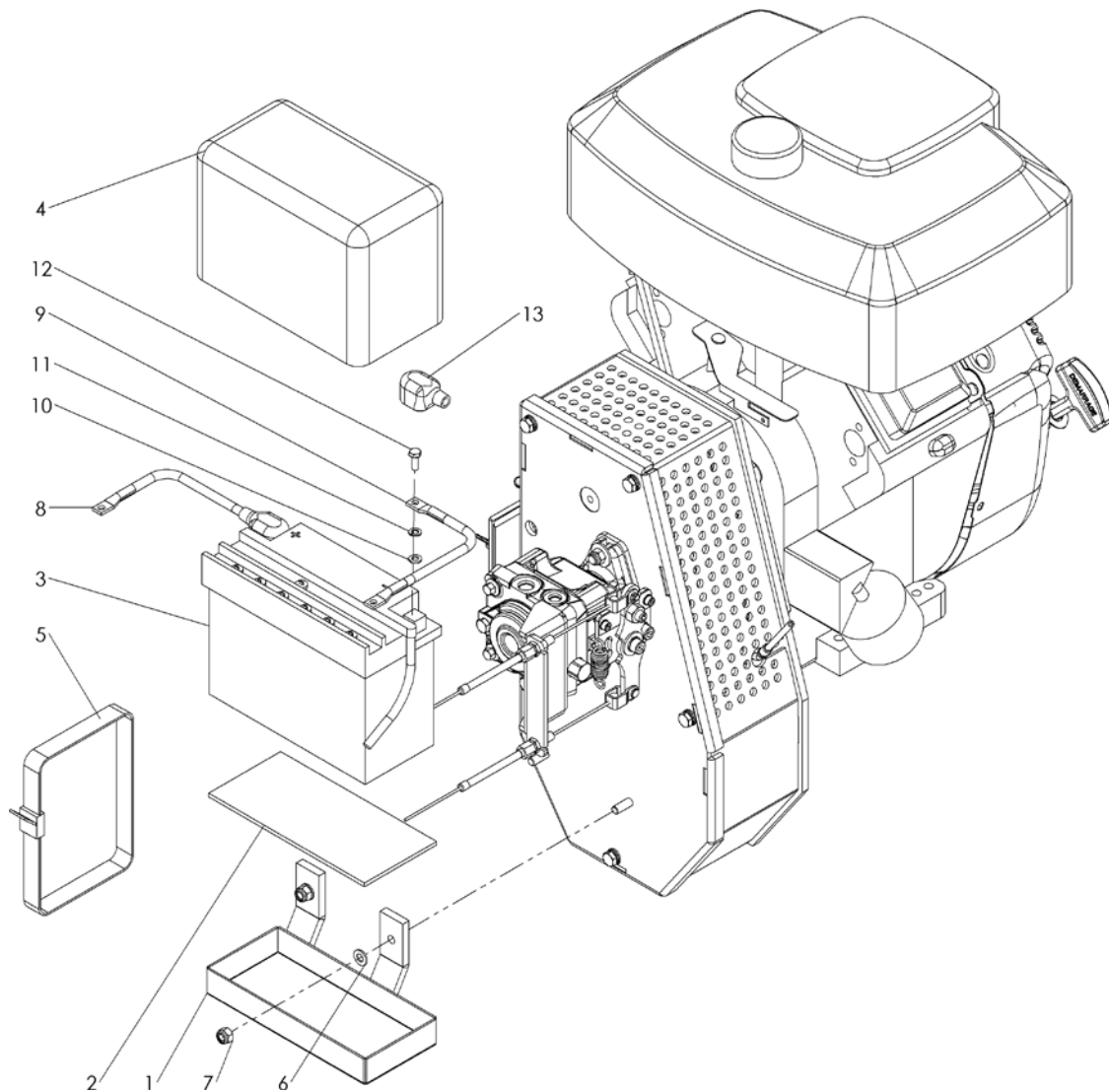


2.8 Parking support for UBS Master & Alpin - C01324 R00



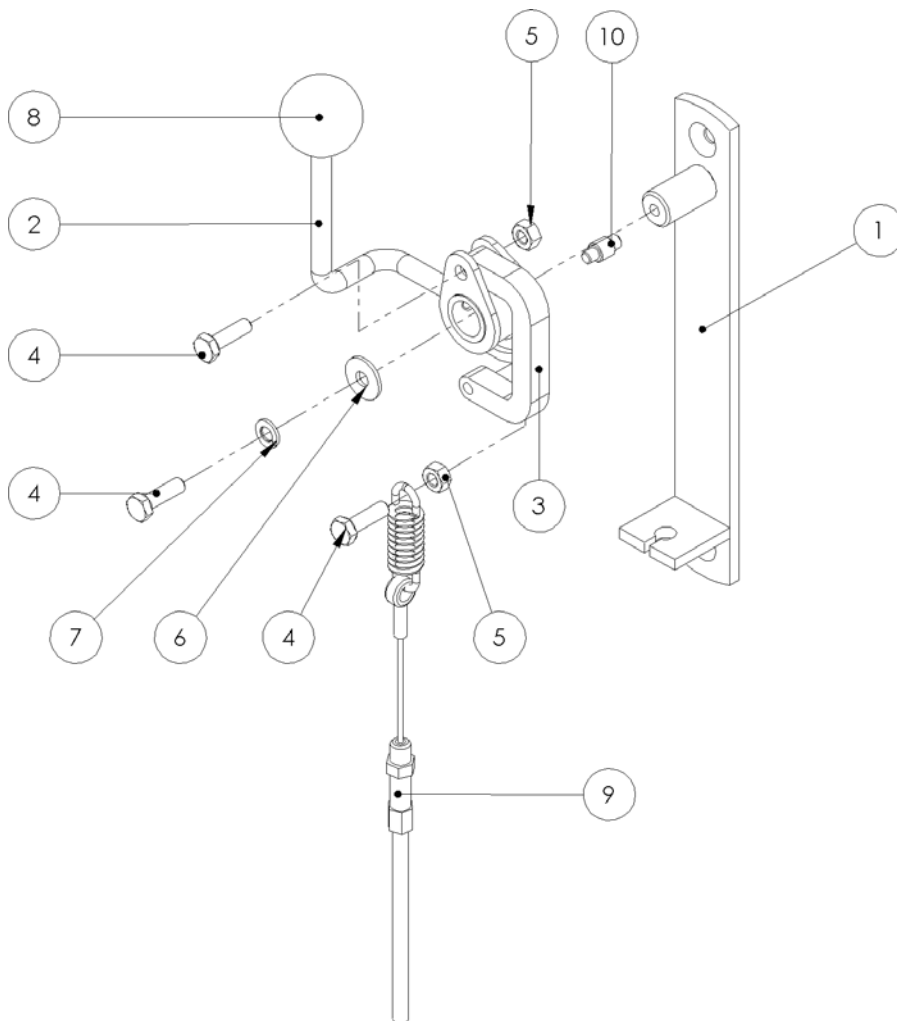
No.	Art.	Num.	Designation
1	901 110 050	2	Hexagon screw
2	C01281	2	Collar bushing
3	915 161 812	4	Bearings
4	C01296	1	Parking support
5	905 110 000	5	Washer
6	900 010 002	3	Stoppmutter
7	901 010 030	1	Hexagon screw
8	C01297	1	Adjustment
9	C01272	1	Anbauplatte
10	C01298	1	Notch
11	941 267 710	1	Button handle
12	700 000 171	1	Screw
13	909 100 189	1	Compression spring
14	901 010 020	1	Hexagon screw
15	905 010 000	2	Spring washer
16	C01299	1	Locking tube
17	943 125 252	1	Protective cap
18	700 001 170	1	Locking pin
19	902 642 016	1	Tapping screw

2.9 E-Start for UBS Master & Alpin - C00808 R01

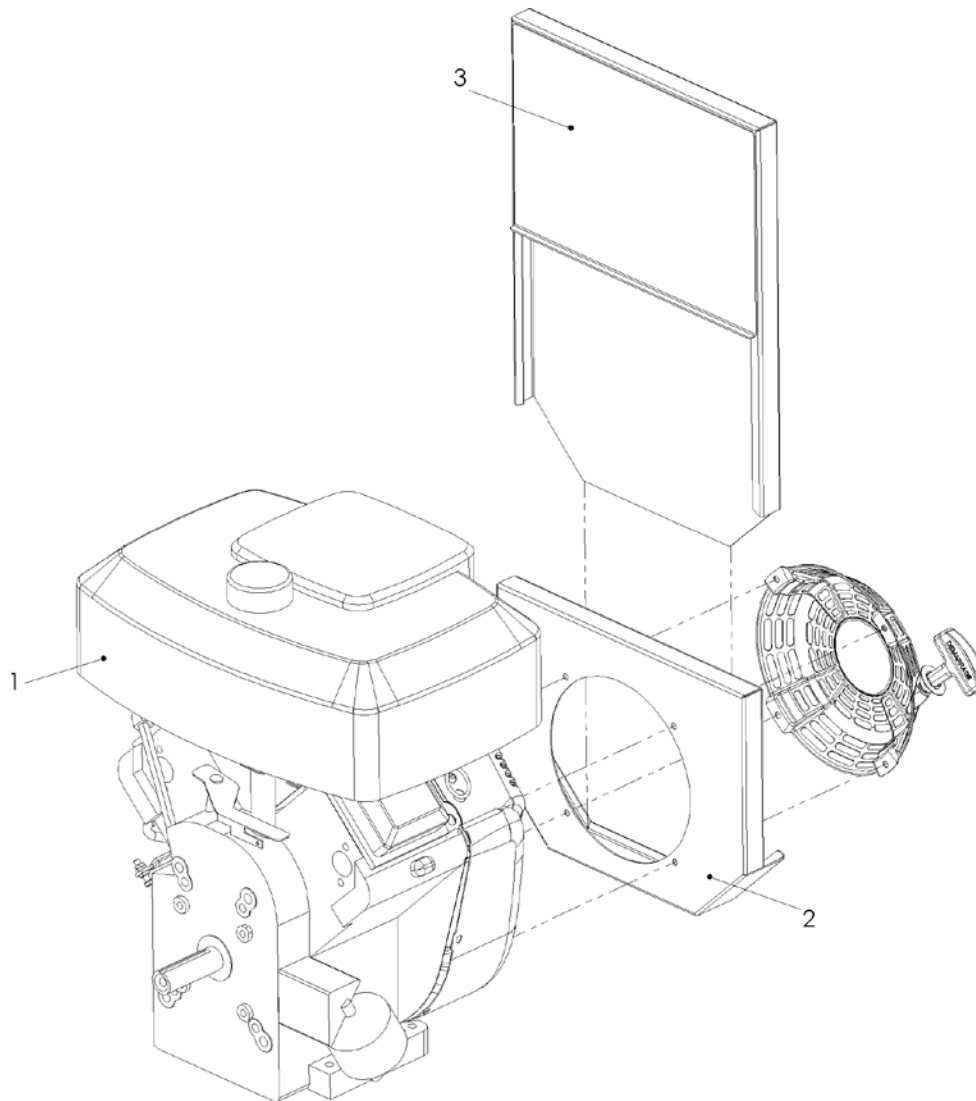


No.	Art.	Num.	Designation
1	767 000 079	1	Battery holder
2	700 000 305	1	Battery edition
3	960 011 220	1	Battery 12V - 20 Ah
4	960 031 001	1	Battery cover
5	960 031 000	1	Battery tape
6	905 108 000	2	Washer
7	900 008 002	2	Stoppmutter
8	C01290	1	Wiring (+)
9	C01291	1	Wiring (-)
10	905 106 000	2	Washer
11	905 006 000	2	Spring washer
12	901 006 016	2	Hexagon screw
13	960 041 000	2	Polar cap

2.10 Lever mechanism for parking brake on guide rail - C02423 R00



No.	Art.	Num.	Designation
1	C01965	1	Attachment lever
2	767 000 132	1	Control lever FSB
3	C01961	1	guide yoke
4	901 006 020	3	Skt.-screw without shank
5	900 006 001	2	Hexagon nut
6	905 206 018	1	K-disc
7	905 006 000	1	spring washer
8	941 220 008	1	Kugelknopf
9	s. Headers	1	Bowden cable for FSB
10	C01963	1	stop pin



### 2.11 Intake Manhole for B & S Engine Vanguard 18 HP– C03180

No.	Art.	Num.	Designation
2	C02169	1	Intake duct rear for 18 HP - B & S engine
3	C02171	1	Intake shaft front part

### 2.12 Intake Manhole for B & S Engine Vanguard 14 – 16 HP – C03181

No.	Art.	Num.	Designation
2	C02170	1	Intake duct rear for 14 - 16 HP - B & S engine
3	C02171	1	Intake shaft front part

**3 Others**

**3.1 Tire and wheel hub list – D00001 R02**

Type	Wheel size	Tire tread	Item No.	Wheel hub Art.	Wheel hub for parking brake Item no.	Wheel Motor Art.
K 820	4.00-8	Block	926 141 408	712 000 022	-	-
	4.00-8	Field studs	926 110 408	712 000 022	-	-
K 1500	4.00-8	Block	926 140 408	700 000 022	-	-
K 2000	4.00-8	Field studs	926 110 408	700 000 022	-	-
K 2100	16x6.50-8	Block	926 130 168	700 000 023	-	-
	16x6.50-8	Field studs	926 110 168	700 000 023	-	-
UBS Easy	4.00-8	Block	926 140 408	700 000 022	-	-
	4.00-8	Field studs	926 110 408	700 000 022	-	-
	16x6.50-8	Block	926 130 168	700 000 023	-	-
	16x6.50-8	Field studs	926 110 168	700 000 023	-	-
UBS Hydro	4.00-8	Block	926 140 408	767 410 006	767 000 141	935 102 315
	4.00-8	Field studs	926 110 408	767 410 006	767 000 141	935 102 315
	5.00-10	Field studs	926 110 510	767 410 006	767 000 141	935 102 315
	16x6.50-8	Block	926 130 168	767 187 006	767 000 142	935 102 315
	16x6.50-8	Field studs	926 110 168	767 187 006	767 000 142	935 102 315
	18x7.00-8	Field studs	926 110 187	767 187 006	767 000 142	935 102 315
UBS Master	18x9.50-8	Field studs	926 110 188	-	C00976	935 101 400
	21x11.00-8	Field studs	926 111 108	-	C00976	935 101 400
		-				
UBS Alpin	18x9.50-8	Field studs	926 110 188	-	C00976	935 101 400
	21x11.00-8	Field studs	926 111 108	-	C00976	935 101 400
Rough Cutter	4.00-10	Field studs	926 110 410	767 410 006	767 000 141	935 102 315
	5.00-10	Field studs	926 110 510	767 410 006	767 000 141	935 102 315
	18x9.50-8	Field studs	926 110 188	767 189 006	767 000 129	935 103 400
	21x11.00-8	Field studs	926 111 108	767 189 006	767 000 129	935 103 400
VertiCutter	4.00-10	Field studs	926 110 410	767 410 006	-	-
	18x7.00-8	Field studs	726 110 187	767 187 006	-	-
Safety Cutter	18x9.50-8	Field studs	926 110 188	767 189 006	767 000 129	935 103 400
	21x11.00-8	Field studs	926 111 108	767 189 006	767 000 129	935 103 400
Tiller	16x6.50-8	Field studs	926 110 168	760 000 024	-	-
Vento	4.00-8	Block	926 140 484	700 000 022	-	-
	4.00-8	Field studs	926 130 408	700 000 022	-	-
	16x6.50-8	Block	926 130 168	700 000 023	-	-
Vela	16x6.50-8	Block	926 130 168	700 000 023	-	-

# **Kersten**

**SITE MAINTENANCE EQUIPMENT**

Distributed in UK by  
**Kersten (UK) Ltd Tel. 0118 986 9253**

Progress House  
39 Boulton Road Reading, RG2 0NH  
www.kerstenuk.com - [info@kerstenuk.com](mailto:info@kerstenuk.com)