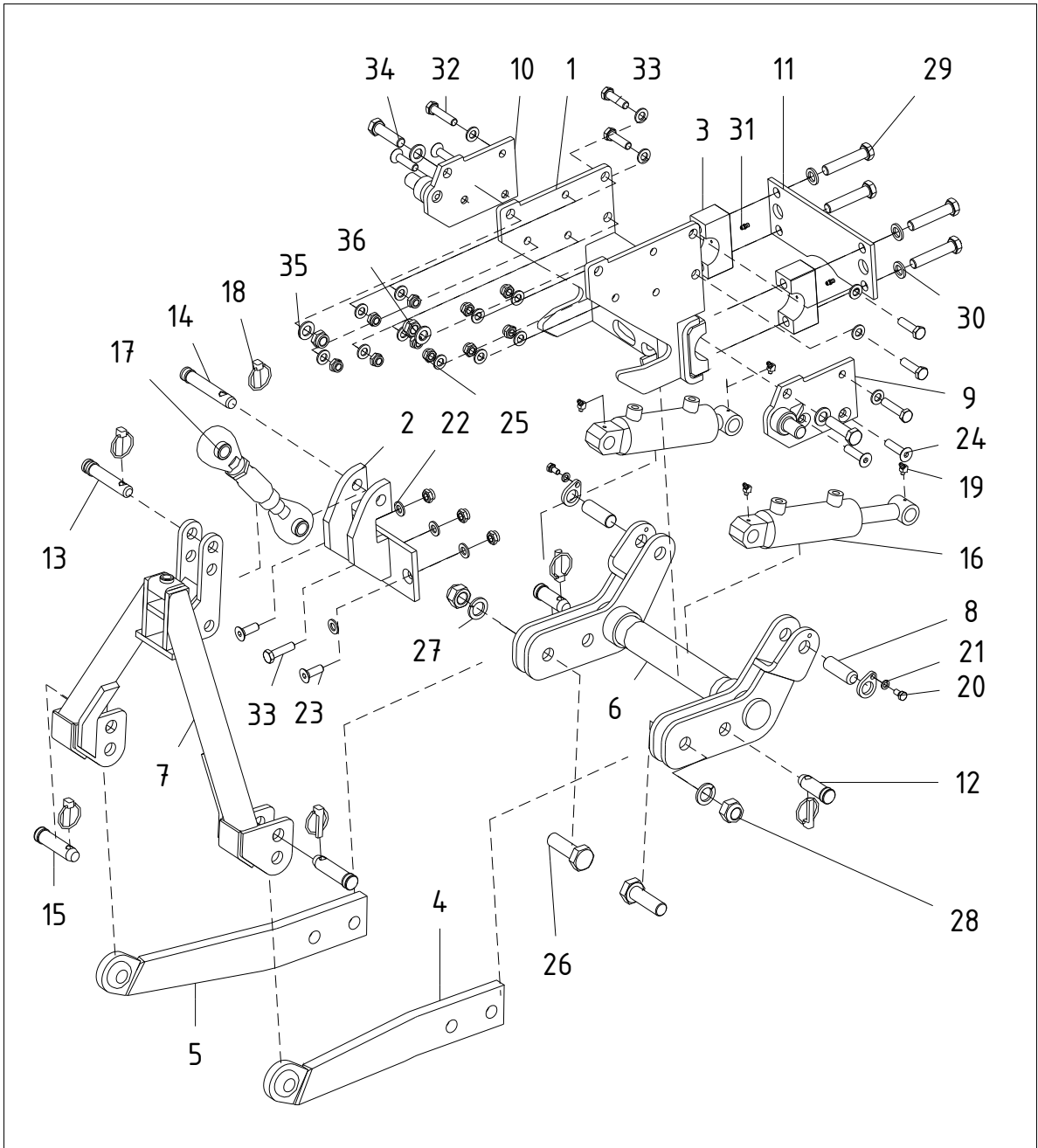


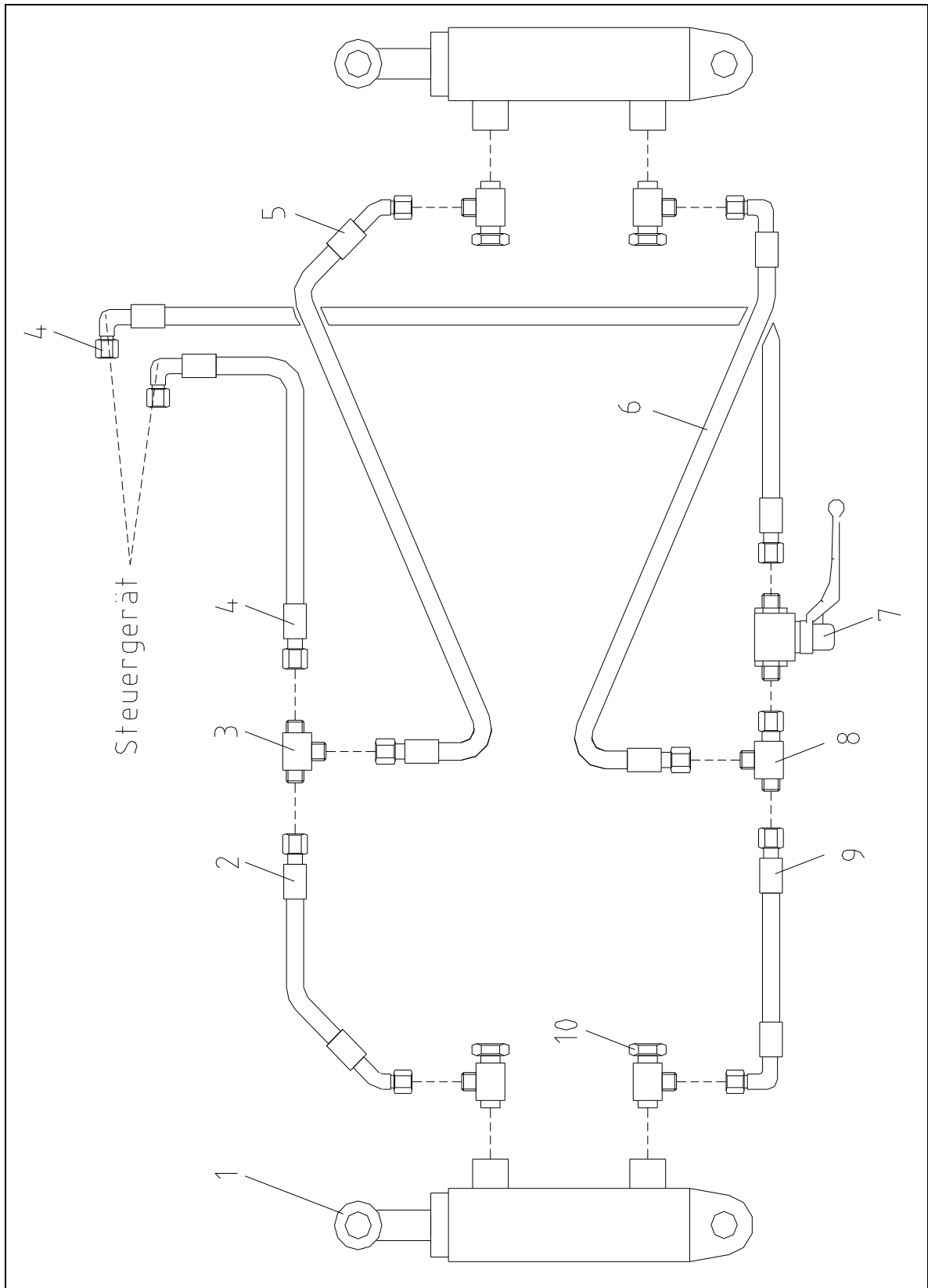
# Spare Parts List

Implement type: Front power lift  
FPS-JD 3036

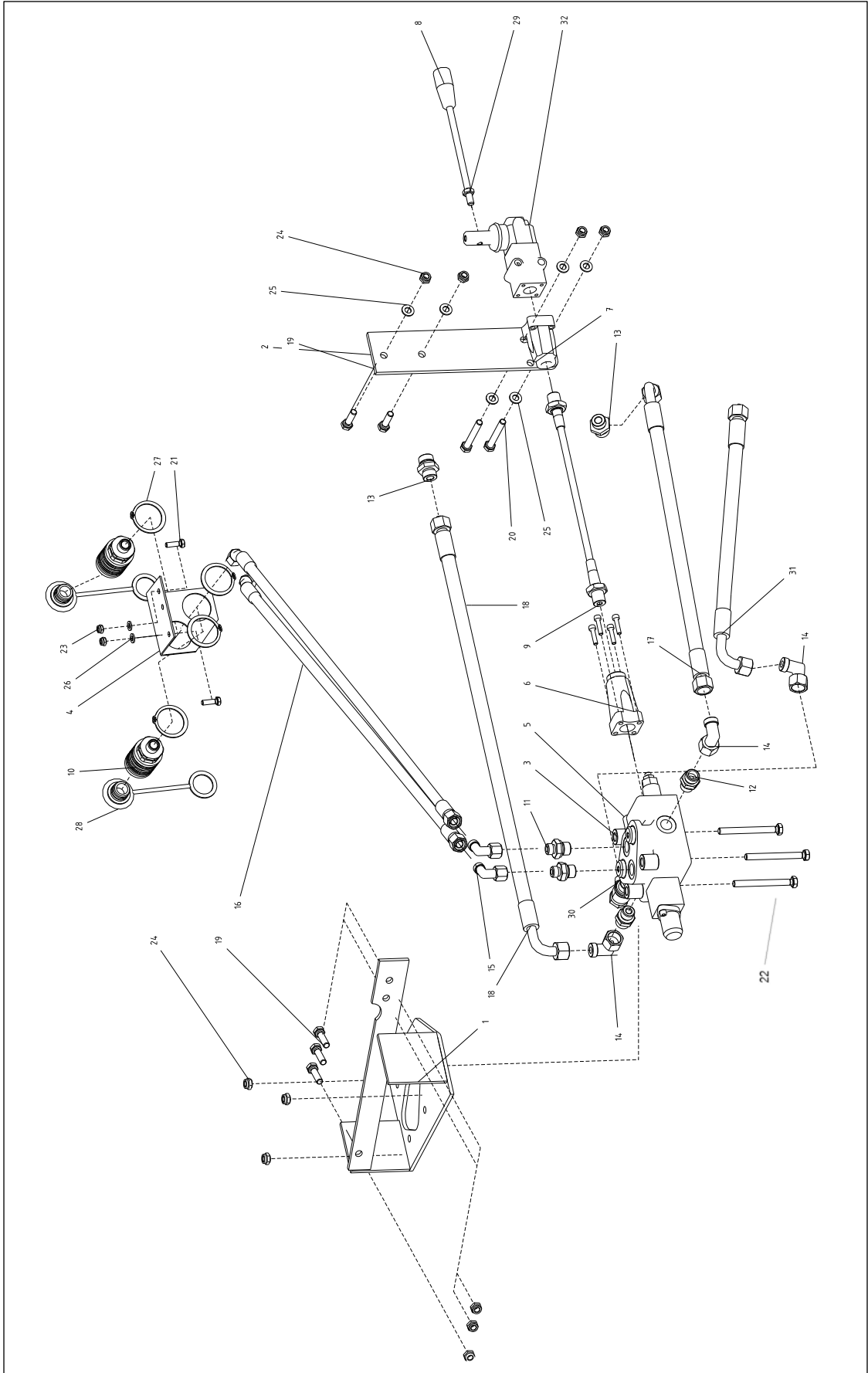
Order number: 131\_7161 **Front power lift JD 3036**  
131\_7136 **Joystick set, triple**  
131\_7160 **Joystick set, single**  
131\_7224 **Conversion kit - frontloader**



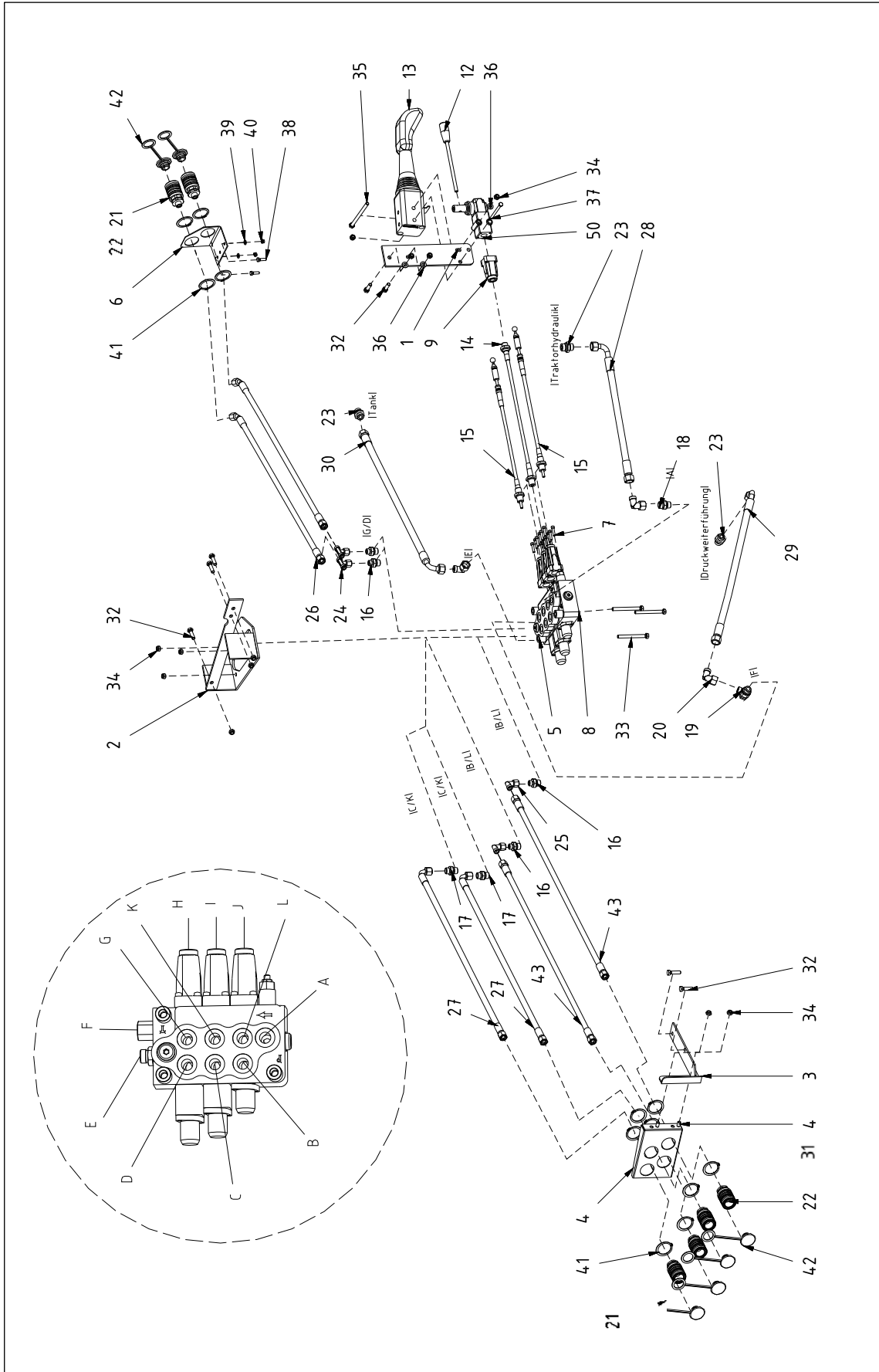
Item	Qty.	Spare part number	Description	Nomenclature
1	1	06 002 203	Base frame	
2	1	06 002 202	Upper link holder	
3	2	06 001 534	Bearing shell, outer	
4	1	06 001 535	Lower arm cpl (left)	
5	1	06 001 536	Lower arm cpl (right)	
6	1	06 001 537	Lift shaft cpl.	
7	1	06 001 529	Coupling support - Alpin	
8	2	06 001 051	Cylinder bolt for lever	
9	1	06 001 416	Cylinder suspension left	
10	1	06 001 417	Cylinder suspension, right	
11	1	06 002 212	Screw-on plate	
12	2	06 001 059	Lower arm bolt, short	
13	1	PRAV 5126 112	Upper link bolt cat. 1	
14	1	PRFS 000 817	Upper link bolt $\varnothing$ 19 cat.1	
15	2	PRAV 5126 109	Lower arm bolt, long	
16	2	01 000 385	Cylinder 80 lift	
17	1	04 000 231	Upper link l=100	
18	6	PRAV 5126 108	Linch pin DIN 11023 - 11x40	
19	4	04 000 279	Lubricating nipple DIN 71412 - B - M6	
20	2	PRDIN 933 130	Screw DIN 933 - M8x16 - 8.8	
21	2	PRDIN 127 420	Spring-lock washer DIN 127 - A 8	
22	20	PRDIN 125 540	Washer DIN 125 - 1 - A 13	
23	2	04 000 268	Countersunk screw with hexagon socket DIN 7991 - M12x35 - 10.9	
24	4	04 000 253	Countersunk screw with hexagon socket DIN 7991 - M12x50 - 10.9	
25	13	04 000 269	Stop nut DIN 985 - M12 - 10	
26	2	04 000 449	Screw DIN 6914 - M22x70 - 10.9	
27	2	04 000 290	Spring-lock washer DIN 127 - A 22	
28	2	04 000 291	Stop nut DIN 985 M22 - 8	
29	4	04 000 156	Screw DIN 931 - M16x80 - 8.8	
30	4	PRDIN 127 450	Spring-lock washer DIN 127 - A 16	
31	2	PRGA 000 163	Lubricating nipple DIN 71412 - A - M6	
32	2	04 000 492	Screw DIN 931 - M12x55 - 10.9	
33	5	04 000 491	Screw DIN 931 - M12x45 - 10.9	
34	2	04 000 256	Screw DIN 931 - M16x60 - 10.9	
35	4	PRDIN 125 555	Washer DIN 125 - A17	
36	2	04 000 370	Stop nut DIN 985 - M16 - 10	



Item	Qty.	Spare part number	Designation	Nomenclature
1	2	01 000 385	Hydraulic cylinder lift 80	
2	1	01 000 387	Hydraulic hose 2SN6-350-DKL / DKL 45°	
3	1	PRGA 000 409	T-piece 8L	
4	2	PRGA 5314 050	Hydraulic hose 2SN6-1000-DKL/DKL 90°	
5	1	01 000 466	Hydraulic hose 2SN6-2350-DKL/DKL 45°	
6	1	01 000 467	Hydraulic hose 2SN6-2300-DKL/DKL 90°	
7	1	01 000 404	Stop valve BKH 8L (with lock adjustment)	
8	1	01 000 028	L threaded union XEVL 8 (adjustable)	
9	1	01 000 133	Hydraulic hose 2SN6-310-DKL/DKL 90°	
10	4	PRAV 5126 120	Angle pivot threaded union WSWVE 8RL	

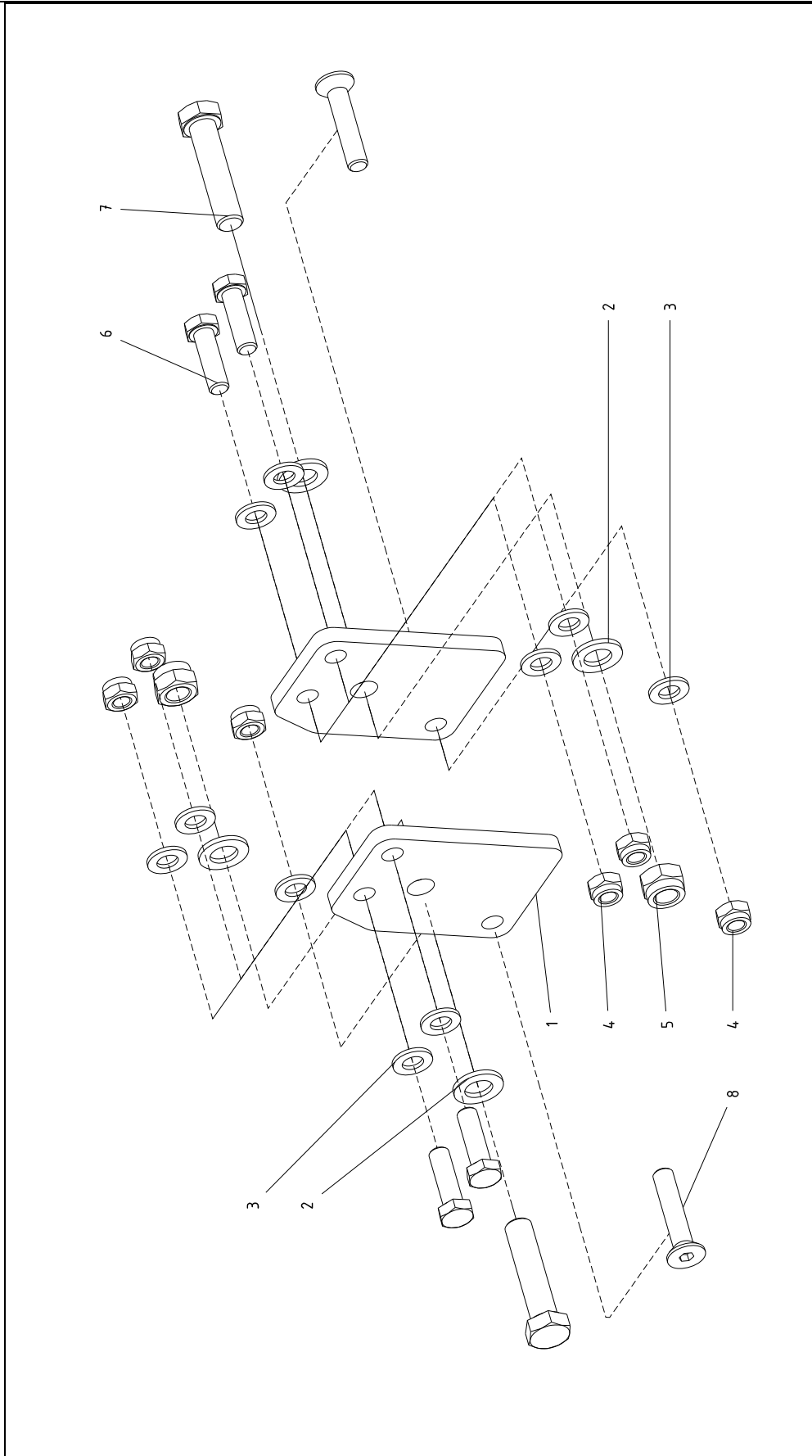


Item	Qty.	Spare part number	Description	Nomenclature
1	1	06 002 216	Holder, control device cpl.	
2	1	06 002 213	Holder cross control lever	
3	3	PRFS 47 000 435	Bush Ø20 / Ø10.5 x 20	
4	1	06 001 426	Hydraulic panel (ø38.5)	
5	1	01 000 572	Hydro control device SD 5-1 cpl. with float position and pressure continuation	
6	1	01 000 303	Attachment kit, cable pull control device	
7	1	01 000 302	Attachment kit	
8	1	01 000 118	Hand lever M8x200	
9	1	01 000 232	Cable pull cpl. 2x M6-M16	
10	2	01 000 539	Hydraulic coupling - BG3 8L	
11	2	01 000 023	GE threaded union - 3/8"	
12	2	01 000 030	GE threaded union - 3/8" 12L	
13	3	01 000 486	XGE threaded union - 3/4" 12L	
14	3	01 000 019	Angle adjustable 12L	
15	2	PRAV 000 213	Angle adjustable XVEWO NW 06 HL	
16	2	01 000 208	Hydraulic hose 1SN06-1000-DKL-DKL45°	
17	1	01 000 567	Hydraulic hose 1SN10-800-DKL-DKL90	
18	1	01 000 568	Hydraulic hose 1SN10-700-DKL-DKL90	
19	5	PRDIN 933 143	Screw DIN 933 - M8x30 - 8.8	
20	2	PRDIN 931 136	Screw DIN 931 - M8x60 - 8.8	
21	2	PRDIN 933 122	Screw DIN 933 - M6x20 - 8.8	
22	3	PRDIN 931 139	Screw DIN 933 - M8x80 - 8.8	
23	2	PRDIN 985 221	Stop nut DIN 985 - M6 - 8	
24	10	PRDIN 985 231	Stop nut DIN 985 - M8 - 8	
25	6	PRDIN 125 520	Washer DIN 125 - 1 - A 8.4	
26	4	PRDIN 125 510	Washer DIN 125 - 1 - A 6.4	
27	4	04 000 091	Circlip DIN 471 - 38x1.75	
28	2	01 000 149	Dust plug Ø22	
29	1	PRDIN 934 230	Nut DIN 934 - M8 - 8	
30	1	01 000 476	Angle pivot threaded union 3/8" - 12L.ipt	
31	1	01 000 566	Hydraulic hose 1SN10-900-DKL-DKL90	
32	1	01 000 569	Manual activation M10 f. cable pull control device	
33	1	01 000 380	Set screw 3/8" UNF - 0.312	





Item	Qty.	Spare part number	Description	Nomenclature
1	1	06 002 213	Holder cross control lever	
2	1	06 002 215	Holder, control device cpl.	
3	1	06 002 214	Holder hydro plug	
4	1	06 001 550	Coupling holder	
5	3	PRFS 47 000 435	Bush Ø20 / Ø10.5 x 20	
6	1	06 001 426	Hydraulic panel (ø38.5)	
7	3	01 000 303	Attachment kit, cable pull control device	
8	1	1000305	Hydro control device SD 5/3-P cpl.	
9	1	01 000 302	Attachment kit	
12	1	01 000 118	Hand lever M8x200	
13	1	01 000 483	Joystick	
14	1	01 000 232	Cable pull cpl. 2x M6-M16	
15	2	01 000 481	Cable pull cpl.	
16	4	01 000 023	GE threaded union - 3/8"	
17	2	01 000 024	GE threaded union - 3/8" 10L	
18	2	01 000 030	GE threaded union - 3/8" 12L	
19	1	01 000 476	Angle pivot threaded union 3/8" - 12L	
20	3	01 000 019	Angle adjustable 12L	
21	2	01 000 204	Hydraulic coupling - BG3 10L	
22	4	01 000 449	Hydraulic coupling - BG3 8L	
23	3	01 000 486	XGE threaded union - 3/4" 12L	
24	2	01 000 056	T-union XEVT 8-PL (adjustable)	
25	2	PRAV 000 213	Angle adjustable XVEWO NW 06 HL	
26	2	01 000 208	Hydraulic hose 1SN06-1000-DKL-DKL45°	
27	2	01 000 495	Hydraulic hose 1SN08-1300-DKL-DKL90	
28	1	01 000 567	Hydraulic hose 1SN10-800-DKL-DKL90	
29	1	01 000 566	Hydraulic hose 1SN10-900-DKL-DKL90	
30	1	01 000 568	Hydraulic hose 1SN10-700-DKL-DKL90	
31	2	PRDIN 933 130	Screw DIN 933 - M8x16 - 8.8	
32	7	PRDIN 933 143	Screw DIN 933 - M8x30 - 8.8	
33	3	PRDIN 931 139	Screw DIN 933 - M8x80 - 8.8	
34	12	PRDIN 985 231	Stop nut DIN 985 - M8 - 8	
35	1	PRDIN 931 140	Screw DIN 931 - M8x130 - 8.8	
36	3	PRDIN 125 520	Washer DIN 125 - 1 - A 8.4	
37	1	04 000 321	Screw DIN 931 - M6x80 - 8.8	
38	2	PRDIN 933 122	Screw DIN 933 - M6x20 - 8.8	
39	2	PRDIN 125 510	Washer DIN 125 - 1 - A 6.4	
40	2	PRDIN 985 221	Stop nut DIN 985 - M6 - 8	
41	12	04 000 091	Circlip DIN 471 - 38x1.75	
42	6	01 000 149	Dust plug Ø22	
43	2	PRGA 5314 046	Hydraulic hose 2SN06-1400-DKL-DKL	
50	1	01 000 569	Manual activation M10 f. cable pull control device	
51	1	01 000 380	Set screw 3/8" UNF - 0.312	



Item	Qty.	Spare part number	Description	Nomenclature
1	2	06 002 299	Adapter plate	
2	4	PRDIN 125 555	Washer DIN 125 - A17	
3	10	PRDIN 125 540	Washer DIN 125 - 1 - A 13	
4	6	04 000 269	Stop nut DIN 985 - M12 - 10	
5	2	04 000 370	Stop nut DIN 985 - M16 - 10	
6	4	04 000 493	Screw DIN 931 - M12x40 - 10.9	
7	2	04 000 320	Screw DIN 931 - M16x70 - 10.9	
8	2	04 000 495	Countersunk screw with hexagon socket DIN 7991 - M12x60 - 10.9	