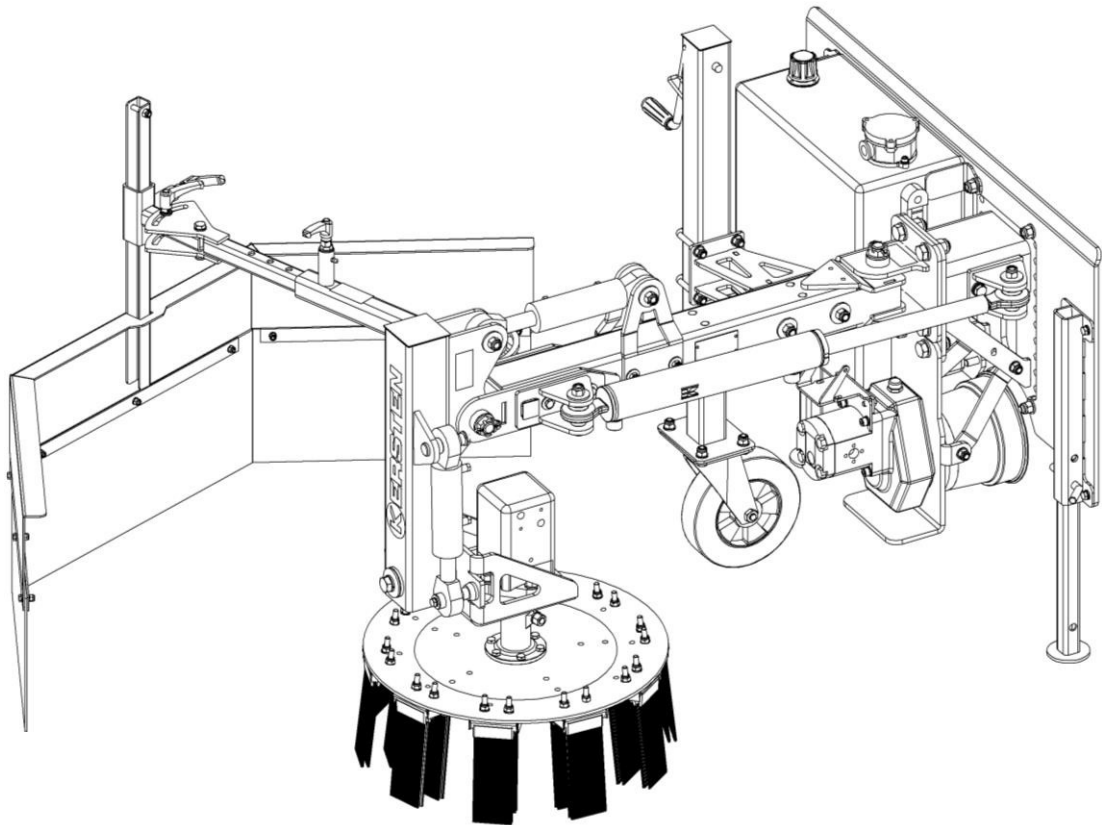




Spare Part List

Weebrush UB6080 M-H Waving left (England)



Order number: E00107

From machine No.: 61784

Rev.: R00

Stand .03.0218



Manufactured by Kersten
Arealmaschinen GmbH
Empeler Straße 95
D - 46459 Rees
www.kersten-maschinen.de

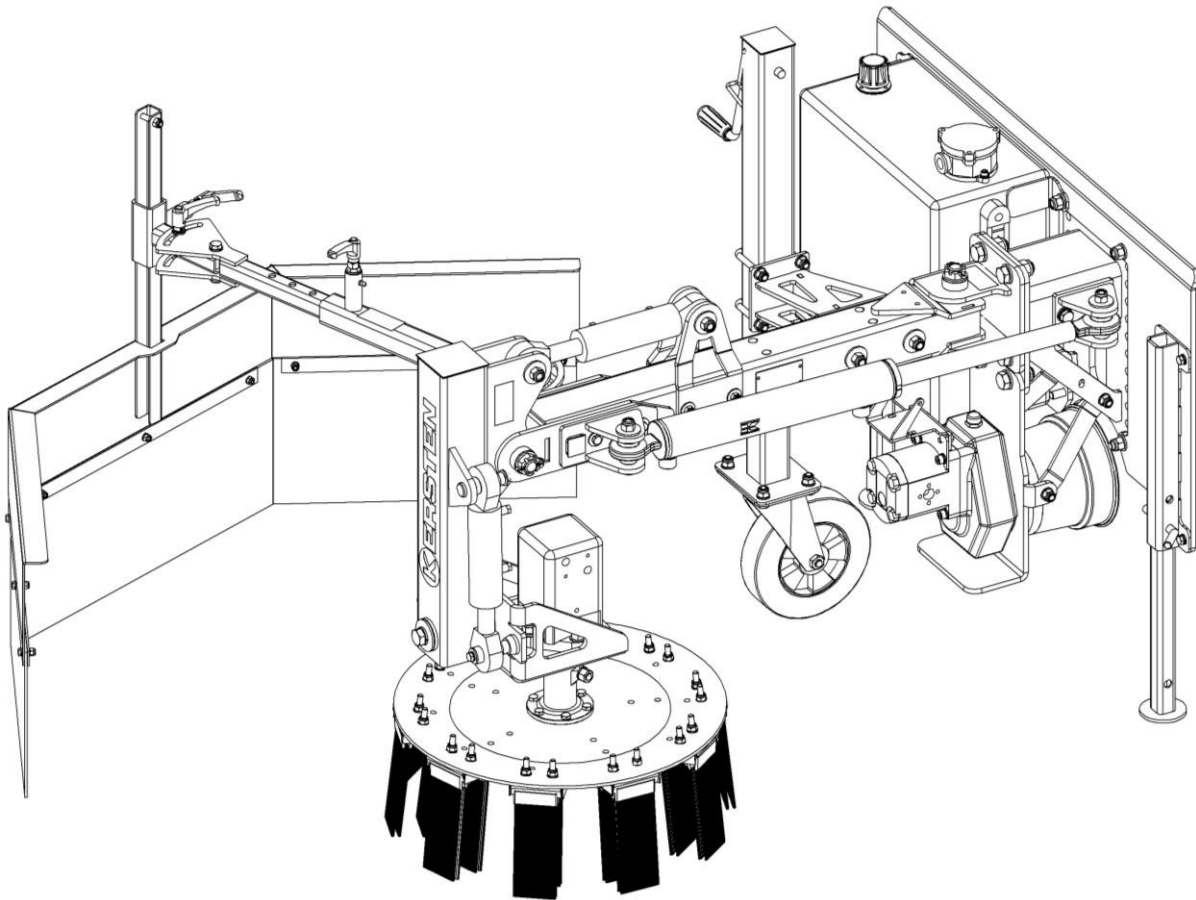


Distributed in UK by
Kersten (UK) Ltd Tel. 0118 986 9253
Progress House
39 Boulton Road Reading, RG2 0NH
www.kerstenuk.com - info@kerstenuk.com

Contents

1 Model overview, swiveling left	4
1.1 Carrier clockwise in the direction of travel for 2000 rpm - C07317 R00.....	4
1.2 Carrier turning counterclockwise in direction of travel for 2000 rpm - C07318 R00	4
1.3 Carrier clockwise in the direction of travel for 1000 rpm - C07319 R00.....	5
1.4 Carrier turning left in the direction of travel for 1000 rpm - C07320 R00	5
2 Module Overview	6
2.1 Assembly - weed brush, swiveling left - C07316 R00	6
2.2 Middle section short - swiveling left - C07315 R00.....	8
2.3 Forearm with orbital motor - C06608 R00	9
2.4 Assembling drive unit, swiveling left.....	10
2.4.1 Drive unit clockwise for 2000 rpm - C07310 R00.....	11
2.4.2 Drive unit anti-clockwise for 2000 rpm - C07311 R00.....	12
2.4.3 Drive unit clockwise for 1000 rpm - C07313 R00.....	13
2.4.4 Counterclockwise drive unit for 1000 rpm - C07314 R00.....	14
2.5 Splash guard - C06542 R00	15
3 Accessories / Options	16
3.1 Brush plate Ø60cm - BT 060 FL - C02561 R01	16
3.2 Brush plate Ø80cm - BT 080 DS-KU - C02563 R01	17
3.3 Hydraulic plan - clockwise - C07322 R00	18
3.4 Hydraulic counterclockwise - C07321 R00.....	20
3.5 Control unit ST-UB with joystick control - C06779 R00	22
3.6 ST-UB-RC control unit with radio remote control - C06775 R00	23
3.7 Weedbrush set compl. with joystick - 936 014 287	24

1 Model overview, swiveling left



1.1 Carrier clockwise in the direction of travel for 2000 rpm - C07317 R00

No.	Art.-Num.	Num.	Designation
1	C07316 R00	1	Assembly - weed brush, swiveling left
2	C07310 R00	1	Assembly drive unit, swiveling left
3	C06551 R00	1	Mounting frame three-point & dome attachment
3	C06600 R00	1	Middle section, swiveling left
4	C06608 R00	1	Forearm with orbital motor
5	C06542 R00	1	Splash guard

1.2 Carrier leftward in the direction of travel for 2000 rpm - C07318 R00

No.	Art.-Num.	Num.	Designation
1	C07316 R00	1	Assembly - weed brush, swiveling left
2	C07311 R00	1	Assembly drive unit, swiveling left
3	C06551 R00	1	Mounting frame three-point & dome attachment
3	C06600 R00	1	Middle section, swiveling left
4	C06608 R00	1	Forearm with orbital motor
5	C06542 R00	1	Splash guard

1.3 Carrier clockwise in the direction of travel for 1000 rpm - C07319 R00

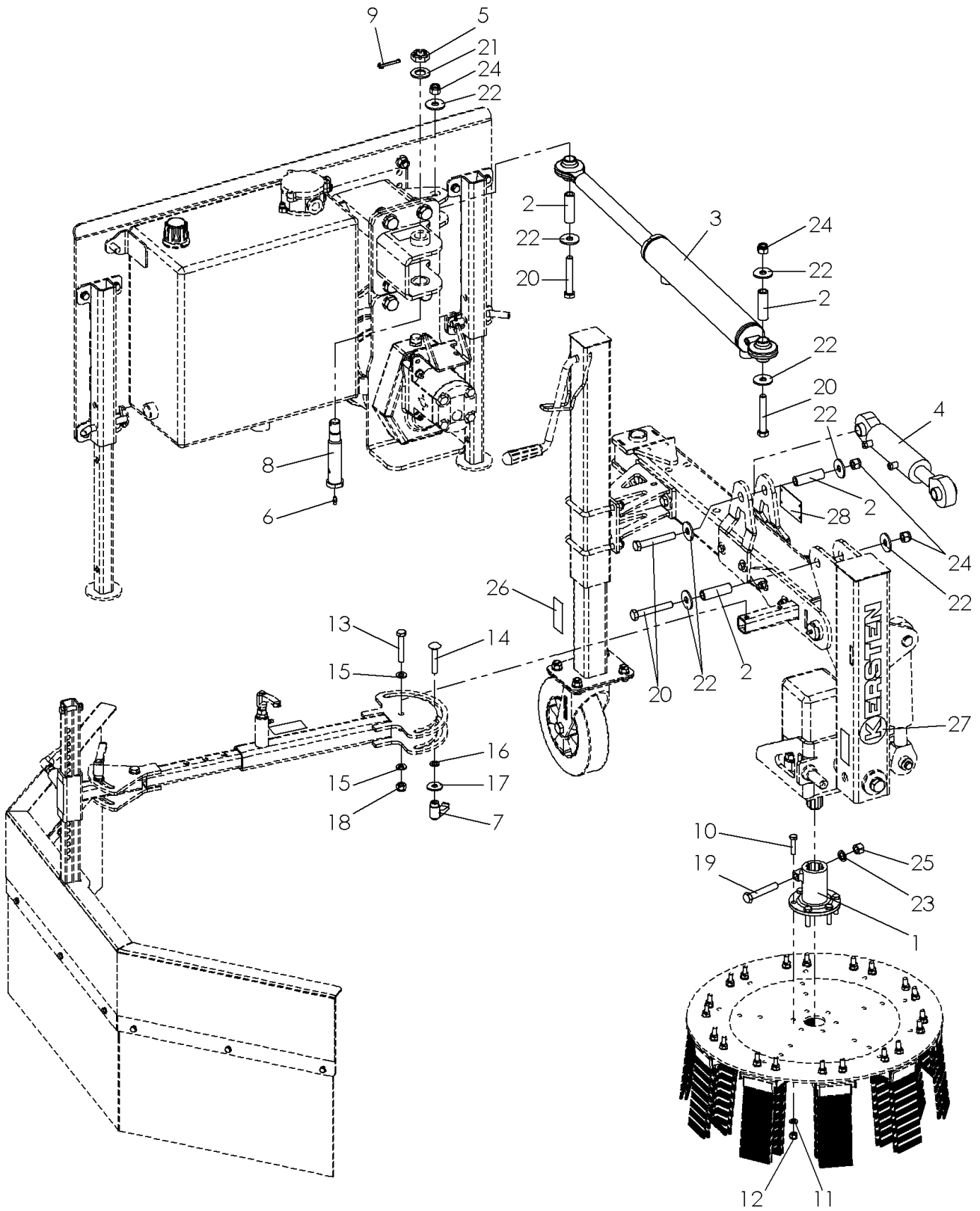
No.	Art.-Num.	Num.	Designation
1	C07316 R00	1	Assembly - weed brush, swiveling left
2	C07313 R00	1	Assembly drive unit, swiveling left
3	C06551 R00	1	Mounting frame three-point & dome attachment
3	C06600 R00	1	Middle section, swiveling left
4	C06608 R00	1	Forearm with orbital motor
5	C06542 R00	1	Splash guard

1.4 Carrier leftward in direction of travel for 1000 rpm - C07320 R00

No.	Art.-Num.	Num.	Designation
1	C07316 R00	1	Assembly - weed brush, swiveling left
2	C07314 R00	1	Assembly drive unit, swiveling left
3	C06551 R00	1	Mounting frame three-point & dome attachment
3	C06600 R00	1	Middle section, swiveling left
4	C06608 R00	1	Forearm with orbital motor
5	C06542 R00	1	Splash guard

2 Overview of Modules

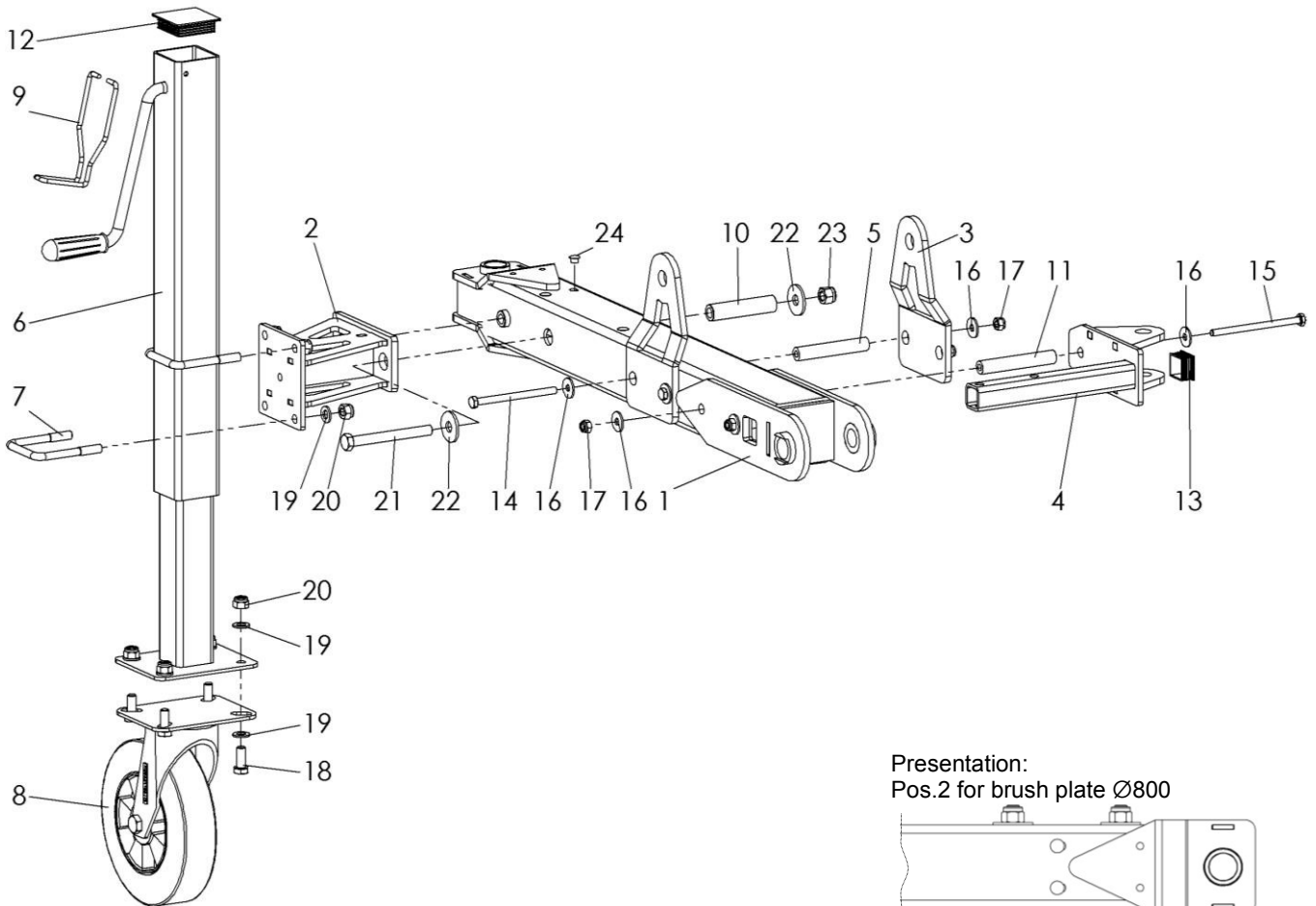
2.1 Assembly - Weedbrush, pivoting left - C07316 R00



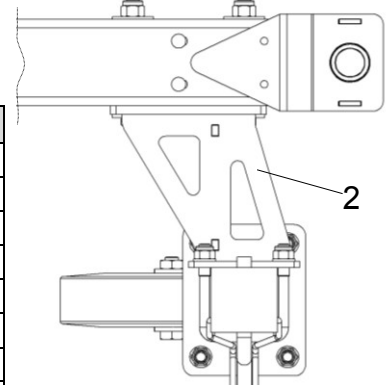
Assembly - Weedbrush – C07316 R00

No.	Art.-Num.	Num.	Designation
1	927 335 006	1	Mounting flange compl.
2	C06261	4	Rifle
3	933 103 006	1	Cylinder for emptying containers
4	933 102 060	1	Cylinder
5	900 020 012	2	Castellated nut
6	910 006 000	2	Grease nipple
7	941 200 212	1	Clamping lever
8	903 220 015	2	Plungers
9	907 204 050	2	Cotter
10	901 008 035	6	Skt. Screw without shank
11	905 108 000	6	Washer
12	900 008 002	6	Stop mother
13	901 110 060	1	Skt. Screw with shank
14	901 910 060	1	Carriage bolt
15	905 110 000	2	Washer
16	905 010 000	1	Spring washer
17	905 210 000	1	K-disc
18	900 010 002	1	Stop mother
19	901 112 070	1	Skt. Screw with shank
20	901 012 080	4	Skt.-screw without shank
21	905 120 000	2	Washer
22	905 212 001	8	K-disc
23	905 012 000	1	Spring washer
24	900 012 002	4	Stop mother
25	900 012 001	1	Hexagon nut
26	999 049 000	6	Smudges sticker
27	950 900 100	1	Kersten stickers
28	auf Anfrage	1	Nameplate

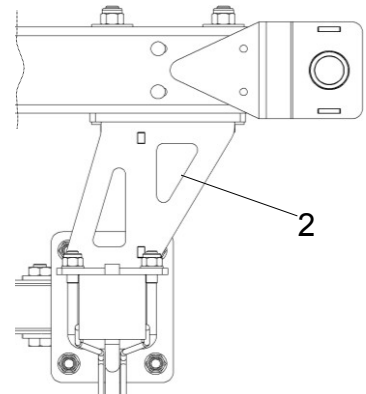
2.2 Middle section short - pivoting left - C07315 R00



Presentation:
Pos.2 for brush plate Ø800

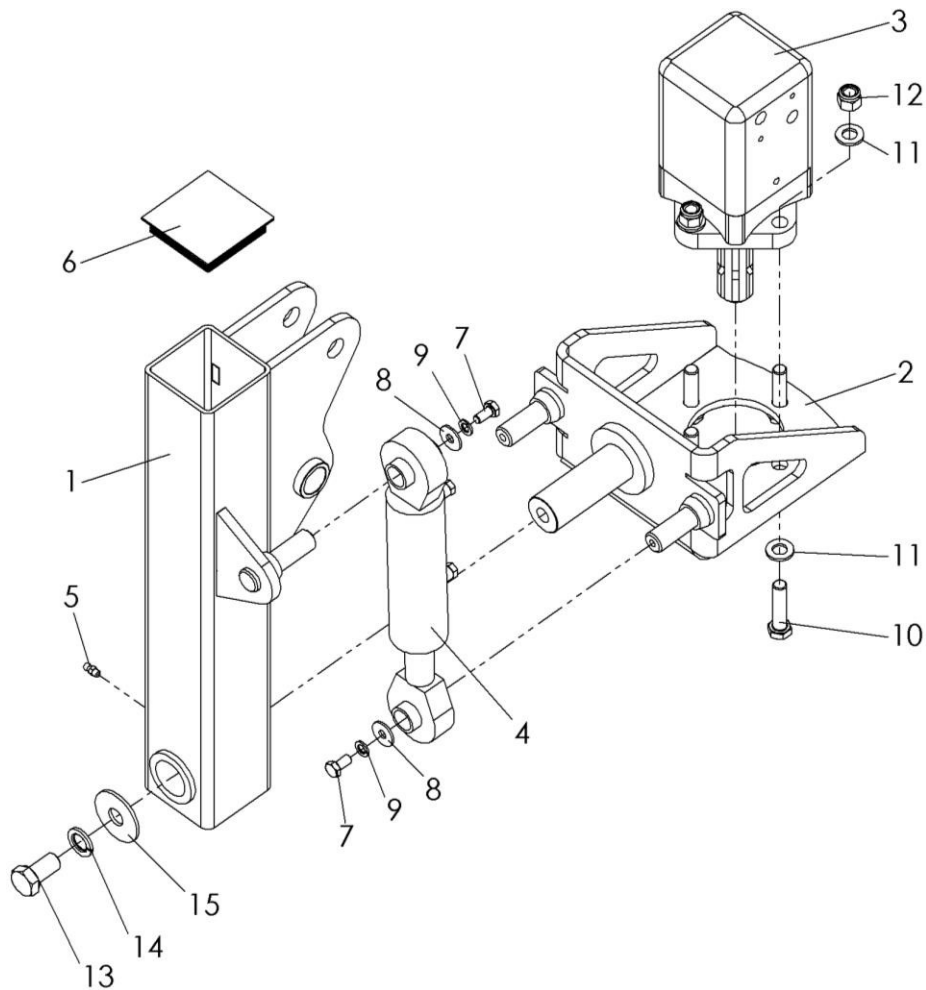


Presentation:
Pos.2 for brush plate Ø600



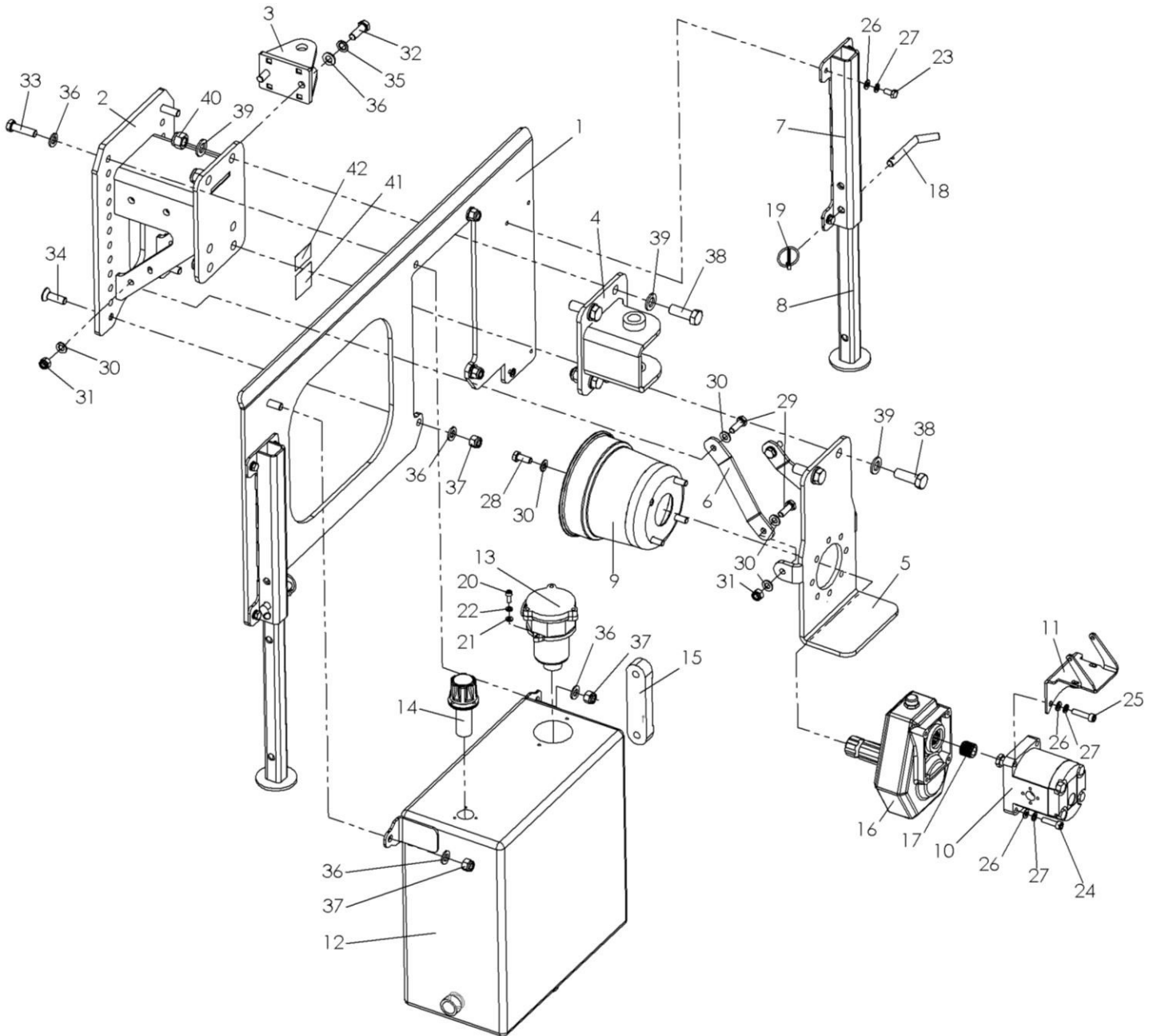
No.	Art.-No.	Num.	Designation
1	C05571	1	Center frame for UB - short version
2	C06471	1	Support wheel holder UB short
3	C05597	2	Mounting bracket swivel cylinder I
4	C06480	1	Tilt cylinder receptacle
5	C05608	2	Spacer tube
6	942 001 002	1	Support leg UB galvanized
7	901 510 260	2	U-bolt
8	926 304 200	1	Caster
9	942 003 002	1	Retaining clip
10	C06263	2	Rifle
11	C06494	2	Spacer tube
12	943 160 604	1	Protective cap
13	934 130 303	1	Protective cap
14	901 108 110	2	Skt. Screw with shank
15	901 108 120	2	Skt. Screw with shank
16	905 208 025	8	K-disc
17	900 008 002	4	Stoppmutter
18	901 010 025	4	Skt.-screw without shank
19	905 110 000	12	Washer
20	900 010 002	8	Stop mother
21	901 112 110	2	Skt. Screw with shank
22	905 212 001	4	K-disc
23	900 012 002	2	Stop mother
24	943 700 008	4	Blind plug

2.3 Forearm with orbital motor - C06608 R00



No.	Art.-No.	Num.	Designation
1	C05603	1	Front frame for UB
2	C06475	1	Motorhalter
3	935 114 125	1	Hydraulic motor
4	933 102 060	1	Cylinder
5	910 006 000	1	Grease nipple
6	943 180 803	1	Protective cap 80x80x3
7	901 008 016	2	Skt.-screw without shank
8	905 208 025	2	K-disc
9	905 008 000	2	Spring washer
10	901 012 050	4	Skt.-screw without shank
11	905 112 000	8	Washer
12	900 012 002	4	Stop mother
13	901 016 030	1	Skt.-screw without shank
14	905 016 000	1	Spring washer
15	905 216 000	1	K-disc

2.4 Assembling drive unit, swiveling left



2.4.1 Drive unit clockwise for 2000 rpm - C07310 R00

No.	Art.-Num.	Num.	Designation
1	C06618	1	Hydraulic tank holder UB6080M-H
2	C06455	1	UB mounting frame for FKDR
3	C06454	1	Mounting bracket swivel cylinder
4	C06453	1	Pivot bearing
5	C06668	1	Attachment attachment
6	C06669	2	Crossmember
7	C06803	2	Parking support screwable UB6080 M-H
8	750 000 016	2	Parking support
9	923 003 002	1	Protective pot
10	934 713 110	1	Hydraulic pump, anti-clockwise
11	C06800	1	Valve holding plate
12	C06621	1	Hydraulic tank compl.
13	937 210 762	1	Return filters
14	937 760 004	1	Filler neck
15	937 760 003	1	Sight glass with thermometer
16	922 205 002	1	Actuator with shaft
17	922 203 003	1	Profile jack
18	155 000 013	2	Mounting lever
19	907 145 000	2	Linch pin
20	901 806 016	2	Cheese head screw
21	905 106 000	2	Washer
22	905 006 000	2	Spring washer
23	901 008 016	8	Skt.-screw without shank
24	901 808 030	2	Cyl.-screw with hexagon socket
25	901 808 035	2	Cylinder head screw m. Allen / Allen
26	905 108 000	12	Washer
27	905 008 000	12	Spring washer
28	901 010 025	4	Skt.-screw without shank
29	901 010 030	4	Skt.-screw without shank
30	905 110 000	12	Washer
31	900 010 002	4	Stop mother
32	901 012 035	3	Skt.-screw without shank
33	901 012 045	2	Skt.-screw without shank
34	901 212 040	2	Countersunk screw with hexagon socket
35	905 012 000	2	Spring washer
36	905 112 000	10	Washer
37	900 012 002	5	Stop mother
38	901 016 045	6	Skt.-screw without shank
39	905 116 000	12	Washer
40	900 016 002	6	Stop mother
41	950 900 203	1	Speed sticker
42	950 900 250	1	Direction of rotation sticker right

2.4.2 Drive unit anti-clockwise for 2000 rpm- C07311 R00

No.	Art.-Num.	Num.	Designation
1	C06618	1	Hydraulic tank holder UB6080M-H
2	C06455	1	UB mounting frame for FKDR
3	C06454	1	Mounting bracket swivel cylinder
4	C06453	1	Pivot bearing
5	C06668	1	Attachment attachment
6	C06669	2	Crossmember
7	C06803	2	Parking support screwable UB6080 M-H
8	750 000 016	2	Parking support
9	923 003 002	1	Protective pot
10	934 713 112	1	Hydraulic pump, clockwise
11	C06800	1	Valve holding plate
12	C06621	1	Hydraulic tank compl.
13	937 210 762	1	Return filters
14	937 760 004	1	Filler neck
15	937 760 003	1	Sight glass with thermometer
16	922 205 002	1	Actuator with shaft
17	922 203 003	1	Profile jack
18	155 000 013	2	Mounting lever
19	907 145 000	2	Linch pin
20	901 806 016	2	Cheese head screw
21	905 106 000	2	Washer
22	905 006 000	2	Spring washer
23	901 008 016	8	Skt.-screw without shank
24	901 808 030	2	Cyl.-screw with hexagon socket
25	901 808 035	2	Cylinder head screw m. Allen / Allen
26	905 108 000	12	Washer
27	905 008 000	12	Spring washer
28	901 010 025	4	Skt.-screw without shank
29	901 010 030	4	Skt.-screw without shank
30	905 110 000	12	Washer
31	900 010 002	4	Stop mother
32	901 012 035	3	Skt.-screw without shank
33	901 012 045	2	Skt.-screw without shank
34	901 212 040	2	Countersunk screw with hexagon socket
35	905 012 000	2	Spring washer
36	905 112 000	10	Washer
37	900 012 002	5	Stop mother
38	901 016 045	6	Skt.-screw without shank
39	905 116 000	12	Washer
40	900 016 002	6	Stop mother
41	950 900 203	1	Speed sticker
42	950 900 251	1	Direction of rotation sticker left

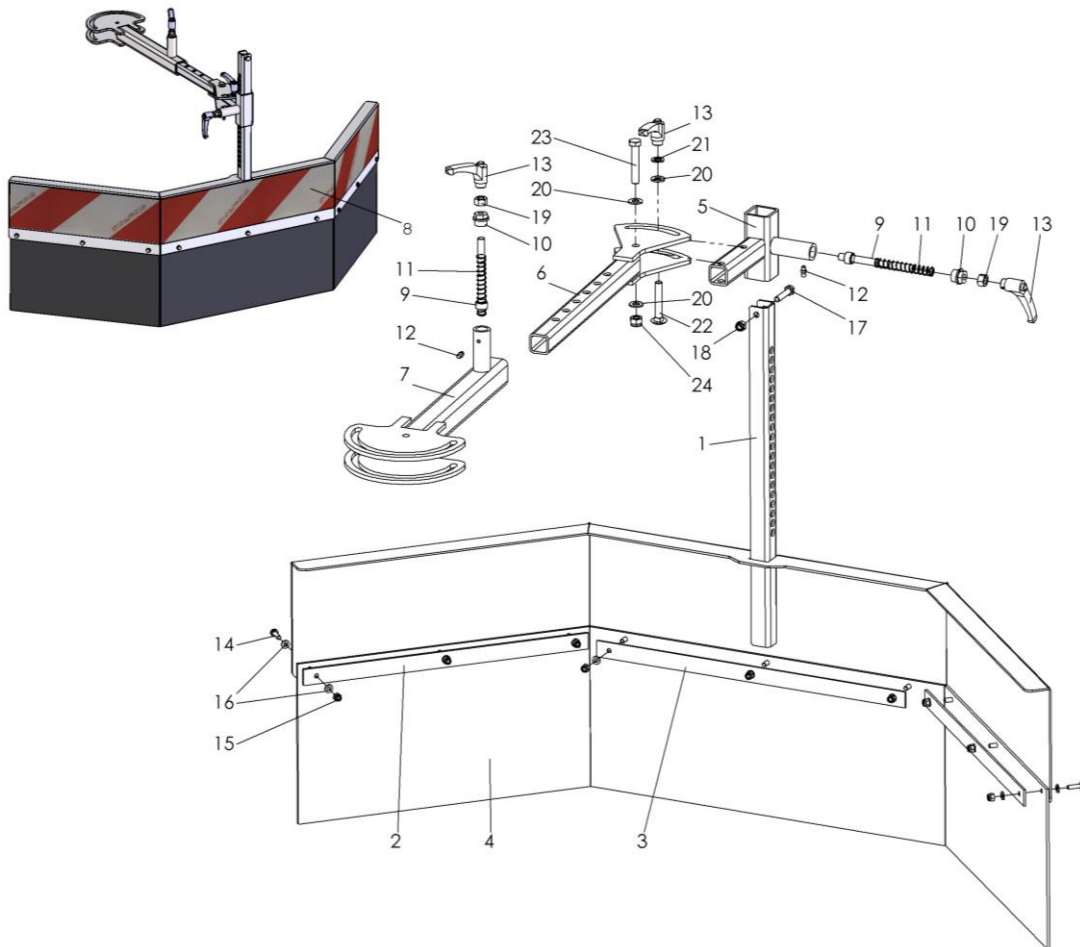
2.4.3 Drive unit clockwise for 1000 rpm - C07313 R00

No.	Art.-Num.	Num.	Designation
1	C06618	1	Hydraulic tank holder UB6080MH
2	C06455	1	UB mounting frame for FKDR
3	C06454	1	Mounting bracket swivel cylinder
4	C06453	1	Pivot bearing
5	C06668	1	Attachment attachment
6	C06669	2	Crossmember
7	C06803	2	Parking support screwable UB6080 M-H
8	750 000 016	2	Parking support
9	923 003 002	1	Protective pot
10	934 713 200	1	Hydraulic pump, anti-clockwise
11	C06800	1	Valve holding plate
12	C06621	1	Hydraulic tank compl.
13	937 210 762	1	Return filters
14	937 760 004	1	Filler neck
15	937 760 003	1	Sight glass with thermometer
16	922 205 002	1	Actuator with shaft
17	922 203 003	1	Profile jack
18	155 000 013	2	Mounting lever
19	907 145 000	2	Linch pin
20	901 806 016	2	Cheese head screw
21	905 106 000	2	Washer
22	905 006 000	2	Spring washer
23	901 008 016	8	Skt.-screw without shank
24	901 808 030	2	Cyl.-screw with hexagon socket
25	901 808 035	2	Cylinder head screw m. Allen / Allen
26	905 108 000	12	Washer
27	905 008 000	12	Spring washer
28	901 010 025	4	Skt.-screw without shank
29	901 010 030	4	Skt.-screw without shank
30	905 110 000	12	Washer
31	900 010 002	4	Stop mother
32	901 012 035	3	Skt.-screw without shank
33	901 012 045	2	Skt.-screw without shank
34	901 212 040	2	Countersunk screw with hexagon socket
35	905 012 000	2	Spring washer
36	905 112 000	10	Washer
37	900 012 002	5	Stop mother
38	901 016 045	6	Skt.-screw without shank
39	905 116 000	12	Washer
40	900 016 002	6	Stop mother
41	950 900 200	1	Speed sticker 1000rpm
42	950 900 250	1	Direction of rotation sticker right

2.4.4 Drive unit anti-clockwise for 1000 rpm - C07314 R00

No.	Art.-Num.	Num.	Designation
1	C06618	1	Hydraulic tank holder UB6080MH
2	C06455	1	UB mounting frame for FKDR
3	C06454	1	Mounting bracket swivel cylinder
4	C06453	1	Pivot bearing
5	C06668	1	Attachment attachment
6	C06669	2	Crossmember
7	C06803	2	Parking support screwable UB6080 M-H
8	750 000 016	2	Parking support
9	923 003 002	1	Protective pot
10	934 713 202	1	Hydraulic pump, clockwise
11	C06800	1	Valve holding plate
12	C06621	1	Hydraulic tank compl.
13	937 210 762	1	Return filters
14	937 760 004	1	Filler neck
15	937 760 003	1	Sight glass with thermometer
16	922 205 002	1	Actuator with shaft
17	922 203 003	1	Profile jack
18	155 000 013	2	Mounting lever
19	907 145 000	2	Linch pin
20	901 806 016	2	Cheese head screw
21	905 106 000	2	Washer
22	905 006 000	2	Spring washer
23	901 008 016	8	Skt.-screw without shank
24	901 808 030	2	Cyl.-screw with hexagon socket
25	901 808 035	2	Cylinder head screw m. Allen / Allen
26	905 108 000	12	Washer
27	905 008 000	12	Spring washer
28	901 010 025	4	Skt.-screw without shank
29	901 010 030	4	Skt.-screw without shank
30	905 110 000	12	Washer
31	900 010 002	4	Stop mother
32	901 012 035	3	Skt.-screw without shank
33	901 012 045	2	Skt.-screw without shank
34	901 212 040	2	Countersunk screw with hexagon socket
35	905 012 000	2	Spring washer
36	905 112 000	10	Washer
37	900 012 002	5	Stop mother
38	901 016 045	6	Skt.-screw without shank
39	905 116 000	12	Washer
40	900 016 002	6	Stop mother
41	950 900 200	1	Speed label 1000 rpm
42	950 900 251	1	Direction of rotation sticker left

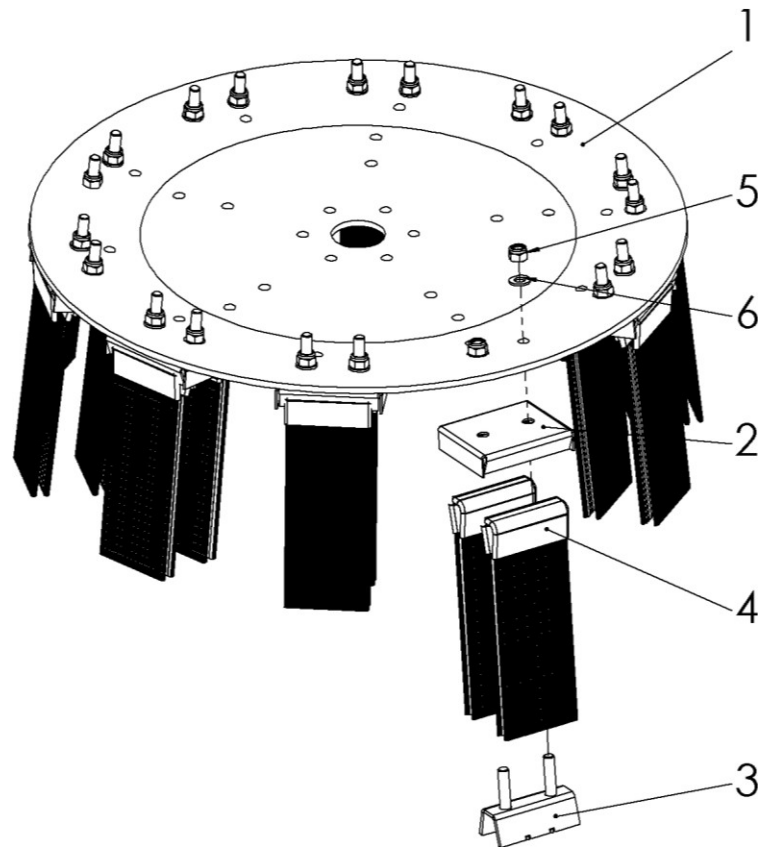
2.5 Splash guard - C06542 R00



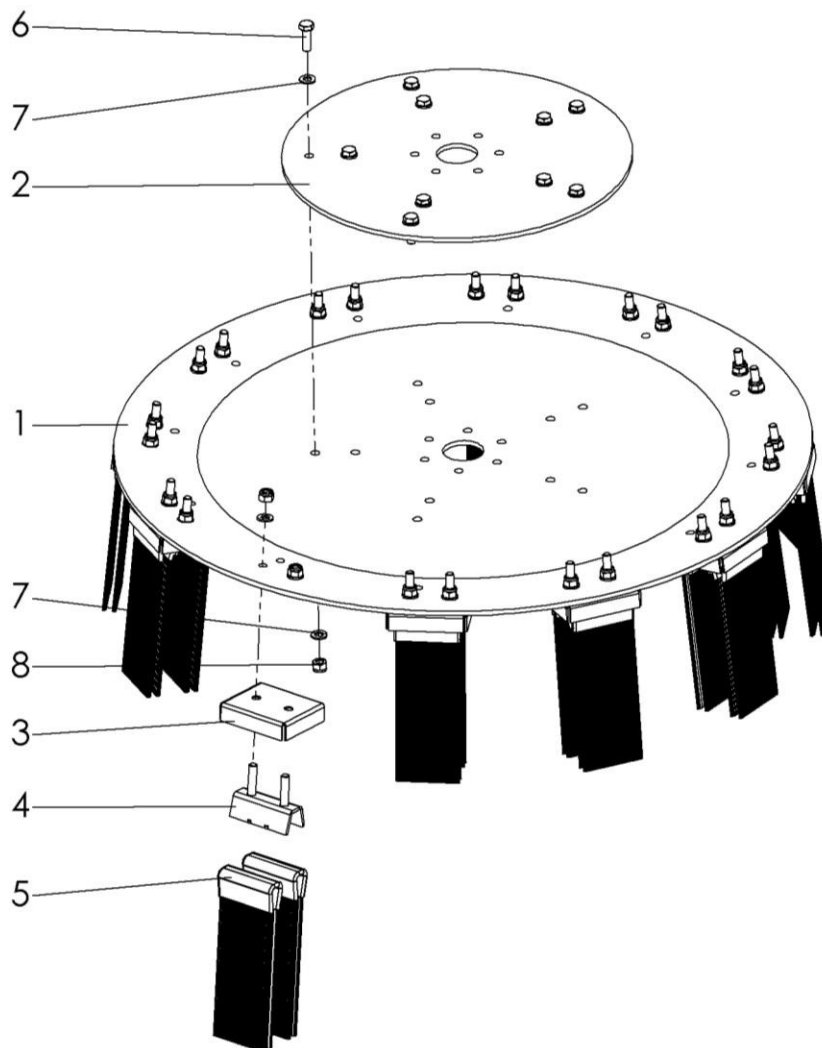
No.	Art.-Num.	Num.	Designation
1	C03703	1	Splash guard with signal band
2	C03811	2	Fixing strip 440
3	C03812	1	Mounting strip 500
4	C03813	1	Rubber splash flap
5	C03706	1	Guide tube for splash guard compl.
6	C06523	1	Swivel arm part 1
7	C06524	1	Swing arm part 2
8	C03816	1	Safety Labels
9	C03707	2	Locking pin with clamping function
10	C03708	2	Screw plug with thread
11	909 100 189	2	Compression spring
12	910 006 000	2	Grease nipple
13	941 200 210	3	Clamping lever
14	901 006 020	9	Skt.-screw without shank
15	900 006 002	9	Stopmutter
16	905 106 000	18	Washer
17	901 008 040	1	Skt. Screw with shank
18	900 008 002	1	Stop mother
19	900 010 001	2	Hexagon nut
20	905 110 000	3	Washer
21	905 010 000	1	Spring washer
22	901 910 060	1	Carriage bolt
23	901 110 060	1	Skt. Screw with shank
24	900 010 002	1	Stop mother

3 Accessories / Options

3.1 Brush plate Ø60cm - BT 060 FL - C02561 R01

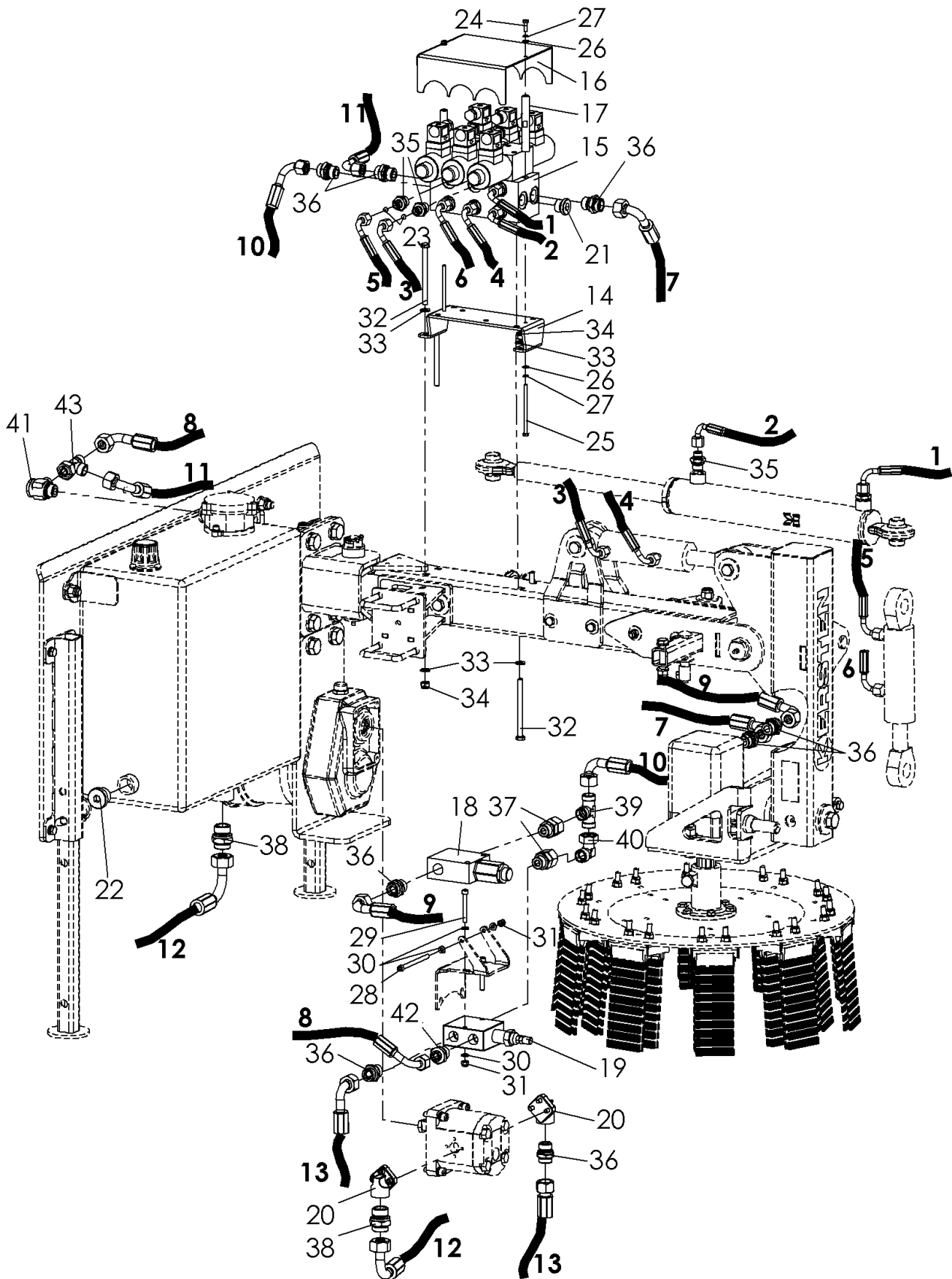


No.	Art.-Num.	Num.	Designation
1	C04316 R01	1	Brush plate
2	700 000 132	10	Brush holder, outer part
3	750 000 133	10	Brush holder, inner part
4	750 000 135	20	Wild herb tuft (mixed)
5	900 008 002	20	Stop mother
6	905 108 000	20	Washer

3.2 Brush plate Ø80cm - BT 080 DS-KU - C02563 R01


No.	Art.-Num.	Num.	Designation
1	750 000 050 R01	1	Brush plate 800mm
2	750 000 051	1	Reinforcing plate
3	700 000 132	12	Brush holder outer part
4	750 000 133	12	Brush holder, inner part
5	750 000 135	24	Wild herb tuft (mixed)
6	901 008 025	10	Skt.-screw without shank
7	905 108 000	44	Washer
8	900 008 002	34	Stop mother

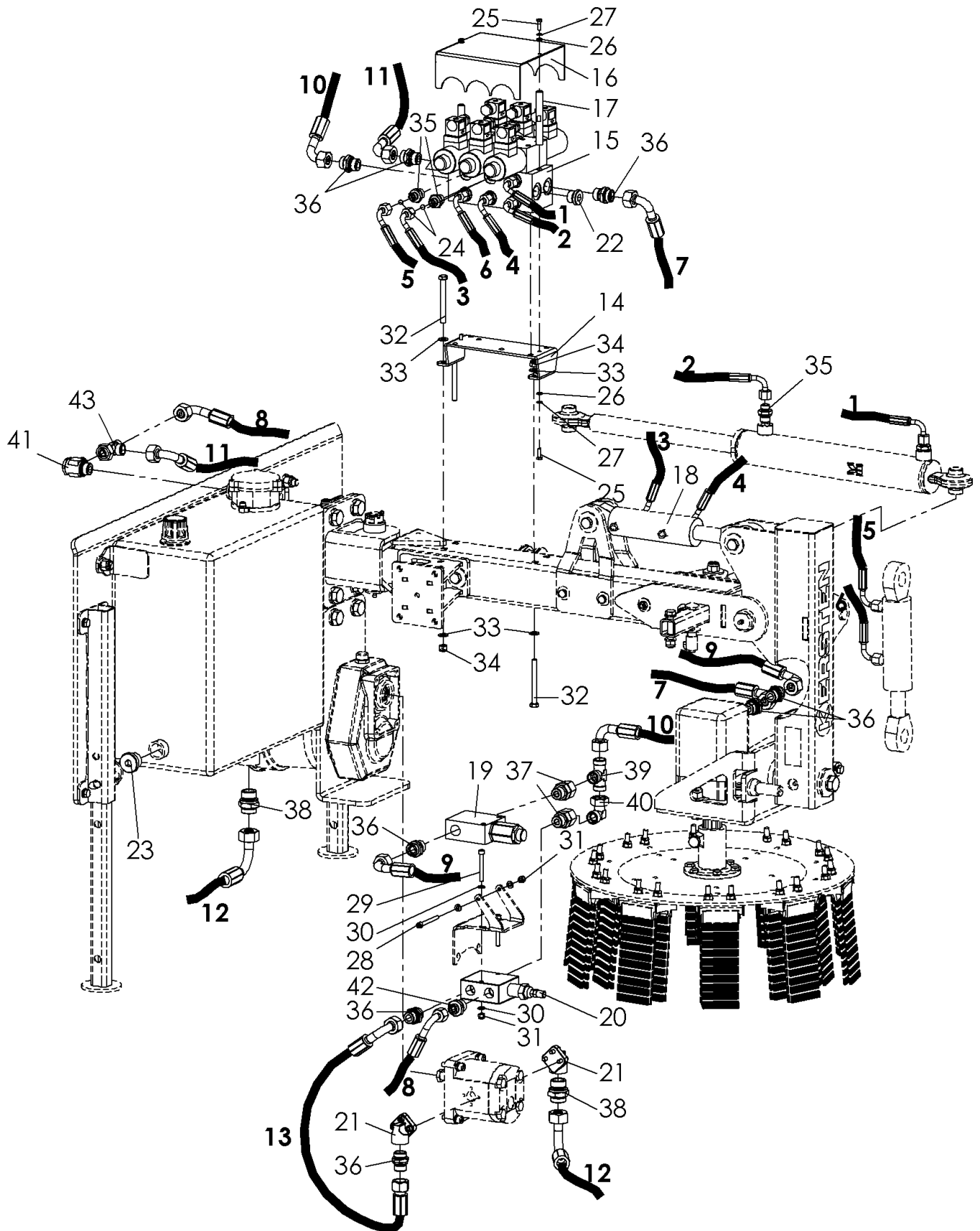
3.3 Hydraulic plan - clockwise - C07322 R00



Hydraulic plan - clockwise - C07322 R00

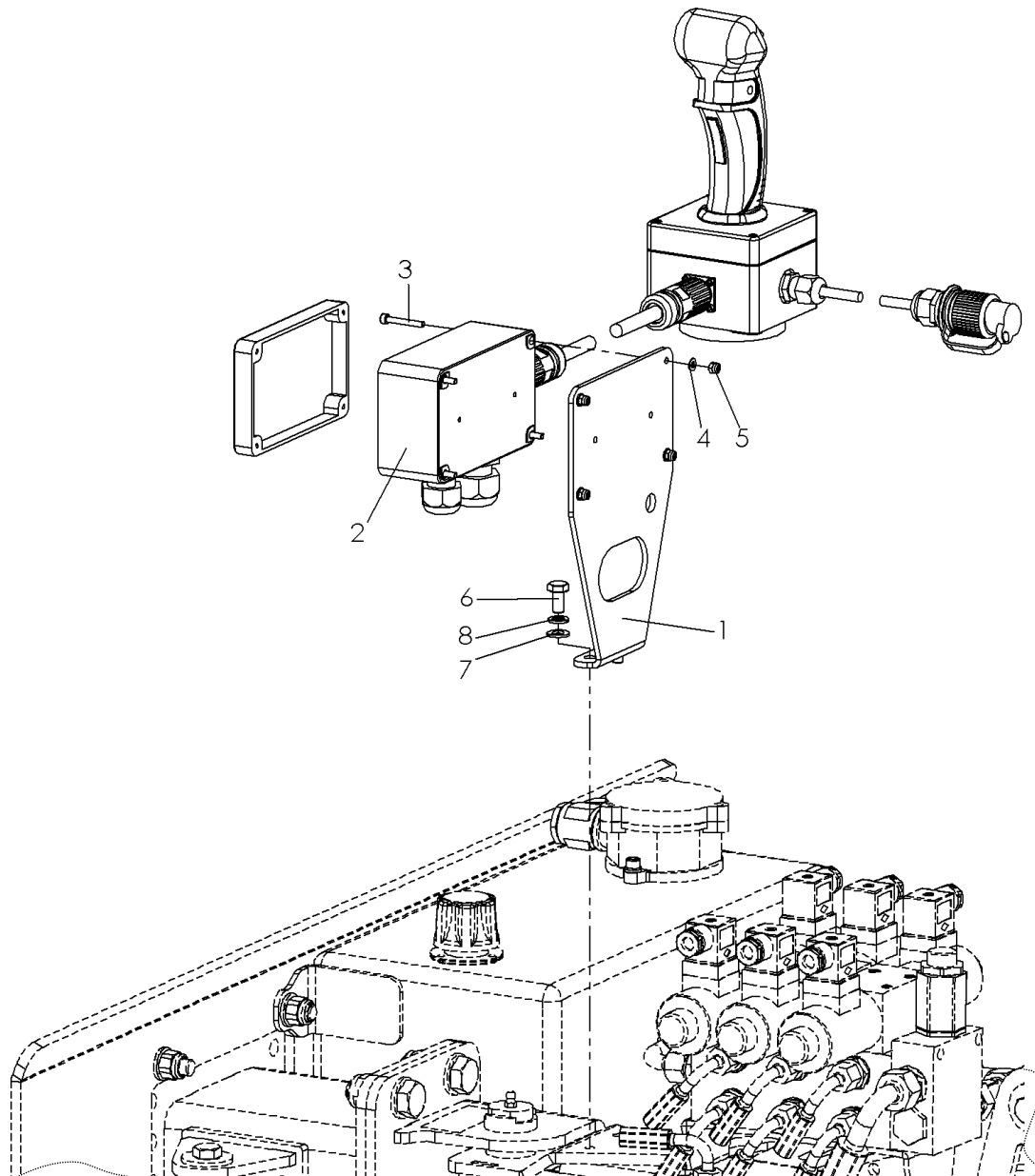
No.	Art.-Num.	Num.	Designation
Hydraulic hose set: 930 750 988			
1	930 750 050	1	Hydraulic hose
2	930 750 051	1	Hydraulic hose
3	930 750 052	2	Hydraulic hose
4			
5	930 750 053	2	Hydraulic hose
6			
Hydraulic hose set: 930 680 998			
7	930 680 002	1	Hydraulic hose
8	930 680 005	1	Hydraulic hose
9	930 680 001	1	Hydraulic hose
10	930 680 003	1	Hydraulic hose
11	930 680 004	1	Hydraulic hose
12	930 680 006	1	Hydraulic hose
13	930 680 007	1	Hydraulic hose
14	C05678	1	Valve carrier for UB
15	C06761	1	Solenoid valve compl.
16	C06784	1	Cover
17	C06785	2	Spacer
18	936 203 060	1	Pressure sequence valve
19	936 202 014	1	Pressure relief valve
20	937 337 012	2	Angle flange
20a	937 335 034	1	Angle flange
21	931 130 012	1	Screw
22	931 130 034	1	Closure dummy plug
23	936 008 010	2	Throttle disc
24	901 005 016	2	Skt.-screw without shank
25	901 005 085	2	Skt.-screw without shank
26	905 105 000	4	Washer
27	905 005 000	4	Spring washer
28	901 806 090	1	Cylinder head screw with Innenskt.
29	901 806 050	2	Cyl.-screw with inner-Skt.
30	905 106 000	6	Washer
31	900 006 002	3	Stop mother
32	901 108 100	4	Skt. Screw with shank
33	905 108 000	8	Washer
34	900 008 002	4	Stop mother
35	931 070 838	8	Hydraulic connection
36	931 071 512	8	Hydraulic connection
37	931 031 512	2	Hydraulic connection
38	931 071 834	2	Hydraulic connection
39	931 191 515	1	Hydraulic connection
40	931 061 500	1	Hydraulic connection
41	931 171 512	1	Hydraulic connection
42	931 071 212	1	Hydraulic connection
43	931 041 500	1	Hydraulic connection

3.4 Hydraulikplan- linksdrehend – C07321 R00

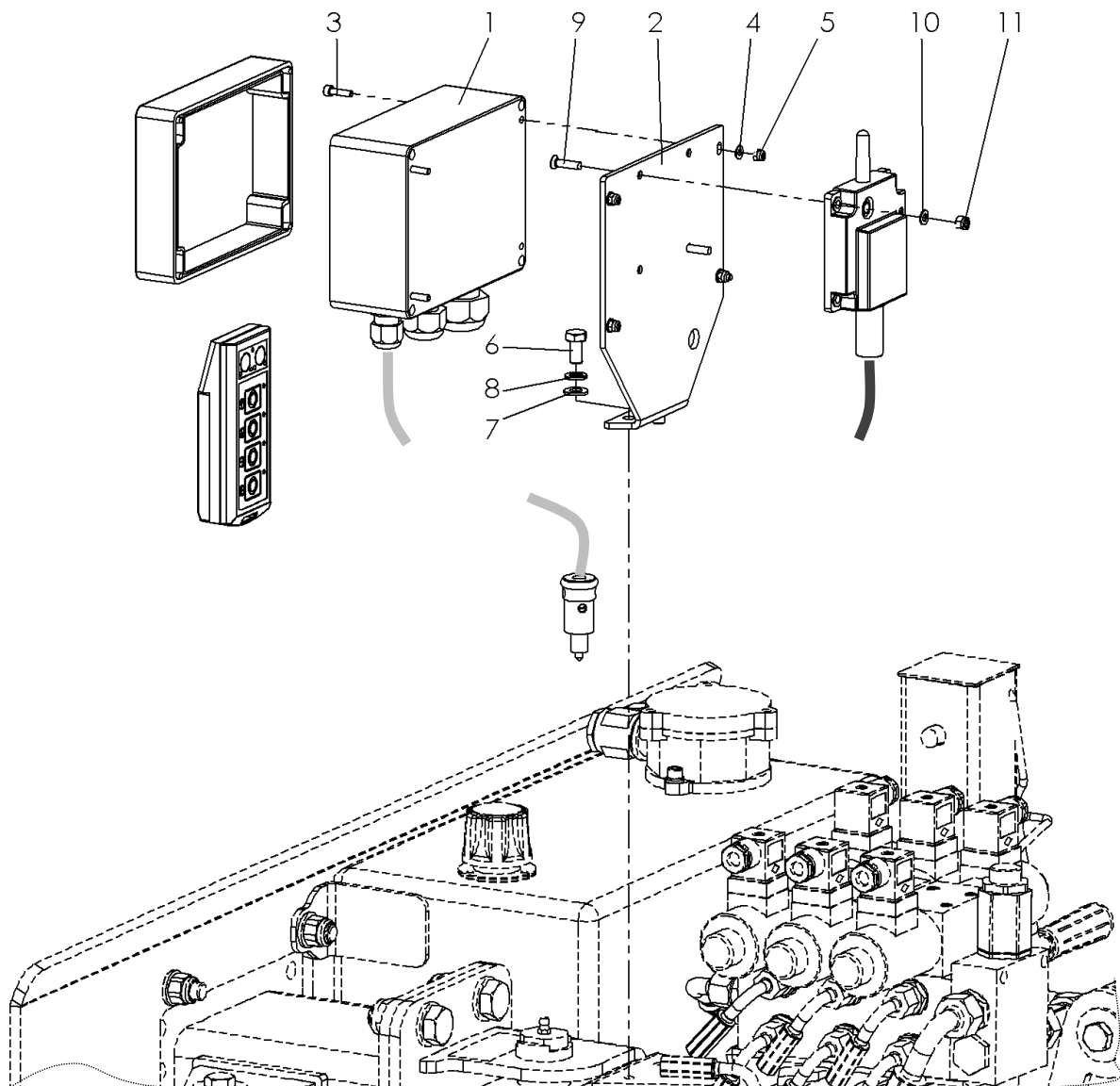


Hydraulic plan - anti-clockwise – C07321 R00

No.	Art.-Num.	Num.	Designation
Hydraulic plan - anti-clockwise: 930 750 988			
1	930 750 050	1	Hydraulic hose
2	930 750 051	1	Hydraulic hose
3	930 750 052	2	Hydraulic hose
4			
5	930 750 053	2	Hydraulic hose
6			
Hydraulic hose set: 930 680 998			
7	930 680 002	1	Hydraulic hose
8	930 680 005	1	Hydraulic hose
9	930 680 001	1	Hydraulic hose
10	930 680 003	1	Hydraulic hose
11	930 680 004	1	Hydraulic hose
12	930 680 006	1	Hydraulic hose
13	930 680 007	1	Hydraulic hose
14	C05678	1	Valve carrier for UB
15	C06761	1	Solenoid valve compl.
16	C06784	1	cover
17	C06785	2	spacer
18	933 102 060	1	cylinder
19	936 203 060	1	Pressure sequence valve
20	936 202 014	1	Pressure relief valve
21	937 337 012	2	angle flange
21a	937 335 034	1	angle flange
22	931 130 012	1	Closure dummy plug
23	931 130 034	1	Closure dummy plug
24	936 008 010	2	throttle disc
25	901 005 016	4	Skt.-screw without shank
26	905 105 000	4	Washer
27	905 005 000	4	spring washer
28	901 808 090	1	Cylinder head screw with Innenskt.
29	901 806 050	2	Cyl.-screw with inner-Skt.
30	905 106 000	6	Washer
31	900 006 002	3	Stop mother
32	901 108 100	4	Skt. Screw with shank
33	905 108 000	8	Washer
34	900 008 002	4	Stop mother
35	931 070 838	8	Hydraulic connection
36	931 071 512	8	Hydraulic connection
37	931 031 512	2	Hydraulic connection
38	931 071 834	2	Hydraulic connection
39	931 191 515	1	Hydraulic connection
40	931 061 500	1	Hydraulic connection
41	931 171 512	1	Hydraulic connection
42	931 071 212	1	Hydraulic connection
43	931 041 500	1	Hydraulic connection

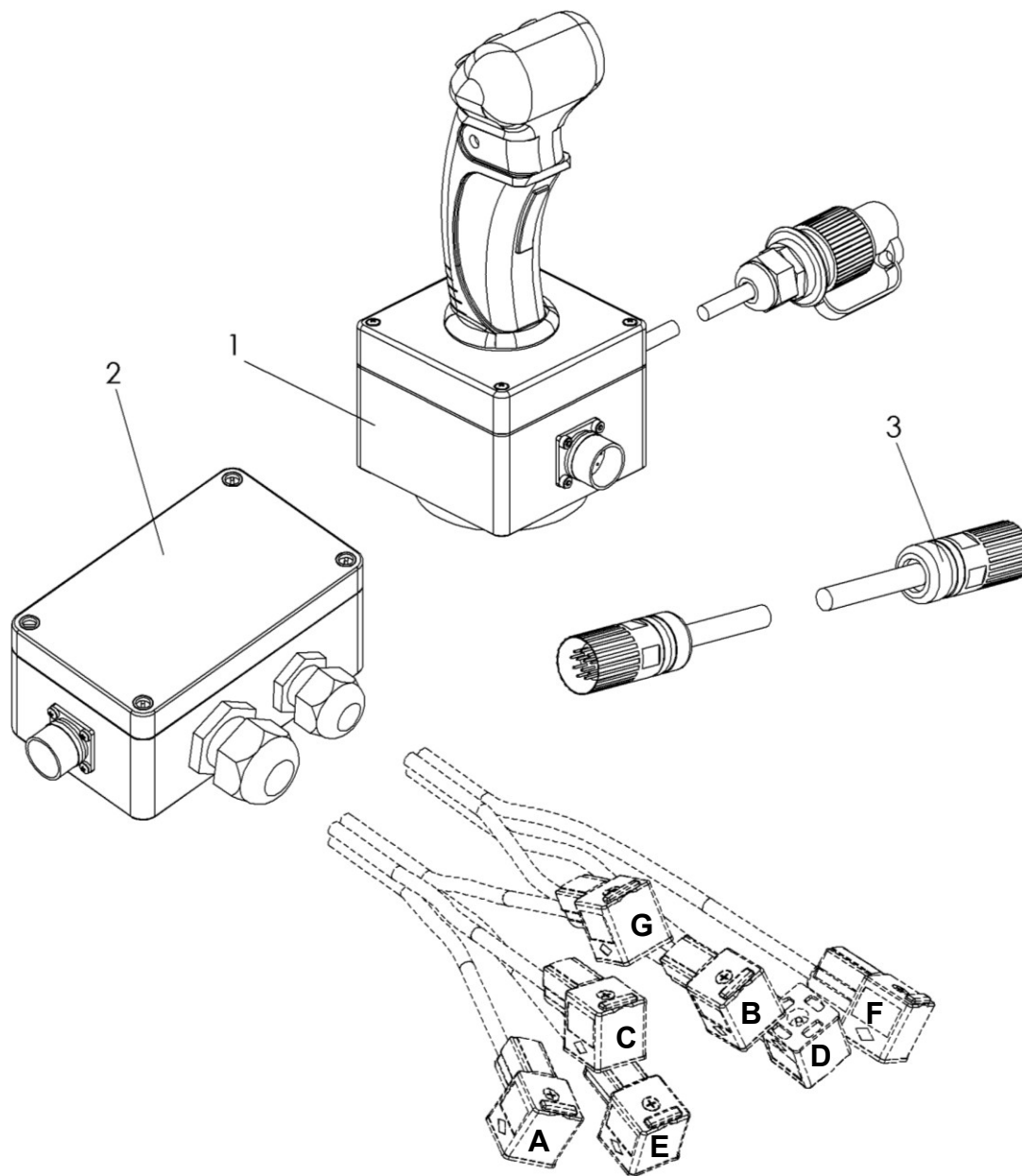
3.5 Control unit ST-UB with joystick control – C06779 R00


No.	Art.-Num.	Num.	Designation
1	C05677	1	Mounting plate junction box
2	936 014 287	1	Hydraulic kit
3	901 804 030	4	Cylinder head screw m. Allen
4	905 104 000	4	Washer
5	900 004 002	4	Stoppmutter
6	901 008 016	2	Skt.-screw without shank
7	905 108 000	2	Washer
8	905 008 000	2	Spring washer

3.6 Control unit ST-UB-RC with radio remote control - C06775 R00


No.	Art.-Num.	Num.	Designation
1	C06776	1	Control unit with radio remote control compl.
2	C05679	1	Junction box
3	901 804 016	4	Cylinder head screw m. Allen
4	905 104 000	4	Washer
5	900 004 002	4	Stop motherr
6	901 008 016	2	Skt.-screw without shank
7	905 108 000	2	Washer
8	905 008 000	2	Spring washer
9	901 405 020	2	Countersunk screw with cross recess
10	905 105 000	2	Washer
11	900 005 002	2	Stop motherr

3.7 Weed brush set compl. with joystick - 936 014 287



No.	Art.-Num.	Num.	Designation
1	C06374 R00	1	Joystick compl.
2	C06375 R00	1	Junction box compl.
3	C06373 R00	1	Connection cable

Kersten

SITE MAINTENANCE EQUIPMENT

Distributed in UK by
Kersten (UK) Ltd Tel. 0118 986 9253

Progress House
39 Boulton Road Reading, RG2 0NH
www.kerstenuk.com - info@kerstenuk.com