



# Spare Parts List

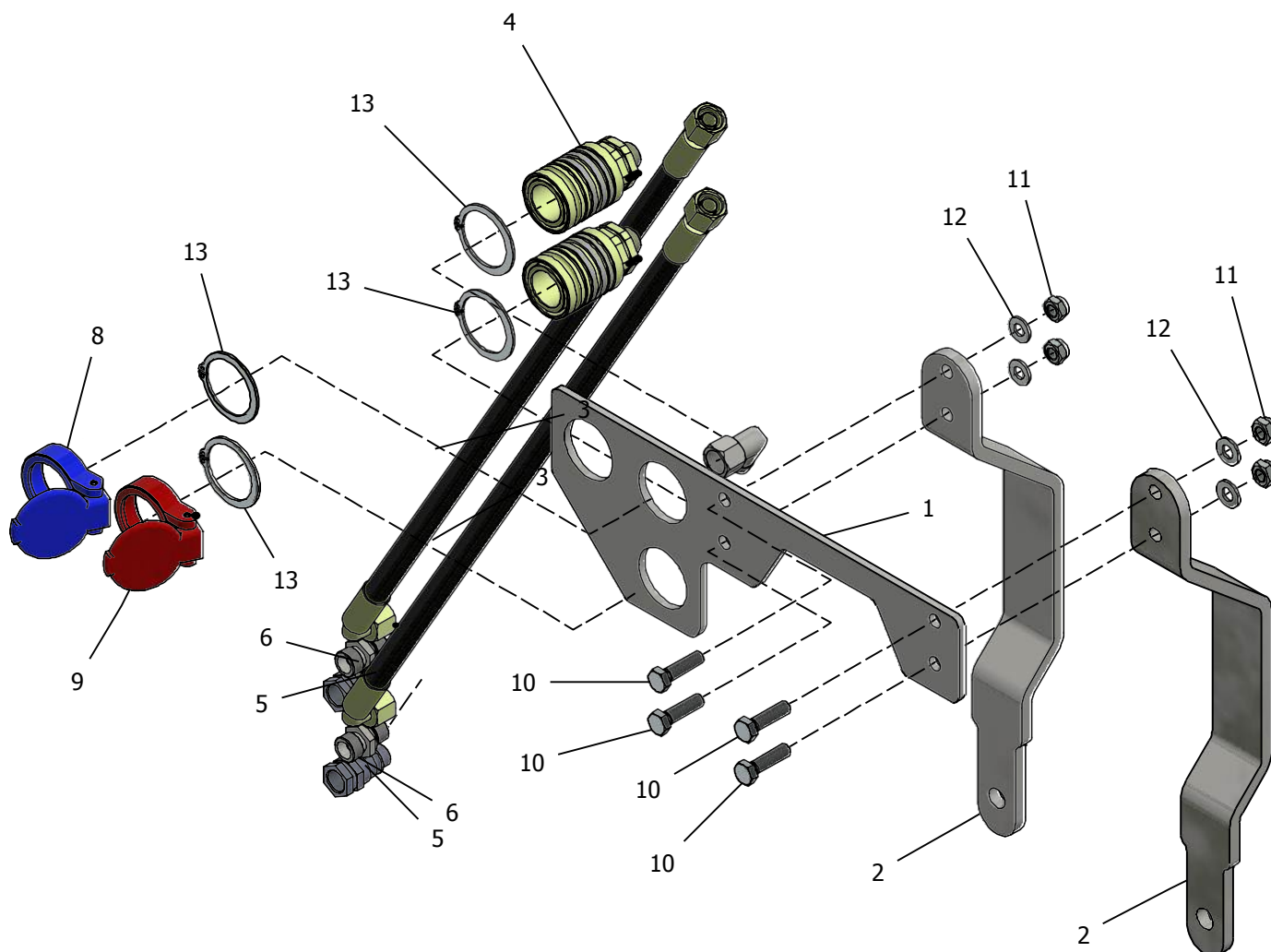
Device type: FPS-JD 2036R Hydraulic Extension Kit BG3 Model:  
FPS-JD 2036R hydraulic extension kit BG3

Order number: 131 8604

Stand: 28.08.2018

Copyright© matev 2016. All rights reserved

Ande Runge reseervations!



Pos.	Qty	Part number	Description	Size
1	1	06 004 629	holder for hydraulic plug	BG3
2	2	06 004 628	holder	
3	2	PRGA 000 411	Hydraulic hose	1SN08-1400-DKOL-DKOL90
4	2	01 000 204	hydraulic socket	BG3-10L
5	2	PRFK 043 061	Hydraulic plug	BG1-1/4"
6	2	PRGA 000 342	GE threaded union	1/4"-10L
8	1	01 000 213	clip cover for socket, yellow	BG3
9	1	01 001 166	clip cover for socket, black	BG3
11	4	PRDIN 985 231	Stop nut, Zn	DIN 985-M8-8
12	4	PRDIN 125 520	Washer, Zn	DIN 125-A-8
13	4	04 000 091	Lock ring	DIN 471-38x1,75
7	2	01 000 018	Angle bracket, adjustable	10L-90°
10	4	PRDIN 933 143	Hexagon screw, Zn	DIN 933-M8x30-8.8