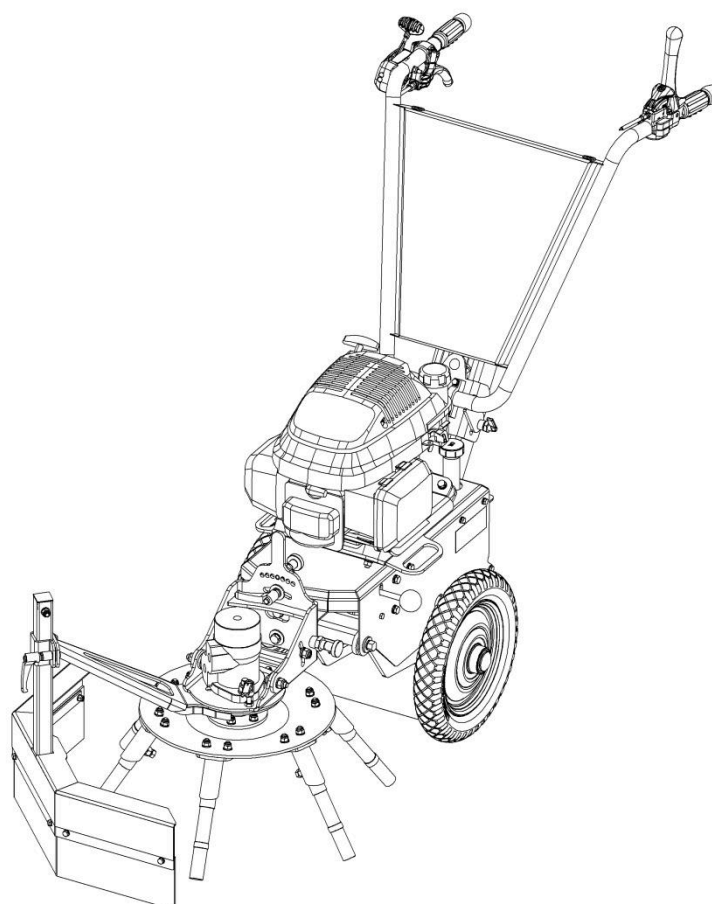




## Spare Parts List

### Weed Brush

#### WeeDo II



Order number: E00116

from machine number: 62954

Rev.: R00

Status: 05.12.2018



**Arealmaschinen GmbH**

Empeler Straße 95

D - 46459 Rees

[www.kersten-maschinen.de](http://www.kersten-maschinen.de)

Distributed in UK by

**Kersten (UK) Ltd**

Tel. 0118 986 9253

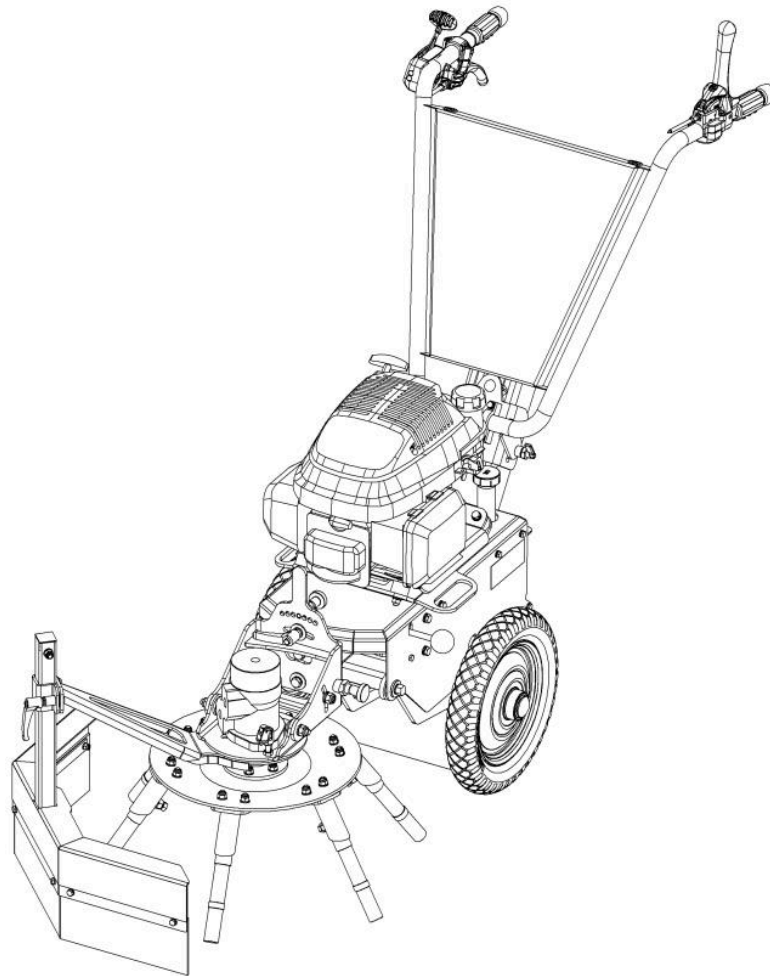
Progres House 39 Boulton Road Reading, RG2 0NH

[www.kerstenuk.com](http://www.kerstenuk.com)

[info@kerstenuk.com](mailto:info@kerstenuk.com)

<b>1</b>	<b>MODEL OVERVIEW</b>	<b>3</b>	
1.1	WEEDO MITB&S MOTOR- C10612 R00.....		3
1.2	WEEDO MITHONDAMOTOR- C10666 R00 .....		3
<b>2</b>	<b>COMPONENT OVERVIEW</b>	<b>4</b>	
2.1	ZCOMPOSITIONWEEDO- C10542 R00 .....		4
2.2	GROUND HOUSINGWEEDO- C10619 R00 .....		6
2.3	AWORKHEADWEEDO- C10620 R00.....		10
	10		
2.4	ADRIVE UNITB&S MOTORWEEDO- C10618 R00	.11	
2.5	ADRIVE UNITHONDAMOTORWEEDO- C10668 R00	12	
2.6	BEDIENKONSOLEWEEDO- C10615 R00.....		13
2.7	SSPLASH GUARDWEEDO- C10616 R00 .....		14
<b>3</b>	<b>ACCESSORIES / OPTIONS</b>	<b>15</b>	
3.1	BBUST PLATEØ 50CM- BT 050 DS - C10613 R00 .....		15
3.2	BBUST PLATEØ 50CM- BT 050 FL - C10632 R00 .....		16
3.3	HYDRAULIC SCHEMEWEEDO- C10663 R00.....		17
3.4	VLOADING FRAME- C10621 R00 .....		18

## 1 model overview



### 1.1 WeeDo with B&S engine - C10612 R00

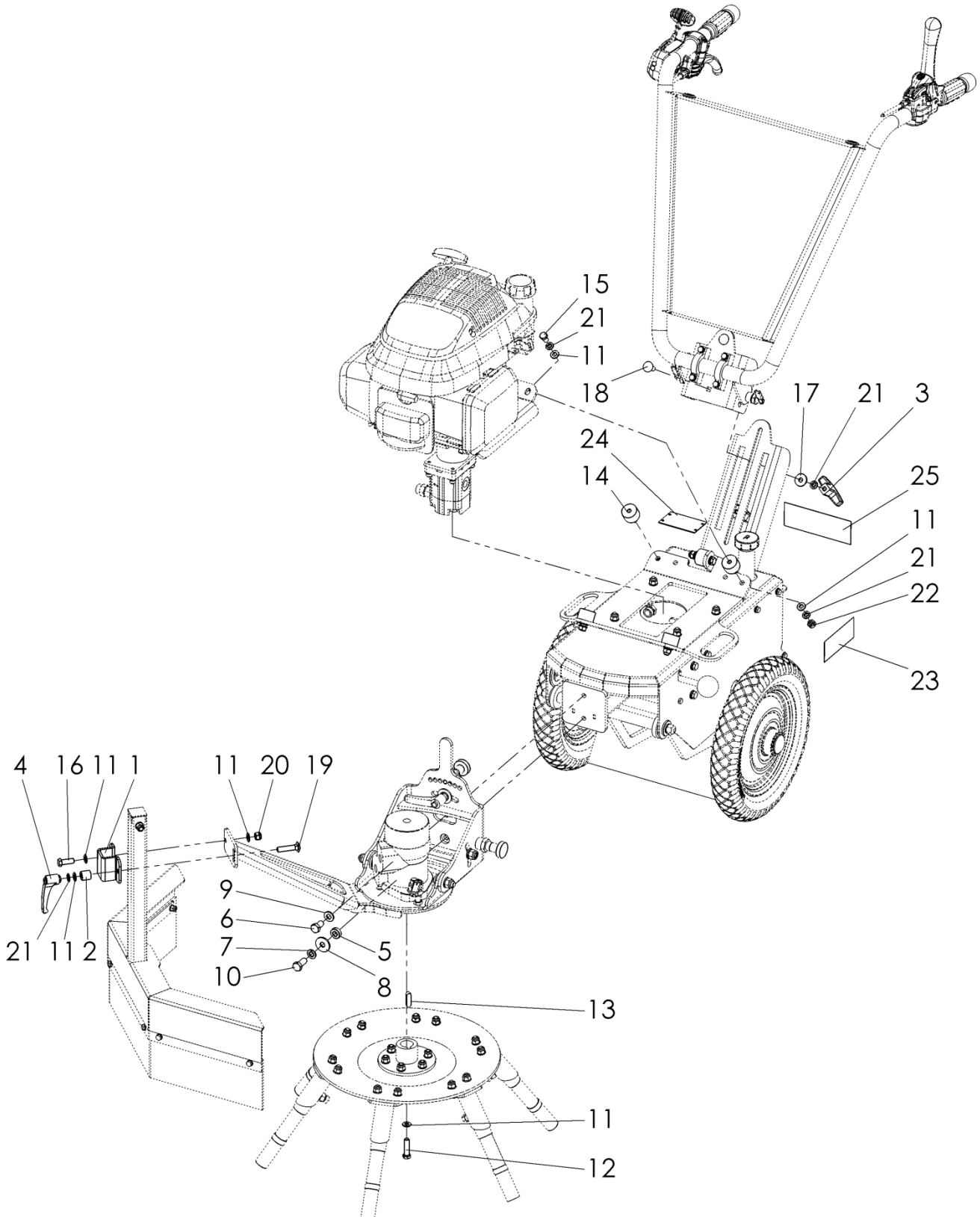
No.	Art.-No.	No.	designation
1	C10542 R00	1	assembly
2	C10619 R00	1	base housing
3	C10620 R00	1	attachment
4	C10618 R00	1	drive unit with B&S engine
5	C10615 R00	1	control console
6	C10616 R00	1	splash guard

### 1.2 WeeDo with Honda engine - C10666 R00

No.	Art.-No.	No.	designation
1	C10542 R00	1	assembly
2	C10619 R00	1	base housing
3	C10620 R00	1	attachment
4	C10668 R00	1	drive unit with Honda engine
5	C10615 R00	1	control console
6	C10616 R00	1	splash guard

## 2 Assembly overview

### 2.1 Assembly WeeDo - C10542 R00

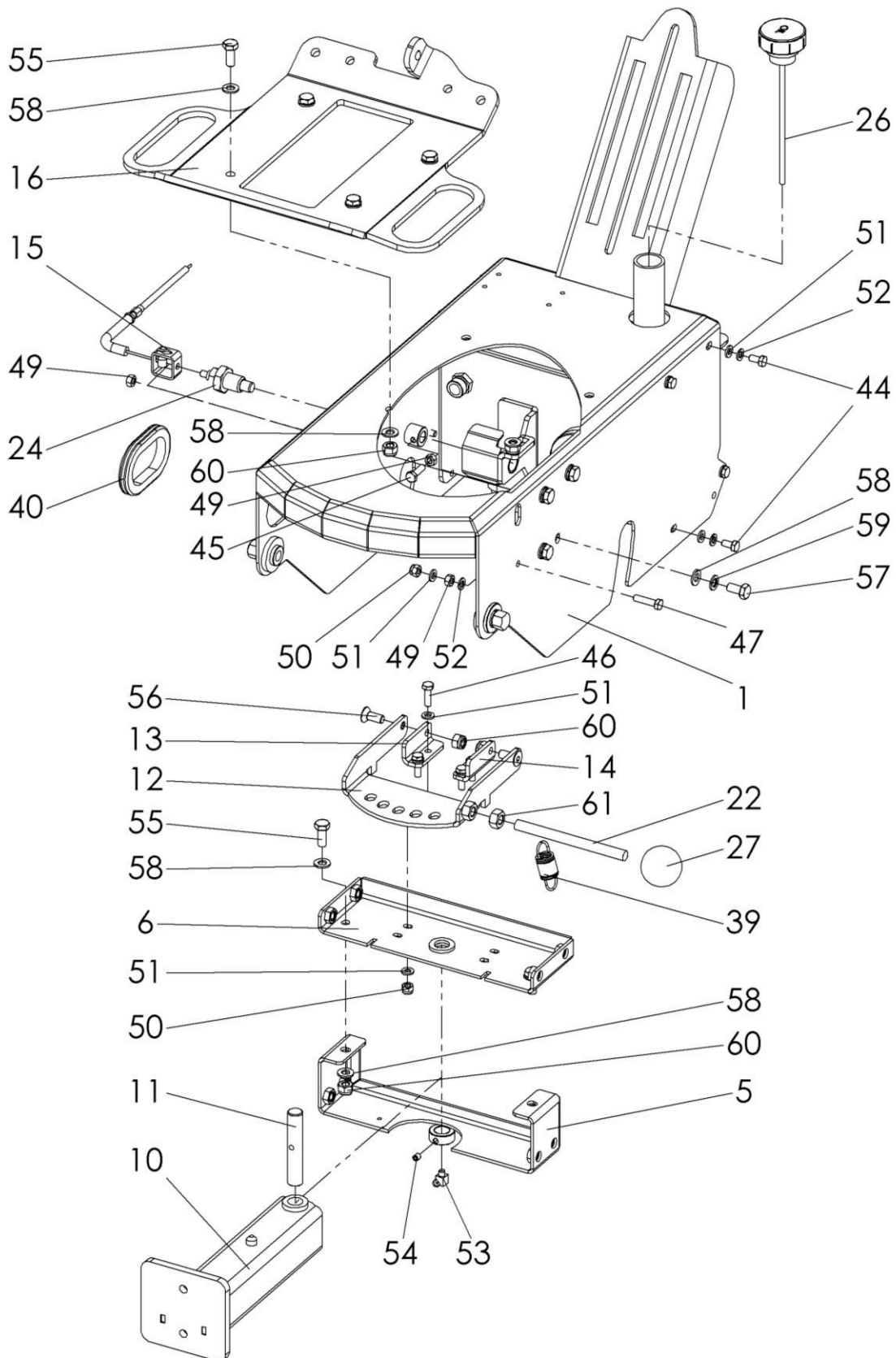


**Assembly WeeDo - C10542 R00**

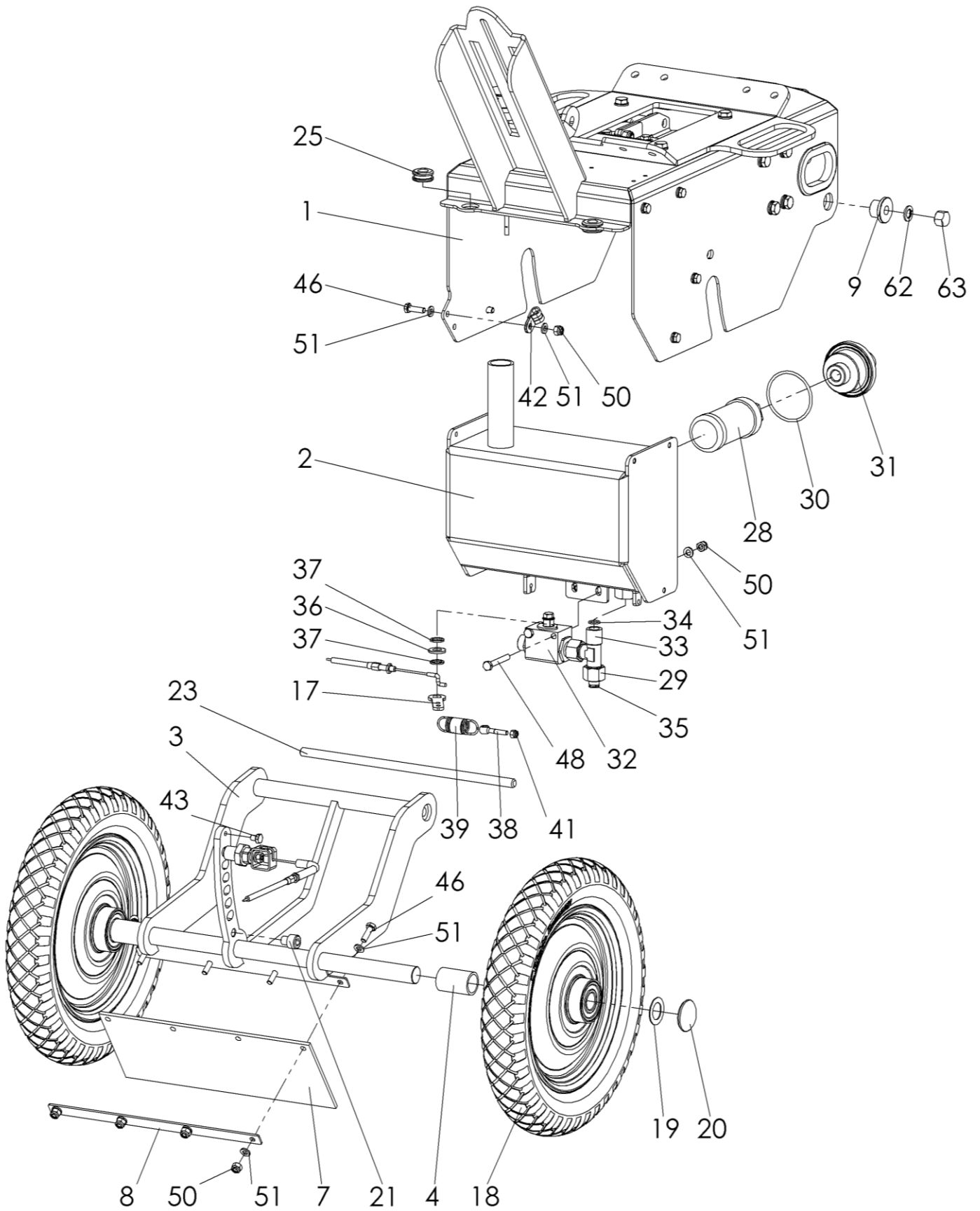
No.	Art.-No.	No.	Designation 1
1	C03517	1	pipe clamp
2	C04327	1	sleeve
3	941 250 678	2	T-handle
4	941 200 100	1	clamping lever
5	C10861	1	socket
6	901 010 020	1	hexagon screw without shaft
7	905,010,000	1	spring ring
8	905,210,000	1	K-disk
9	905,110,000	1	U-disk
10	901 010 025	1	hexagon screw without shaft
11	905,108,000	14	U-disk
12	901 008 035	1	hexagon screw without shaft
13	908 008 730	1	key
14	911 008 020	5	rubber-metal buffers
15	901 008 016	5	hexagon screw without shaft
16	901 008 025	1	hexagon screw without shaft
17	905 208 025	2	K-disk
18	901 908 025	2	carriage bolt
19	901 908 040	1	carriage bolt
20	900 008 002	2	lock nut
21	905 008 000	13	spring ring
22	900 008 001	4	Skt.-Mutter
23	950 900 090	1	stickers
24	950 900 070	1	type plate - Kersten
25	000 003 000	1	AVIA sticker

2.2 Basic housing WeeDo - C10619 R00

View 1



View 2





**Basic housing WeeDo - C10619 R00**

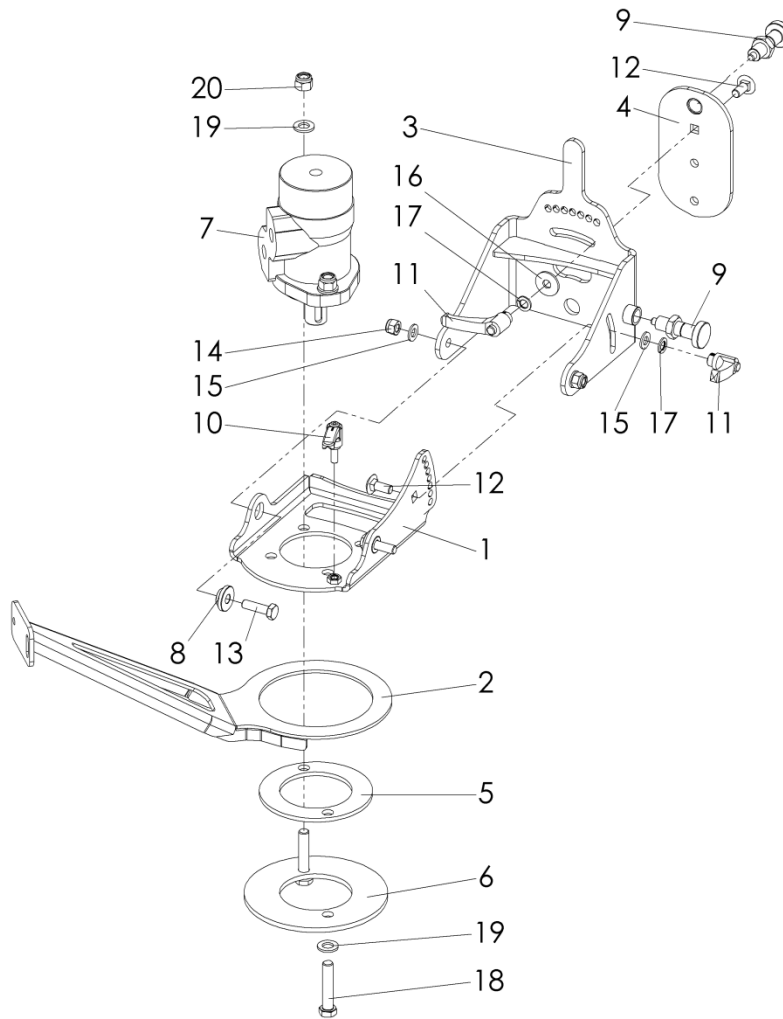
No.	Art.-No.	No.	Designation 1
1	C07433	1	Basic housing Weedo complete
2	C10528	1	tank complete
3	C10265	1	chassis
4	C10304	2	spacer sleeve for tires
5	C10480	1	Mounting bracket part 1 complete
6	C10479	1	Mounting bracket part 2 complete
7	C10499	1	small splash guard
8	C10495	1	retaining plate
9	C10484	2	socket
10	C10293	1	swivel frame complete
11	C07457	1	swivel axis
12	C10578	1	Swivel fixation, complete
13	C07462	1	Screw-on bracket swivel fixation right
14	C07463	1	Screw-on bracket swivel fixation left
15	C10322	1	Bowden cable holder
16	C07441	1	vibration console chassis
17	C10236	1	swivel lever stopcock
18	926 140 404	2	wheel
19	905 320 010	2	shim
20	906 911 020	2	Starlock locking ring
21	901 810 010	1	Socket head cap screw without shaft
22	902 410 110	1	stud screw set screw
23	C10535	1	long threaded rod
24	908 171 012	1	locking bolt with threaded pin
25	908 706 665	2	cable grommet double-sided
26	931 201 134	1	oil filler plug with dipstick
27	941 220 010	1	ball button
28	937 200 010	1	hydraulic oil filter
29	931 011 200	1	union nut
30	937 105 830	1	O-ring
31	110 000 135	1	tank screw connection with filter carrier
32	931 141 203	1	2-way shut-off valve
33	931 051 200	1	hydraulic screw connection
34	937 109 015	1	O-ring
35	931 131 200	1	blind plug
36	905 125 010	1	Nylon washer
37	937 116 015	2	copper ring
38	903 005 030	1	eyebolt
39	909 200 139	2	tension spring



**Basic housing WeeDo - C10619 R00**

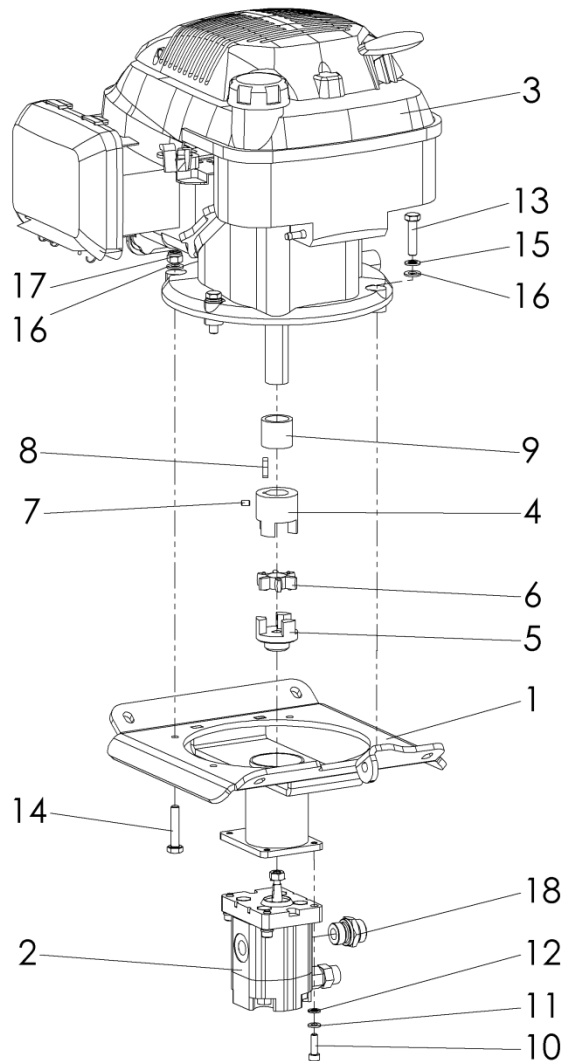
No.	Art.-No.	No.	Designation 1
40	908 706 667-1	1	cable grommet double-sided
41	900 005 002	1	lock nut
42	908 615 006	1	pipe clamp with rubber insert
43	901 006 008	1	hexagon screw without shaft
44	901 006 012	7	hexagon screw without shaft
45	901 006 016	1	hexagon screw without shaft
46	901 006 020	9	hexagon screw without shaft
47	901 006 025	1	hexagon screw without shaft
48	901 006 045	2	hexagon screw without shaft
49	900 006 001	3	Skt.-Mutter
50	900 006 002	12	lock nut
51	905,106,000	29	U-disk
52	905,006,000	8	spring ring
53	910 006 045	1	grease nipple
54	902 306 008	1	threaded pin with tip
55	901 008 020	6	hexagon screw without shaft
56	901 208 020	2	Countersunk screw with hexagon socket
57	901 008 016	8	hexagon screw without shaft
58	905,108,000	20	U-disk
59	905 008 000	8	spring ring
60	900 008 002	8	lock nut
61	900 010 001-1	1	Skt.-Mutter
62	905,010,000	2	spring ring
63	900 010 003	2	flat cap nut

### 2.3 Working head WeeDo - C10620 R00



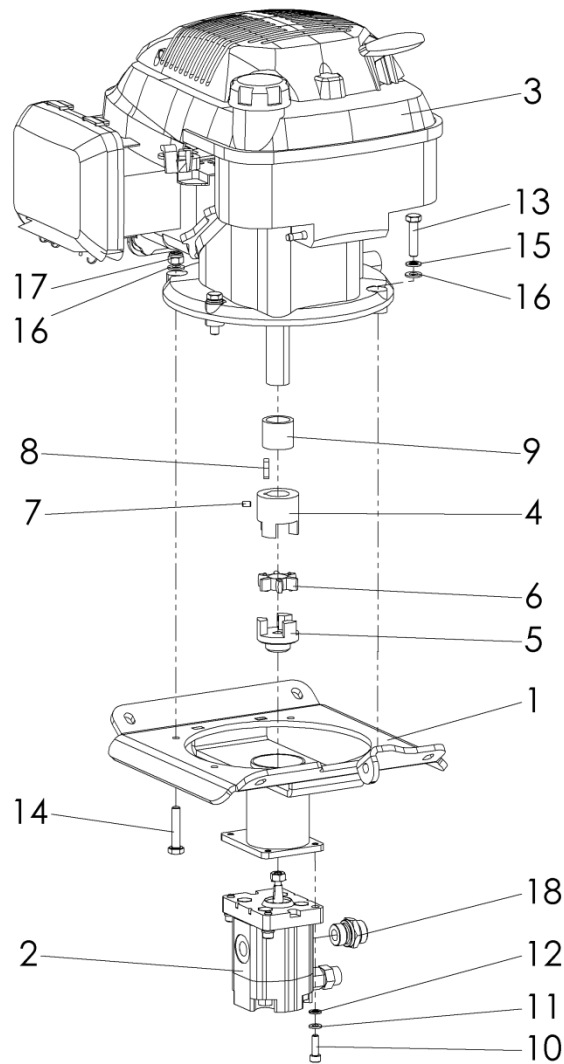
No.	Art.-No.	No.	Designation 1
1	C07253	1	engine mount
2	C10344	1	Splash guard arm complete
3	C07261	1	Plate swivel plate complete
4	C07259	1	Front plate complete
5	C10329	1	spacer
6	C10330	1	clamping disc
7	935 102 050	1	hydraulic motor
8	C06167	2	flange bushing
9	907 501 108	2	locking bolt
10	941 200 080	1	clamping lever, adjustable
11	941 200 210	2	clamping lever
12	901 910 025	2	carriage bolt
13	901 010 035	2	hexagon screw without shaft
14	900 010 002	2	lock nut
15	905,110,000	3	U-disk
16	905,210,000	1	K-disk
17	905,010,000	2	spring ring
18	901 112 060	2	hexagon screw with shaft
19	905,112,000	4	U-disk
20	900 012 002	2	lock nut

### 2.4 Drive unit B&S Motor WeeDo - C10618 R00



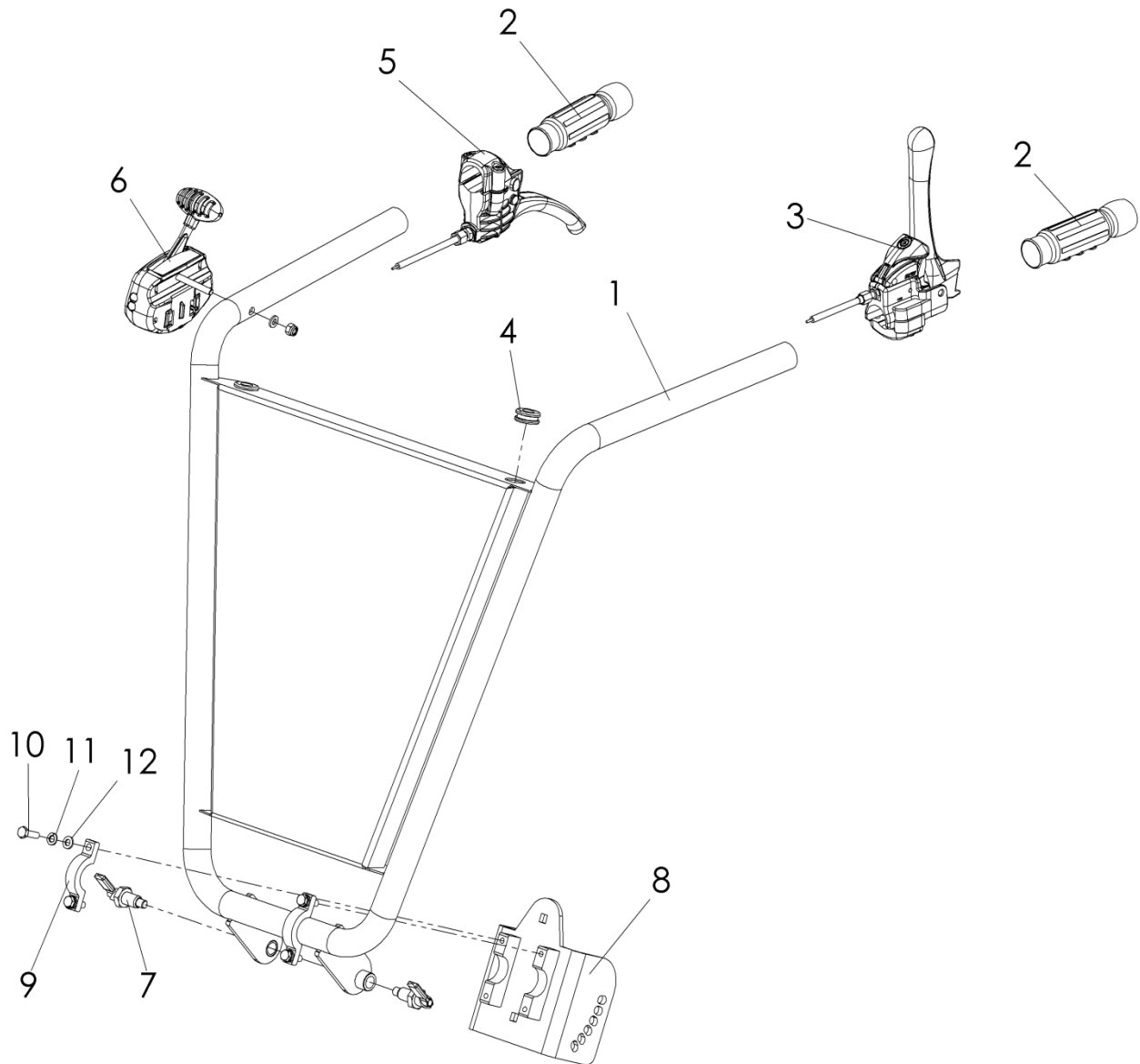
No.	Art.-No.	No.	Designation 1
1	C07442	1	vibration console with pump carrier
2	934 100 055-1	1	hydraulic pump
3	920 000 124	1	B&S Motor / 750 Series
4	925 101 025	1	clutch engine side
5	925 103 019	1	clutch hub
6	925 102 064	1	clutch driver
7	902 405 008	1	threaded pin
8	908 047 420	1	key
9	C10582	1	spacer bushing
10	901 806 020	4	Cylinder head screw with hexagon socket
11	905,106,000	4	U-disk
12	905,006,000	4	spring ring
13	901 008 035	3	hexagon screw without shaft
14	901 008 040	1	hexagon screw without shaft
15	905 008 000	3	spring ring
16	905,108,000	4	U-disk
17	900 008 002	1	lock nut
18	C10874		hydraulic screw connection, shortened

## 2.5 Drive Unit Honda Engine WeeDo - C10668 R00



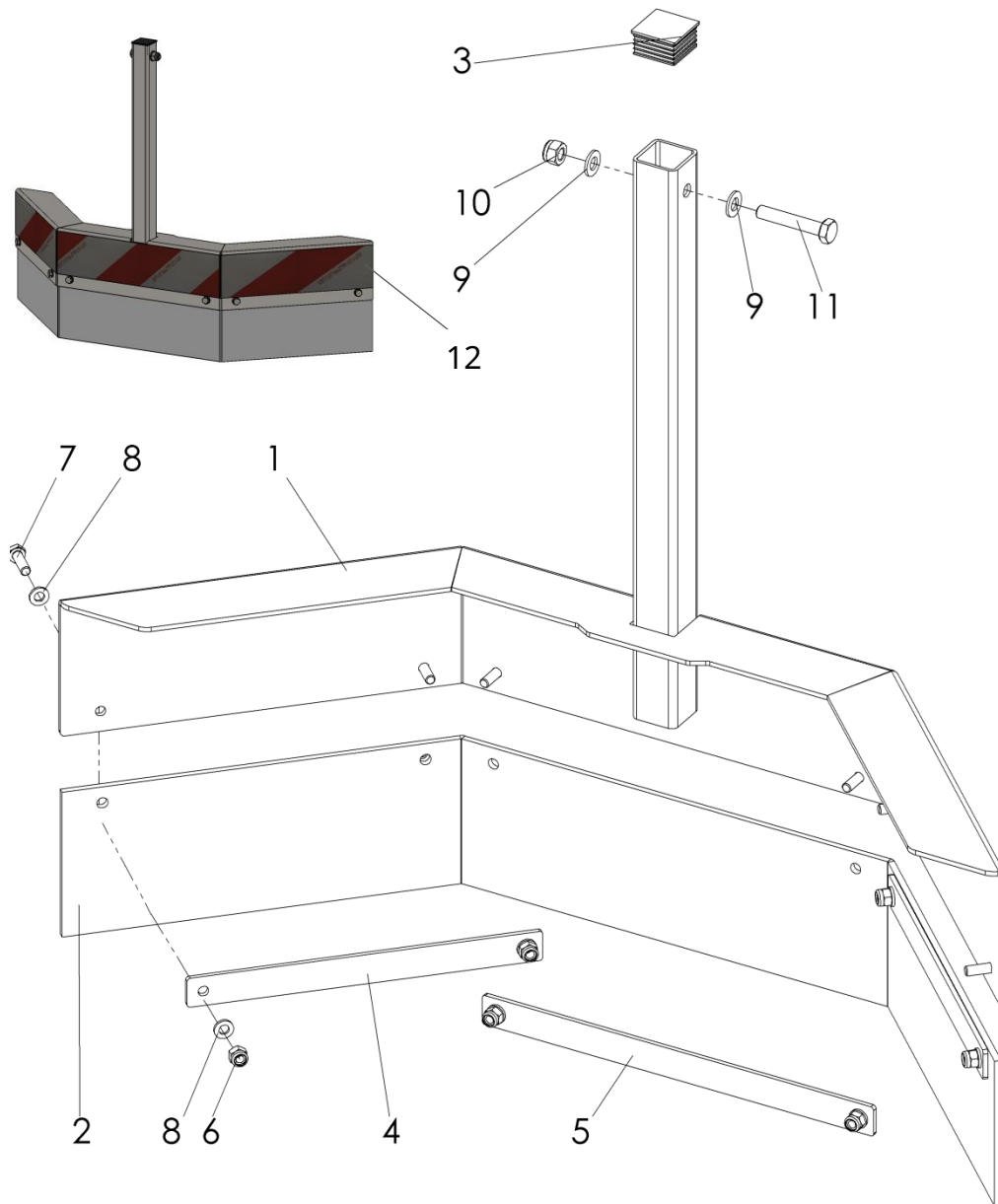
No.	Art.-No.	No.	Designation 1
1	C07442	1	vibration console with pump carrier
2	934 100 055-1	1	hydraulic pump
3	920 000 055	1	Honda engine 5.5 hp
4	925 101 025	1	clutch engine side
5	925 103 019	1	clutch hub
6	925 102 064	1	clutch driver
7	902 405 008	1	threaded pin
8	908 047 420	1	key
9	C10581	1	spacer bushing
10	901 806 020	4	Cylinder head screw with hexagon socket
11	905,106,000	4	U-disk
12	905,006,000	4	spring ring
13	901 008 035	3	hexagon screw without shaft
14	901 008 040	1	hexagon screw without shaft
15	905 008 000	3	spring ring
16	905,108,000	4	U-disk
17	900 008 002	1	lock nut
18	C10874		hydraulic screw connection, shortened

## 2.6 WeeDo control console - C10615 R00



No.	Art.-No.	No.	Designation 1
1	C10540	1	handrail complete
2	941 908 015	2	handle
3	941 050 181	1	Bowden cable ball valve
4	908 706 665	2	cable grommet double-sided
5	941 050 180	1	Bowden cable locking
6	941 130 712	1	throttle
7	907 501 112	2	locking bolt with lock nut
8	C07461	1	sliding console complete
9	C06491	2	pipe clamp
10	901 006 016	4	hexagon screw without shaft
11	905,006,000	4	spring ring
12	905,106,000	4	U-disk

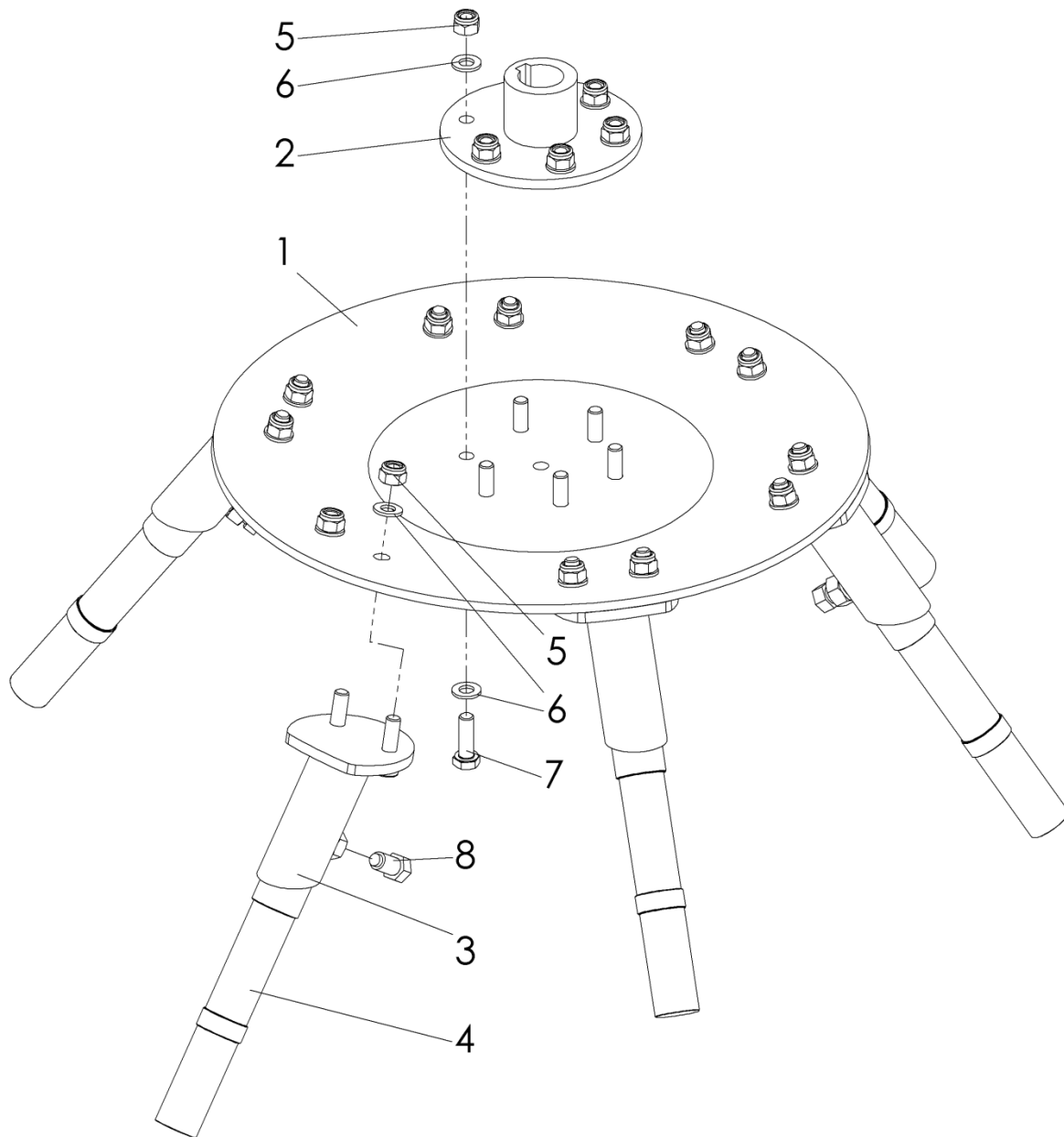
2.7 Splash guard WeeDo - C10616 R00



No.	Art.-No.	No.	Designation 1
1	C10345	1	Splash guard complete
2	C10312	1	rubber splash flaps
3	943 130 303	1	protective cap
4	C10342	2	counter screw strip short
5	C10343	1	counter screw strip long
6	900 006 002	6	lock nut
7	901 006 020	6	hexagon screw without shaft
8	905,106,000	12	U-disk
9	905,108,000	2	U-disk
10	900 008 002	1	lock nut
11	901 008 045	1	hexagon screw without shaft
12	C10669	1	safety stickers

**3 Accessories / Options**

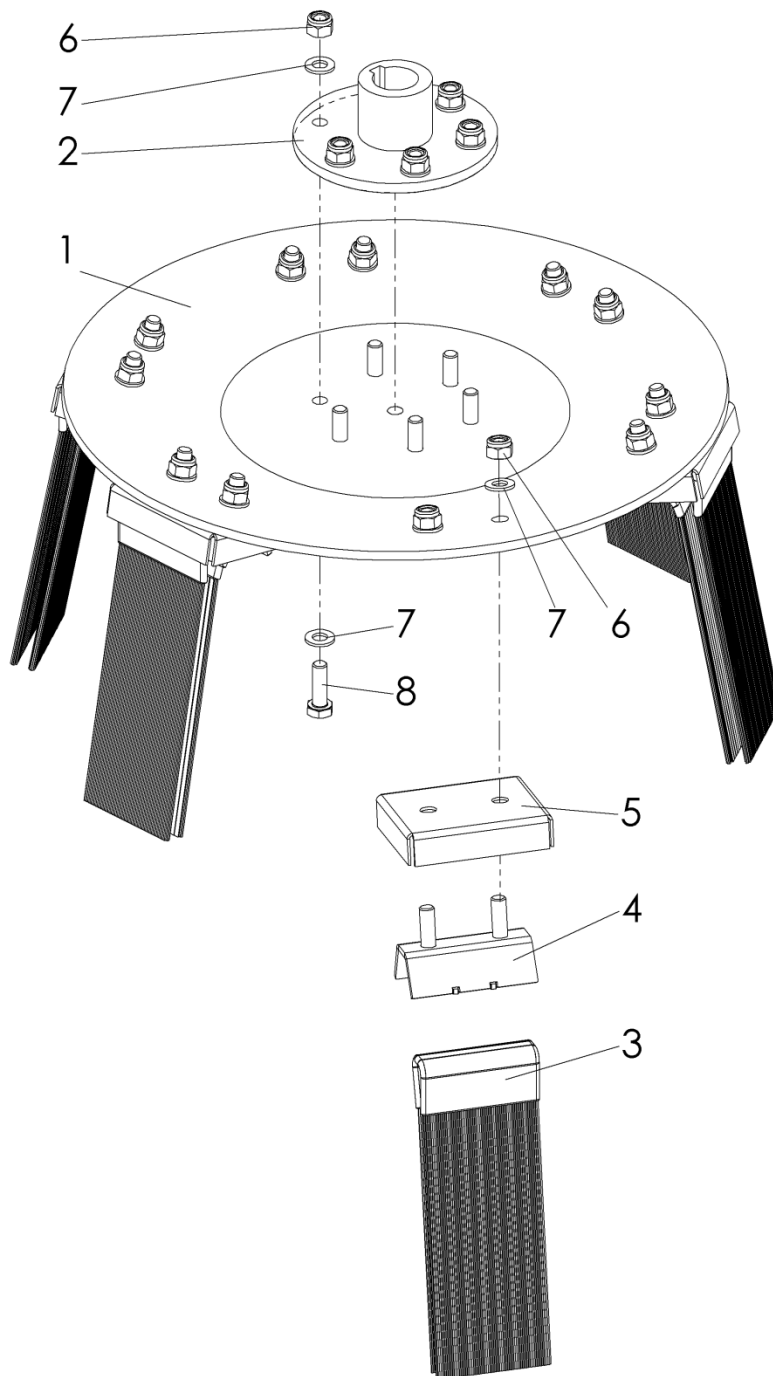
**3.1 Brush plate Ø 50 cm - BT 050 DS - C10613 R00**



No.	Art.-No.	No.	Designation 1
1	C10584	1	brush plate 6 tools
2	700 000 130	1	mounting flange, complete
3	C10487	6	Recording complete
4	106 780 200	6	wire rope braid
5	900 008 002	18	lock nut
6	905,108,000	24	U-disk
7	901 008 025	6	hexagon screw without shaft
8	902 510 020	6	screw with shoulder tip

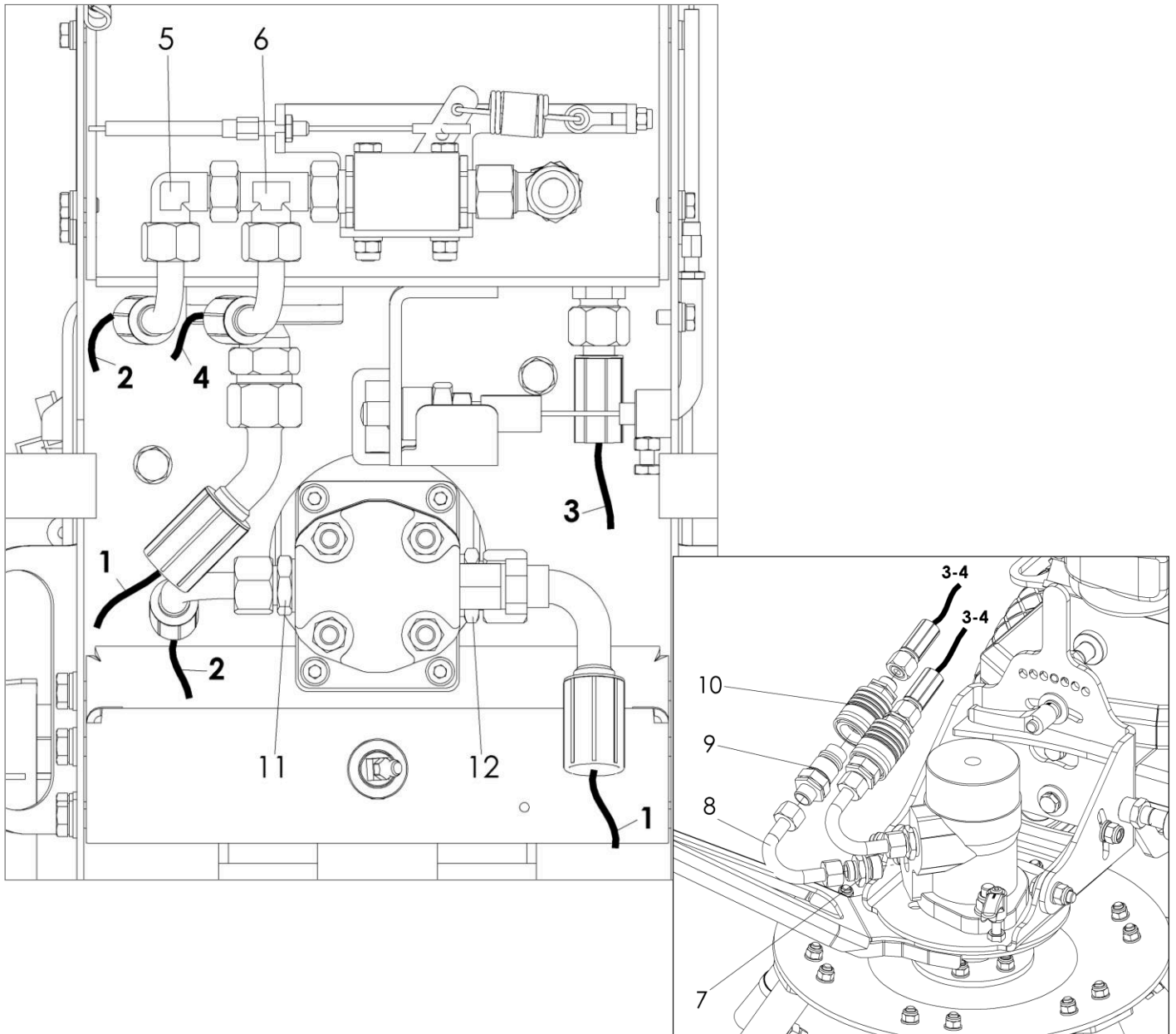


### 3.2 Brush plate Ø 50 cm - BT 050 FL - C10632 R00



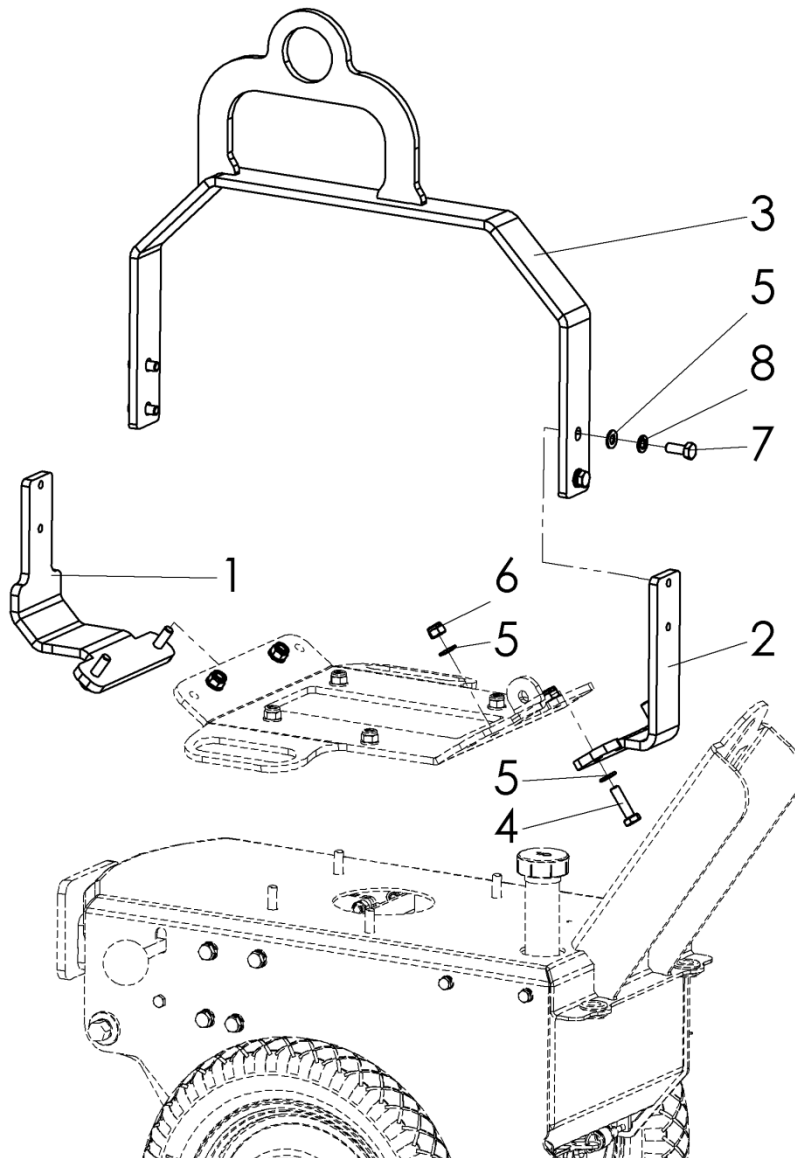
No.	Art.-No.	No.	Designation 1
1	C10584	1	brush plate 6 tools
2	700 000 130	1	Flange brush plate, complete
3	750 000 135	6	clump of wild herbs
4	700 001 133	6	brush holder wide
5	700,000,132	6	brush holder outer part
6	900 008 002	18	lock nut
7	905,108,000	24	U-disk
8	901 008 025	6	hexagon screw without shaft

### 3.3 Hydraulic diagram WeeDo - C10663 R00



No.	Art.-No.	No.	designation
Hydraulic hose set: 930 750 991			
1	930 750 060	1	hydraulic hose
2	930 750 061	1	hydraulic hose
3	930 750 062	1	hydraulic hose
4	930 750 063	1	hydraulic hose
5	931 061 200	1	hydraulic screw connection
6	931 041 200	1	hydraulic screw connection
7	931 071 212	2	hydraulic screw connection
8	C10379	2	hydraulic line
9	932 131 323	2	hydraulic connector
10	932 231 223	2	hydraulic sleeve
11	931 071 238	1	hydraulic screw connection
12	C10874	1	hydraulic screw connection

### 3.4 Loading frame - C10621 R00



No.	Art.-No.	No.	Designation 1
1	C10551	1	angle
2	C10556	1	small angle
3	C10559	1	support arm complete
4	901 008 030	4	hexagon screw without shaft
5	905,108,000	12	U-disk
6	900 008 002	4	lock nut
7	901 008 020	4	hexagon screw without shaft
8	905 008 000	4	spring ring