

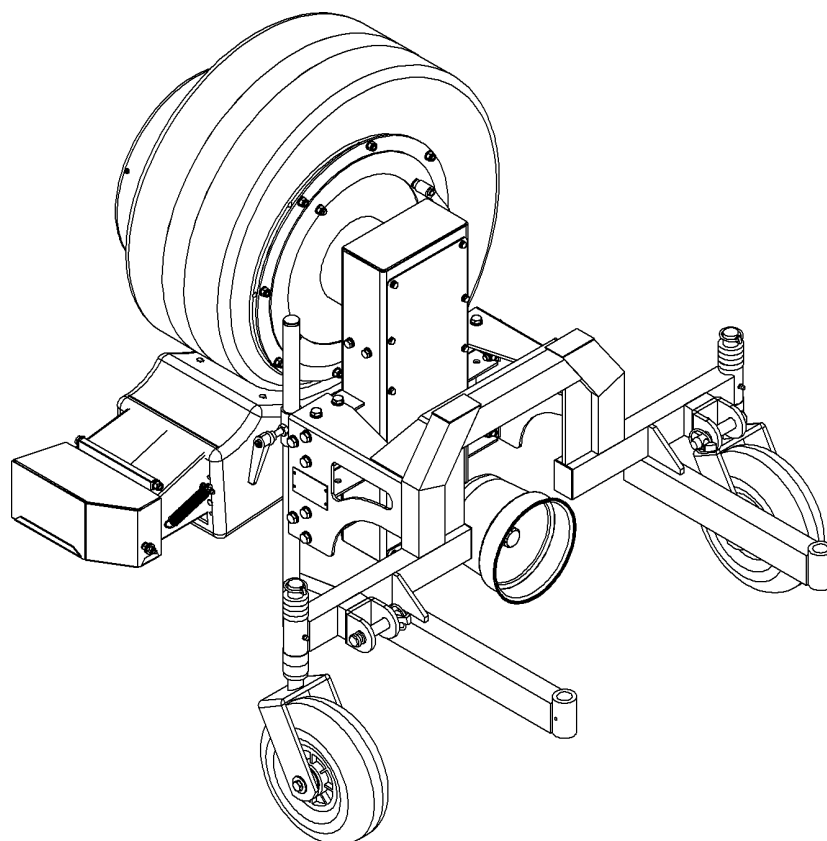


Spare Parts Lists

Leaf blower for carrier vehicles

Models LBV 3300 M ABR / LBV 3300 H ABR

LBV 4300 M ABR / LBV 4300 H ABR



Order number: E00036 from machine no.: Rev.: R02 Stand: 21.11.2013



Manufactured by
Kersten Arealmaschinen GmbH
Empeler Straße 95
D - 46459 Rees
www.kersten-maschinen.de



Distributed in UK by
Kersten (UK) Ltd Tel. 0118 986 9253
Progrees House
39 Boulton Road Reading, RG2 0NH
www.kerstenuk.com - info@kerstenuk.com

Table of Contents

1	MODEL OVERVIEW	1
1.1	Leaving Blower LBV 3300 for Kubota flat Mowers.....	1
1.2	Leaving Blower LBV 4300 for Kubota flat Mowers.....	1
2	ASSEMBLY OVERVIEW.....	2
2.1	MOUNTING FRAME WITH TWO-POINT RECORDING - C01686 R01.....	2
2.2	DRIVETRAIN WITH DIRECT DRIVE FOR 2,000 RPM RIGHT- handed - C01685 R01.....	4
2.3	DRIVETRAIN WITH GEARBOX FOR 540 RPM - C01724 R01.....	5
2.4	DRIVETRAIN WITH GEARBOX FOR 1,000 RPM - C01752 R01.....	6
2.5	DRIVETRAIN WITH GEARBOX FOR 2,000 RPM - C01753 R01.....	7
2.6	DRIVETRAIN WITH HYDRAULIC DRIVE - C02688 R01.....	8
2.7	BLOWER ADAPTER FOR LBV 4300 - C01672 R00.....	9
2.8	BLOWER ADAPTER FOR LBV 4300 - C01672 R00.....	10
2.9	V-BELT HOUSING FOR DIRECT DRIVE - C01674 R01.....	11
2.10	V-BELT CASE FOR TRANSMISSION - C01725 R01.....	12
2.11	V-BELT HOUSING FOR HYDRAULIC DRIVE - C02687 R01.....	13
3	ACCESSORIES	14
3.1	HYDRAULICALLY ADJUSTABLE BLOW FUNNEL C02054 R00.....	14

1 Model Overview

1.1 Leaf blower LBV 3300 for Kubota lawn mowers

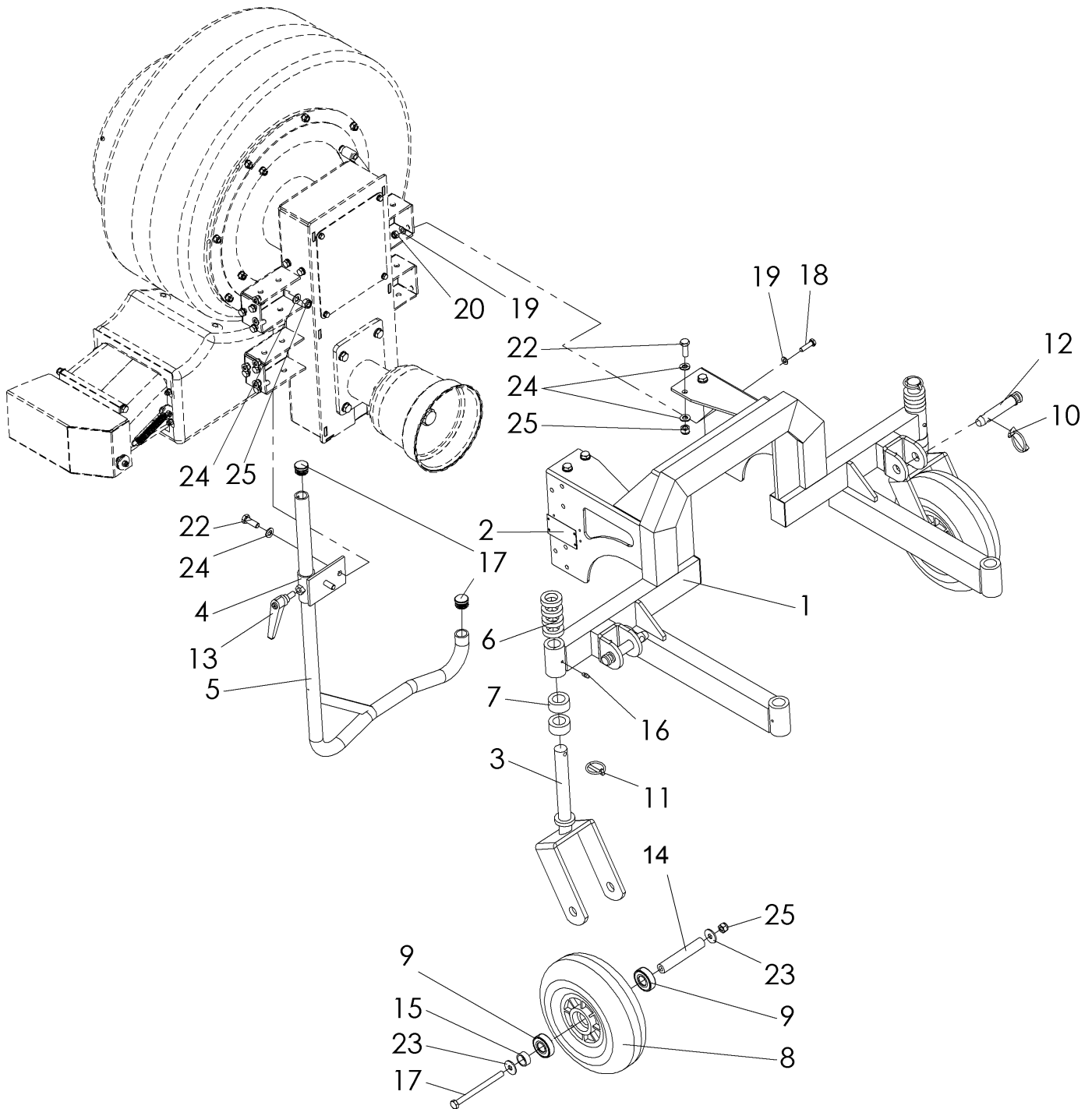
No.	Art.-N.	Num.	designation
1	C01686 R01	1	Mounting frame with two-point mounting
2	C01685 R01	1	Drive train with direct drive for 2,000 rpm.
3	C02873 R00	1	Blower attachment for LBV 3300
4	C01674 R01	1	V-belt housing for direct drive

1.1 Leaf blower LBV 4300 for Kubota lawn mowers

No.	Art.-N.	Num.	designation
1	C01686 R01	1	Mounting frame with two-point mounting
2	C01685 R01	1	Drive train with direct drive for 2,000 rpm.
3	C01672 R00	1	Blower attachment for LBV 4300
4	C01674 R01	1	V-belt housing for direct drive

2 Overview of Modules

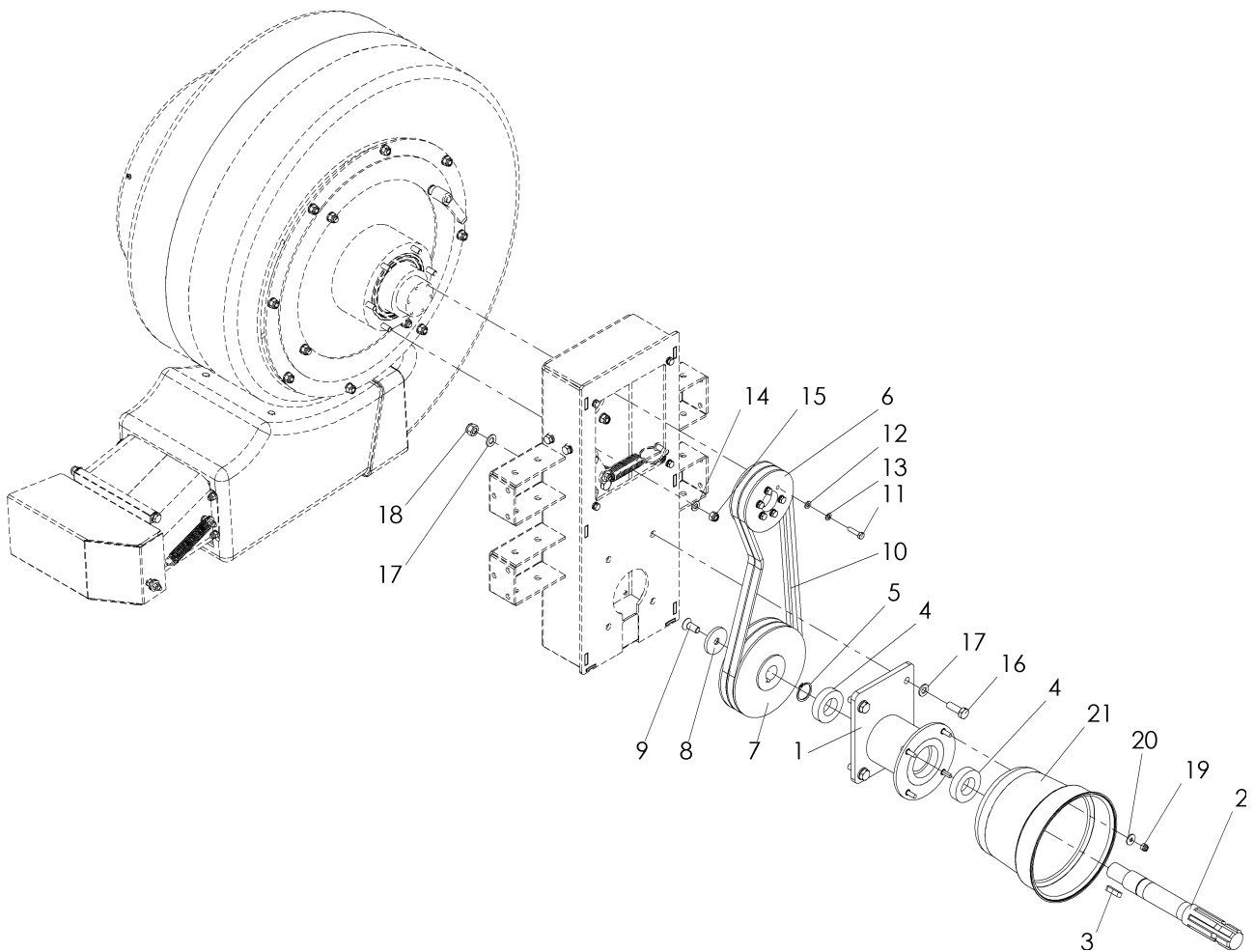
2.1 Mounting frame with two-point mounting - C01686 R01



Parts list - mounting frame with two-point mounting - C01686 R01

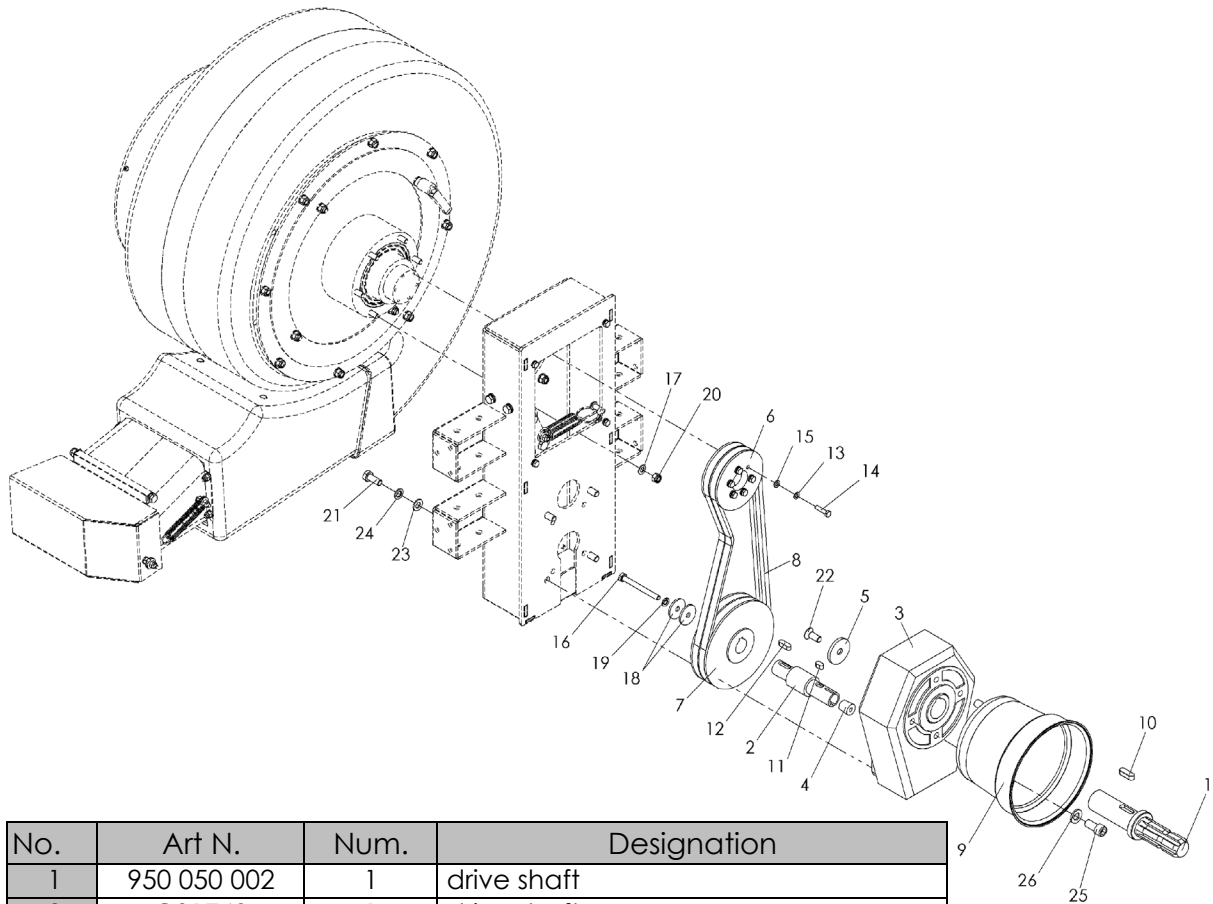
No.	Art. N.	Num.	designation
1	On demand	1	Mounting frame for surface mowers
2	On demand	1	type label
3	950 010 005	2	wheel fork
4	C01641	1	Parking support bracket
5	C01501	1	parking support
6	950 010 006	8	Spacer ring 10 mm
7	713 020 040	4	Spacer ring 20 mm
8	926 154 135	2	wheel
9	924 106 204	4	camp
10	907 111 000	2	linch pin
11	907 106 000	2	linch pin
12	907 400 073	2	Top link pin
13	941 200 106	1	clamping lever
14	705 205 113	2	wheel axle
15	705 273 115	2	spacer
16	910 006 000	2	grease nipple
17	943 225 000	2	protective cap
18	901 008 030	12	Skt. screw without shaft
19	905 108 000	24	Washer
20	900 008 002	12	Stop mother
21	901 110 130	2	Hexagon screw
22	901 010 030	6	Skt. screw without shaft
23	905 210 000	4	K-disc
24	905 110 000	12	Washer
25	900 010 002	8	Stop mother

2.2 Drive train with direct drive for 2,000 rpm clockwise – C01685 R01



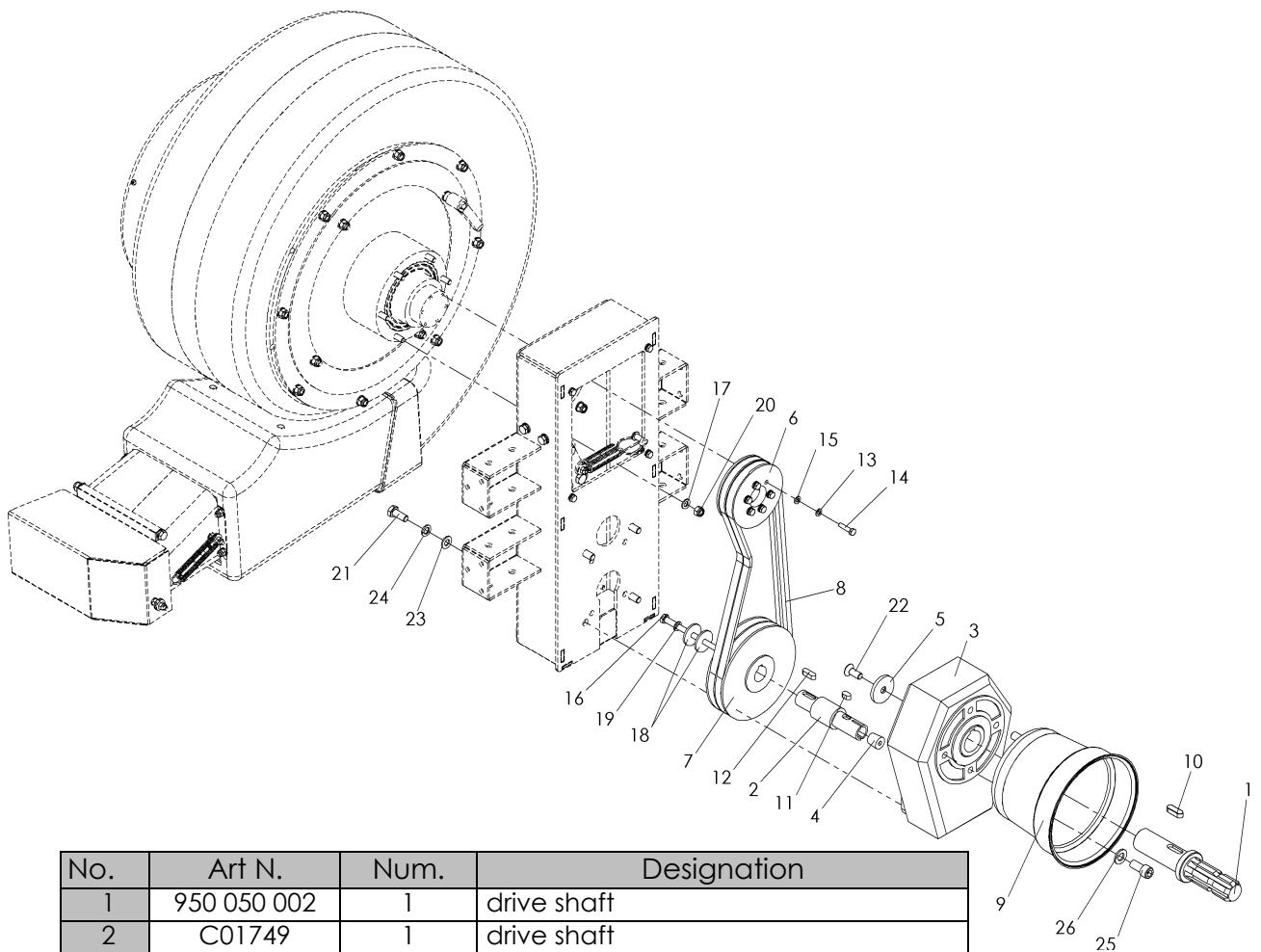
No.	Art N.	Num.	Designation
1	C01678	1	Bearing block for V-belt pulley
2	C01628	1	drive shaft
3	908 008 730	1	Adjusting spring
4	924 106 006	2	camp
5	905 928 000	1	circlip
6	C01626	1	pulley
7	C01627	1	pulley
8	705 451 005	1	cover disc
9	901 210 025	1	Countersunk screw with inner.
10	921 106 842	2	fan belt
11	901 006 025	6	Hexagon screw
12	905 106 000	6	Washer
13	905 006 000	6	spring washer
14	905 108 000	6	Washer
15	900 008 002	6	Stop mother
16	901 010 030	4	Skt. screw without shaft
17	905 110 000	8	Washer
18	900 010 002	4	Stop mother
19	900 006 002	4	Stop mother
20	905 206 018	4	K-disc
21	923 003 002	1	protective pot

2.3 Drivetrain with gearbox for 540 rpm – C01724 R01



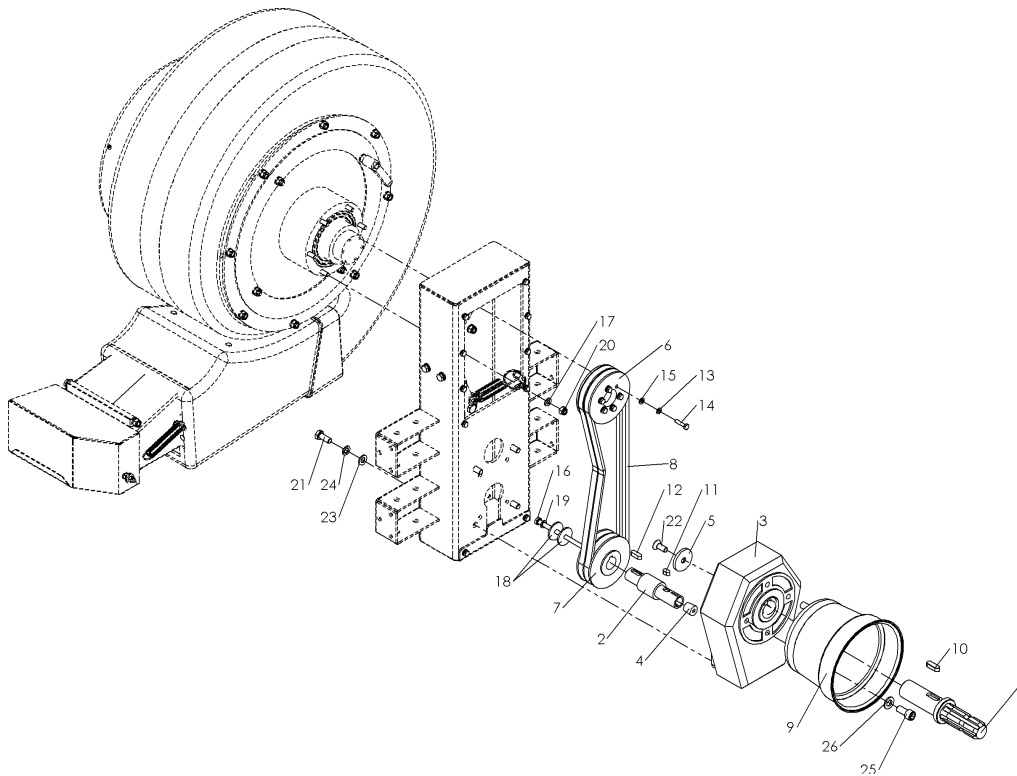
No.	Art N.	Num.	Designation
1	950 050 002	1	drive shaft
2	C01749	1	drive shaft
3	922 209 000	1	transmission
4	040 950 081	1	cone
5	705 451 005	1	cover disc
6	C01626	1	pulley
7	C01627	1	pulley
8	921 106 842	2	fan belt
9	923 003 002	1	protective pot
10	908 010 830	1	Adjusting spring
11	908 108 715	1	Adjusting spring
12	908 008 725	1	Adjusting spring
13	905 006 000	6	spring washer
14	901 006 025	6	Hexagon screw
15	905 106 000	6	Washer
16	901 108 140	1	Hexagon screw
17	905 108 000	6	Washer
18	705 360 803	2	disc
19	905 008 000	1	spring washer
20	900 008 002	6	Stop mother
21	901 010 025	4	Skt. screw without shaft
22	901 210 025	1	Countersunk screw with inner.
23	905 110 000	4	Washer
24	905 010 000	4	spring washer
25	901 812 025	4	Socket head cap screw.
26	905 112 000	4	Washer

2.4 Drivetrain with gearbox for 1,000 rpm– C01752 R01



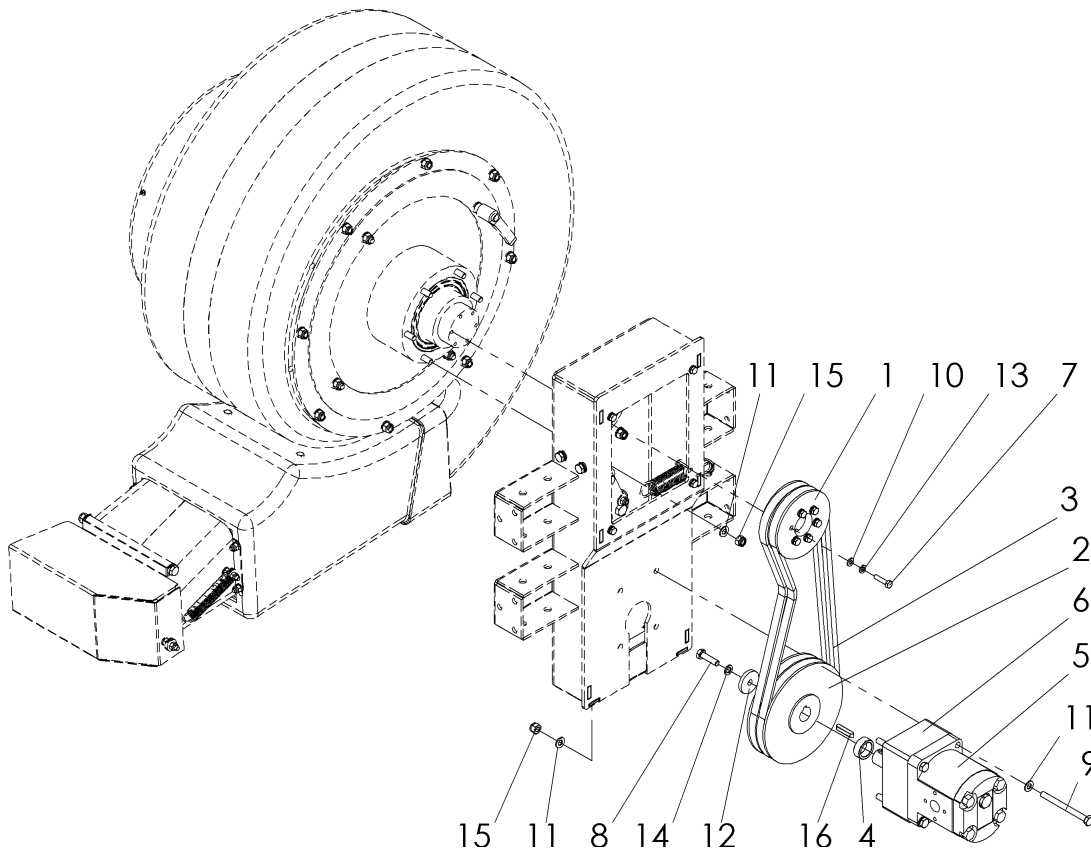
No.	Art N.	Num.	Designation
1	950 050 002	1	drive shaft
2	C01749	1	drive shaft
3	922 209 001	1	transmission
4	040 950 081	1	cone
5	705 451 005	1	cover disc
6	C01626	1	pulley
7	C01627	1	pulley
8	921 106 842	2	fan belt
9	923 003 002	1	protective pot
10	908 010 830	1	Adjusting spring
11	908 108 715	1	Adjusting spring
12	908 008 725	1	Adjusting spring
13	905 006 000	6	spring washer
14	901 006 025	6	Hexagon screw
15	905 106 000	6	Washer
16	901 108 140	1	Hexagon screw
17	905 108 000	6	Washer
18	705 360 803	2	disc
19	905 008 000	1	spring washer
20	900 008 002	6	Stop mother
21	901 010 025	4	Skt. screw without shaft
22	901 210 025	1	Countersunk screw with inner.
23	905 110 000	4	Washer
24	905 010 000	4	spring washer
25	901 812 025	4	Socket head cap screw.
26	905 112 000	4	Washer

2.5 Drivetrain with gearbox for 2.000 rpm – C01753 R01



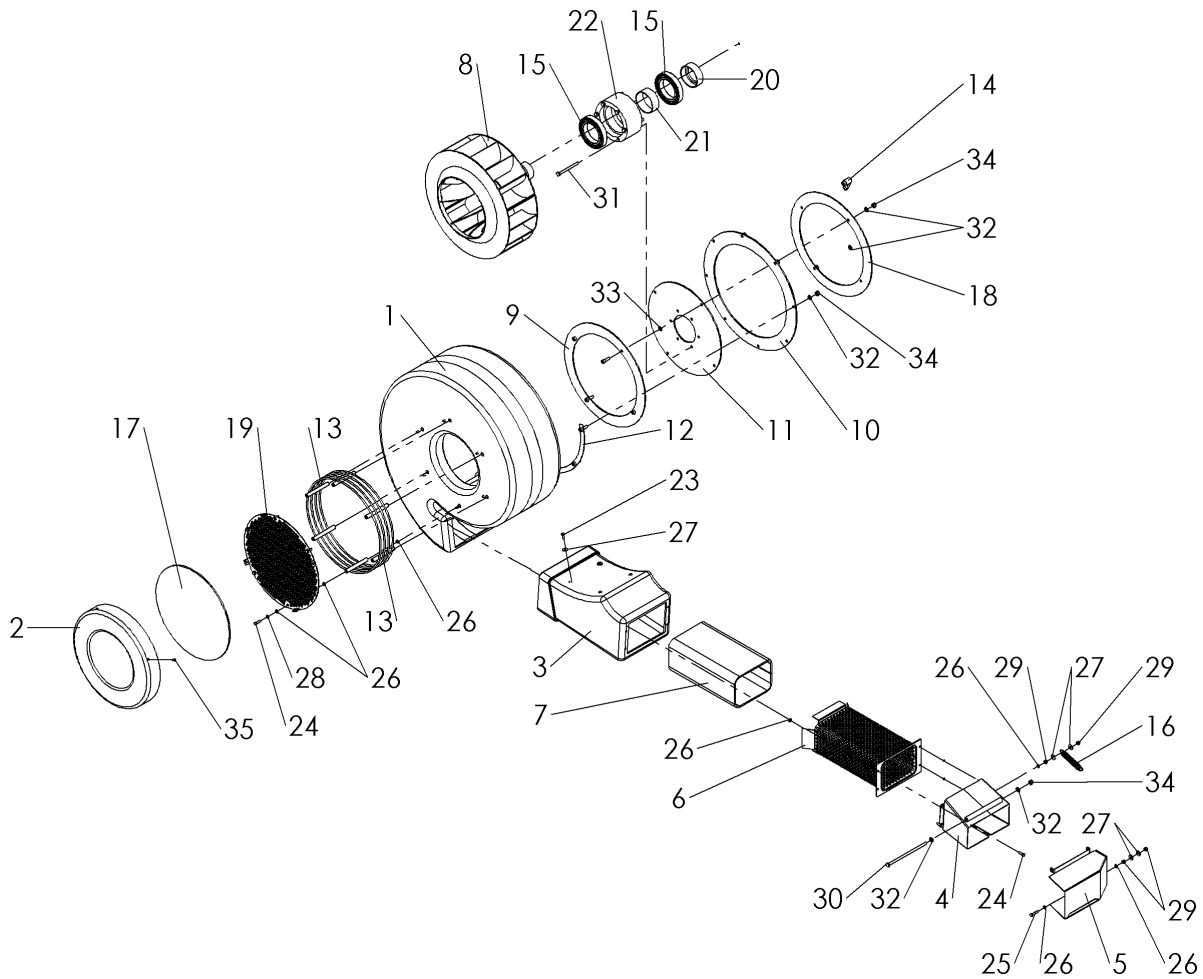
No.	Art N.	Num.	Designation
1	950 050 002	1	drive shaft
2	C01749	1	drive shaft
3	922 209 002	1	transmission
4	040 950 081	1	cone
5	705 451 005	1	cover disc
6	C01626	1	pulley
7	C01754	1	pulley
8	921 106 839	2	fan belt
9	923 003 002	1	protective pot
10	908 010 830	1	Adjusting spring
11	908 108 715	1	Adjusting spring
12	908 008 725	1	Adjusting spring
13	905 006 000	6	spring washer
14	901 006 025	6	Hexagon screw
15	905 106 000	6	Washer
16	901 108 140	1	Hexagon screw
17	905 108 000	6	Washer
18	705 360 803	2	disc
19	905 008 000	1	spring washer
20	900 008 002	6	Stop mother
21	901 010 025	4	Skt. screw without shaft
22	901 210 025	1	Countersunk screw with inner.
23	905 110 000	4	Washer
24	905 010 000	4	spring washer
25	901 812 025	4	Socket head cap screw.
26	905 112 000	4	Washer

2.6 Drivetrain with hydraulic drive – C02688 R01



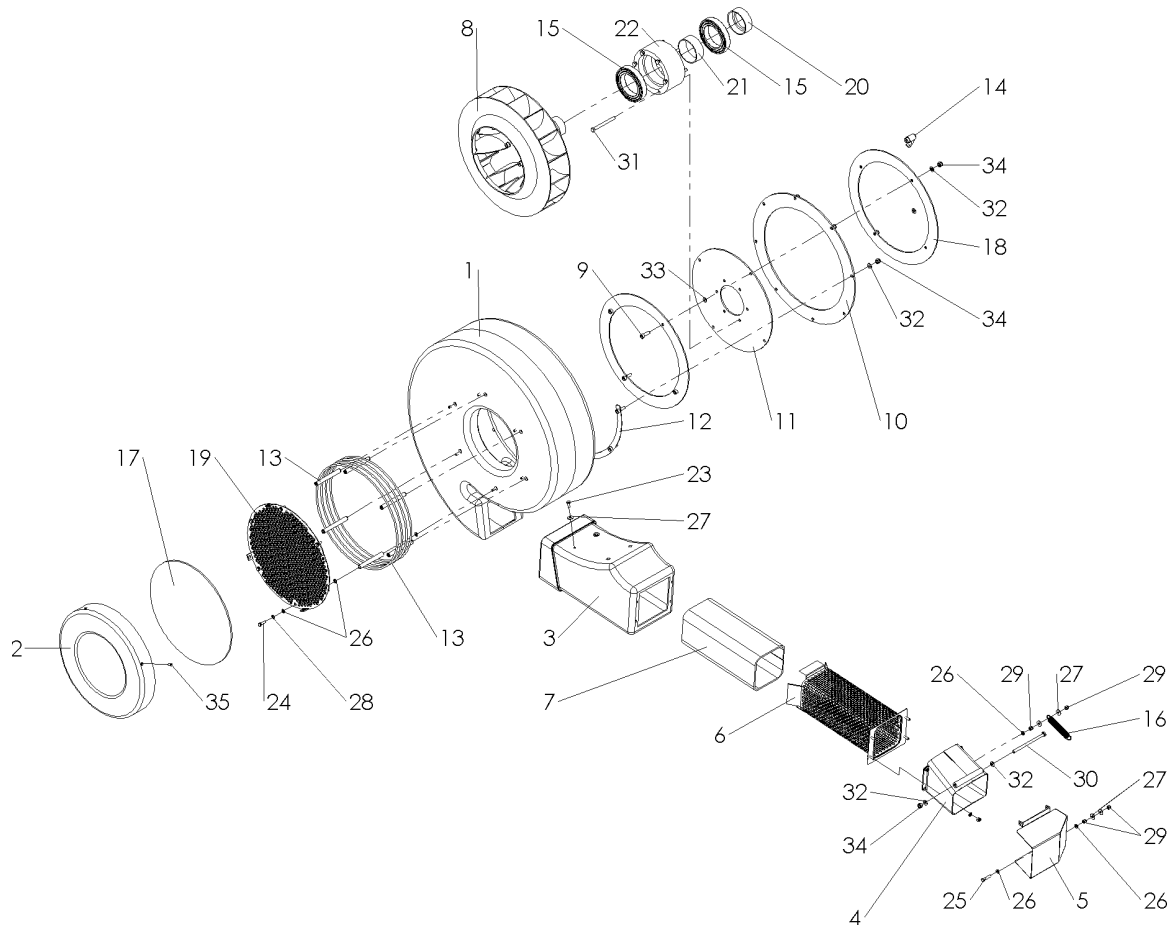
No.	Art N.	Num.	Designation
1	C01626	1	pulley
2	C02689	1	pulley
3	921 106 842	2	fan belt
4	C02717	1	Rifle
5	935 343 190	1	hydraulic motor
6	934 202 222	1	Pulley support
7	901 006 025	6	Skt. screw without shaft
8	901 008 030	1	Skt. screw without shaft
9	901 108 090	4	Hexagon screw
10	905 106 000	6	Washer
11	905 108 000	14	Washer
12	C00014	1	K-disc
13	905 006 000	6	spring washer
14	905 008 000	1	spring washer
15	900 008 002	10	Stop mother
16	908 006 630	1	Adjusting spring

2.7 Blower attachment for LBV 4300 – C01672 R00



No.	Art N.	Num.	designation	No.	Art N.	Num.	designation
1	950 051 615	1	blowing case	18	950 050 500	1	clamping ring
2	950 051 617	1	sound cover	19	950 050 616	1	cover plate
3	950 051 621	1	muffler housing	20	040 950 082	1	collet
4	C01473	1	blow pipe	21	040 950 083	1	collet
5	C01476	1	Folding nozzle	22	040 950 010	1	bearing seat
6	C01673	1	Muffler insert with insulation	23	901 006 016	4	Hexagon screw
7	950 050 622	1	Insulation outlet side	24	901 006 020	12	Hexagon screw
8	040 950 101	1	fan	25	901 006 030	2	Hexagon screw
9	C02358	1	Clamping ring, blow side	26	905 106 000	32	Washer
10	950 050 502	1	Adjustment ring outside	27	905 206 018	8	K-disc
11	950 050 501	1	Adjustment ring inside	28	905 006 000	12	spring washer
12	950 050 624	2	fixing segment	29	900 006 002	8	Stop mother
13	C01469	1	spacer	30	901 008 180	1	Hexagon screw
14	941 200 100	1	clamping lever	31	901 108 090	6	Hexagon screw
15	924 106 015	2	camp	32	905 108 000	14	Washer
16	909 200 021	1	mainspring	33	905 408 000	4	spring washer
17	950 050 623	1	Insulation in the front	34	900 008 002	12	Stop mother
				35	904 048 016	4	tapping screw

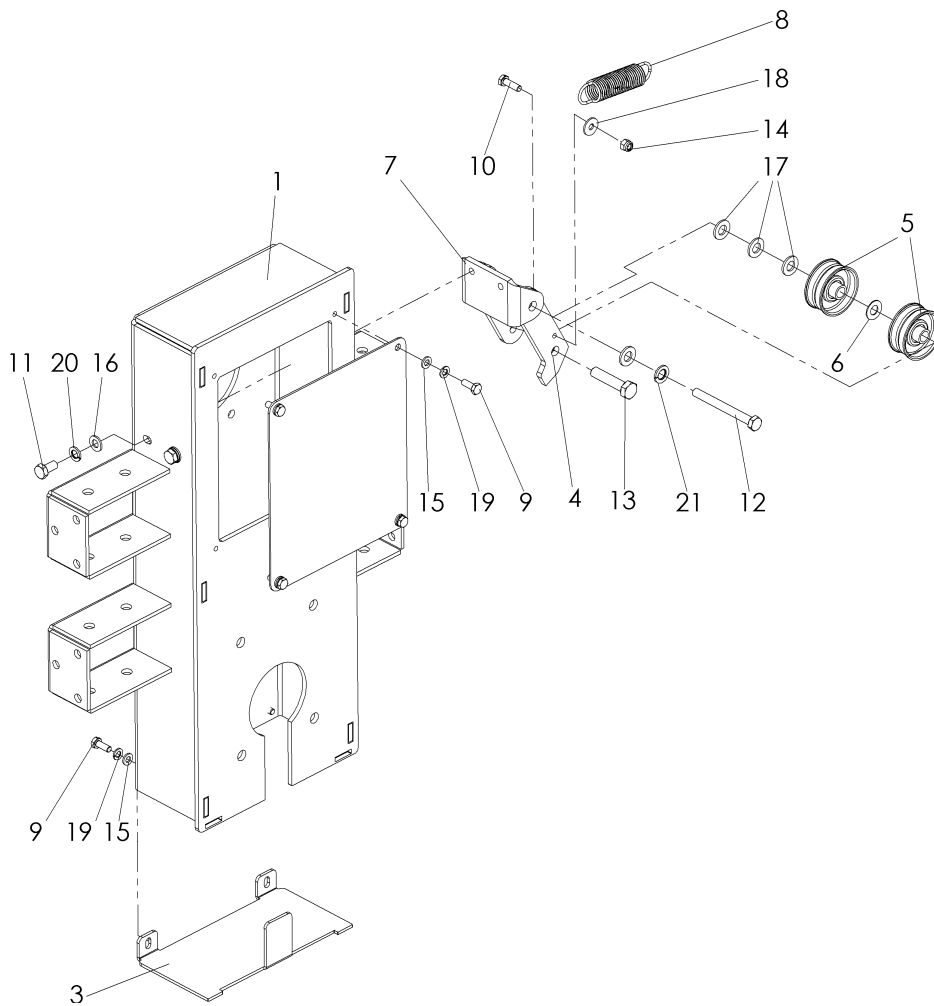
2.8 Blower attachment for LBV 3300 – C02873 R00



No.	Art N.	Num.	designation
1	950 051 614	1	blowing case
2	950 051 617	1	Sound cover red
3	950 051 620	1	muffer housing
4	950 050 626	1	blow pipe
5	950 050 627	1	Folding nozzle
6	950 050 619	1	Muffer insert with insulation
7	950 050 622	1	Insulation outlet side
8	040 950 001	1	fan
9	C02358	1	Clamping ring, blow side
10	C02356	1	Adjustment ring outside
11	C02355	1	Adjustment ring inside
12	950 050 624	2	fixing segment
13	C01469	1	spacer
14	941 200 100	1	clamping lever
15	924 106 015	2	camp
16	909 200 021	1	mainspring
17	950 050 623	1	Insulation in the front

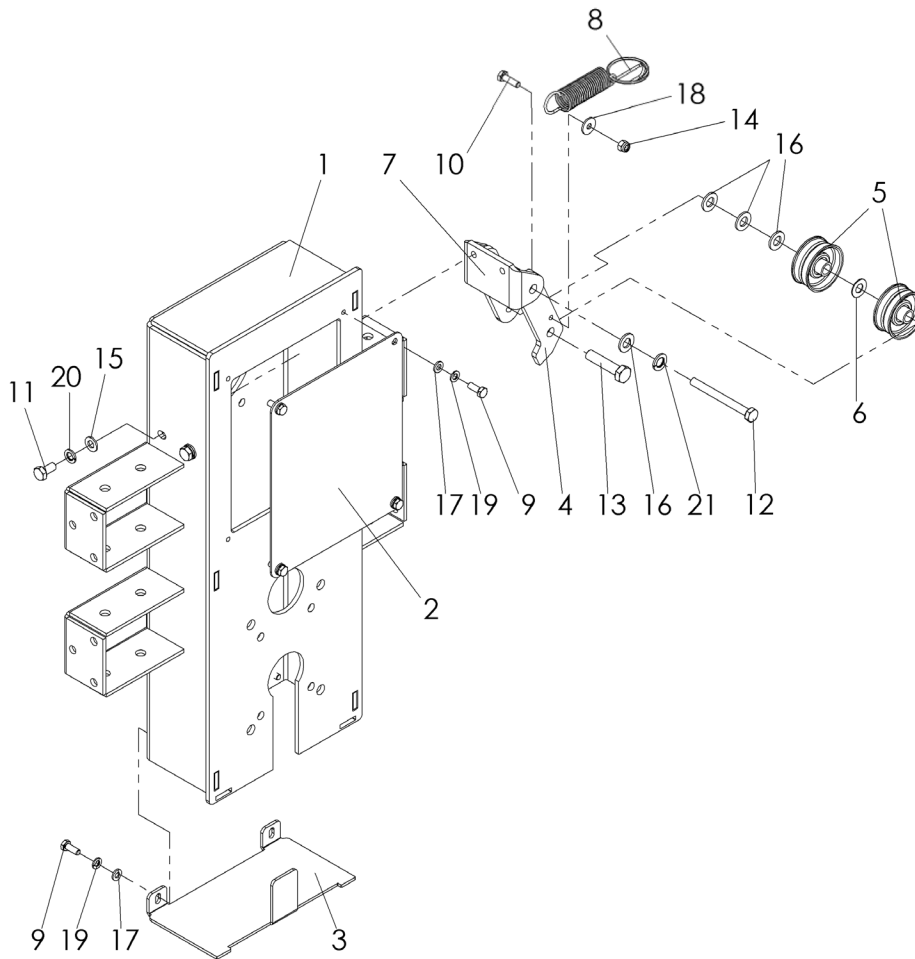
No.	Art N.	Num.	designation
18	C02354	1	clamping ring
19	950 050 616	1	cover plate
20	040 950 082	1	collet
21	040 950 083	1	collet
22	040 950 010	1	bearing seat
23	901 006 016	4	Hexagon screw
24	901 006 020	12	Hexagon screw
25	901 006 030	2	Hexagon screw
26	905 106 000	32	Washer
27	905 206 018	8	K-disc
28	905 006 000	12	spring washer
29	900 006 002	8	Stop mother
30	901 008 130	1	Hexagon screw
31	901 108 090	6	Hexagon screw
32	905 108 000	14	Washer
33	905 408 000	4	spring washer
34	900 008 002	12	Stop mother
35	904 048 016	4	tapping screw

2.9 V-belt housing for direct drive - C01674 R01



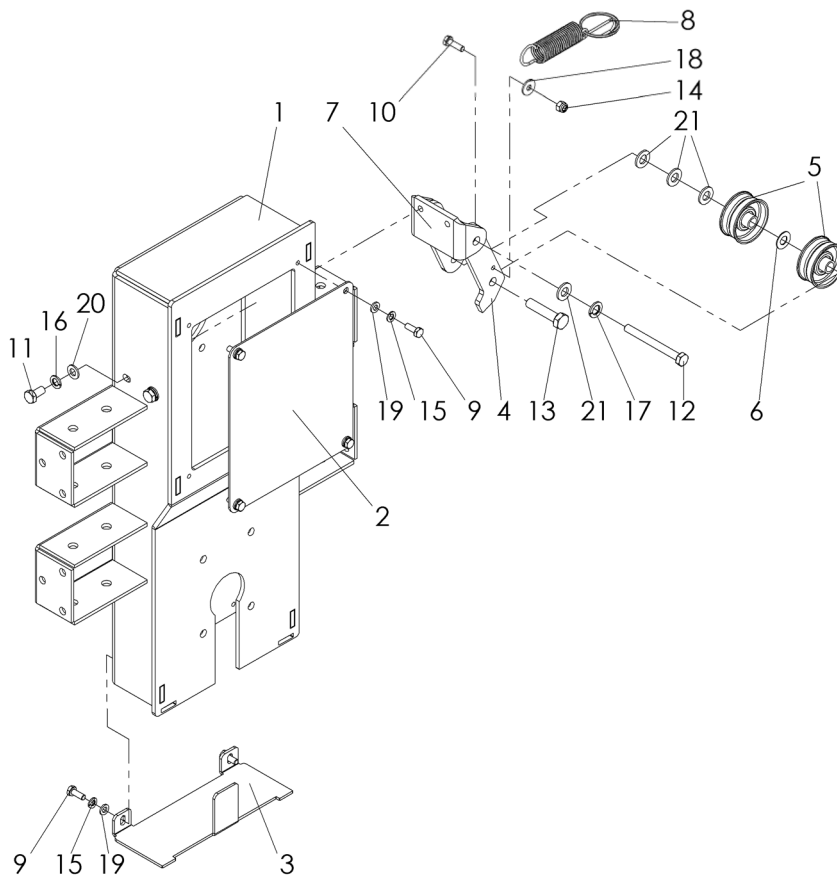
No.	Art N.	Num.	designation
1	C03437	1	V-belt housing
2	C02798	1	cover
3	C02799	1	Cover plate below
4	700 100 042	1	Tensioner holder
5	921 313 718	2	idler
6	906 210 201	1	shim
7	C01624	1	Mounting plate tensioner roller holder
8	909 200 155	1	mainspring
9	901 006 016	6	Skt. screw without shaft
10	901 006 020	1	Skt. screw without shaft
11	901 008 016	2	Skt. screw without shaft
12	901 108 080	1	Skt. screw with shaft
13	902 738 212	1	inch screw
14	900 006 002	1	Stop mother
15	905 106 000	6	Washer
16	905 108 000	2	Washer
17	905 110 000	5	Washer
18	905 206 025	1	K-disc
19	905 006 000	6	spring washer
20	905 008 000	2	spring washer
21	905 010 000	1	spring washer

2.10 V-belt housing for direct drive - C01725 R01



No.	Art N.	Num.	designation
1	C03438	1	V-belt housing
2	C02798	1	cover
3	C02799	1	Cover plate below
4	700 100 042	1	Tensioner holder
5	921 313 718	2	idler
6	906 210 201	1	shim
7	C01624	1	Mounting plate tensioner roller holder
8	909 261 818	1	Tension spring with ring
9	901 006 016	6	Skt. screw without shaft
10	901 006 020	1	Skt. screw without shaft
11	901 008 016	2	Skt. screw without shaft
12	901 108 080	1	Skt. Screw with shaft
13	902 738 212	1	inch screw
14	900 006 002	1	Stop mother
15	905 108 000	2	Washer
16	905 110 000	5	Washer
17	905 106 000	6	Washer
18	905 206 025	1	K-disc
19	905 006 000	6	spring washer
20	905 008 000	2	spring washer
21	905 010 000	1	spring washer

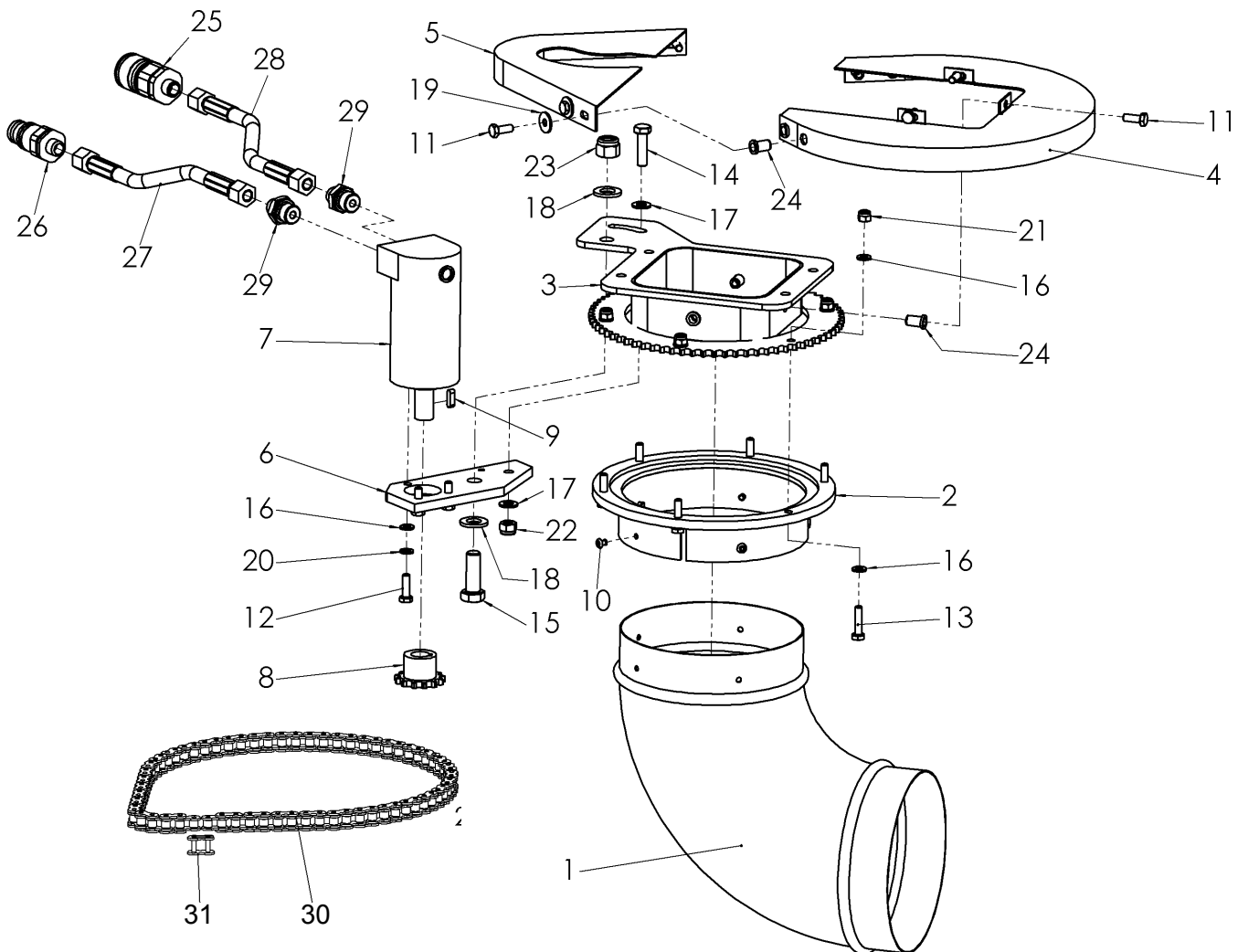
2.11 V-belt housing for hydraulic drive - C02687 R01



No.	Art N.	Num.	designation
1	C03254	1	V-belt case
2	C02798	1	cover
3	C03268	1	Cover plate below
4	700 100 042	1	Tensioner holder
5	921 313 718	2	idler
6	906 210 201	1	shim
7	C01624	1	Mounting plate tensioner roller holder
8	909 261 818	1	Tension spring with ring
9	901 006 016	6	Skt. screw without shaft
10	901 006 020	1	Skt. screw without shaft
11	901 008 016	2	Skt. screw without shaft
12	901 108 080	1	Skt. Screw with shaft
13	902 738 212	1	inch screw
14	900 006 002	1	Stop mother
15	905 006 000	6	spring washer
16	905 008 000	2	spring washer
17	905 010 000	1	spring washer
18	905 206 025	1	K-disc
19	905 106 000	6	Washer
20	905 108 000	2	Washer
21	905 110 000	5	Washer

3 Accessories

3.1 Hydraulically adjustable discharge funnel C02054 R00



Parts list - Hydraulically adjustable discharge funnel C02054 R00

No.	Art N.	Num.	designation
1	672 160 090	1	Elbows
2	950 050 698	1	Blower nozzle holder
3	950 050 701	1	slewing ring
4	950 050 710	1	Chain guard part 1
5	950 050 711	1	Chain guard part 2
6	950 050 702	1	Motor holder
7	935 111 040	1	Hydraulic motor with side connection
8	920 404 013	1	Sprocket
9	908 005 516	1	Adjusting spring
10	908 040 100	5	blind rivets
11	901 006 016	7	Skt. screw without shaft
12	901 006 020	3	Skt. screw without shaft
13	901 006 025	6	Skt. screw without shaft
14	901 008 030	1	Skt. screw without shaft
15	901 012 035	1	Skt. screw without shaft
16	905 106 000	15	Washer
17	905 108 000	2	Washer
18	905 112 000	2	Washer
19	905 206 018	4	K-disc
20	905 006 000	3	spring washer
21	900 006 002	6	Stop mother
22	900 008 002	1	Stop mother
23	900 012 002	1	Stop mother
24	900 008 006	7	Feeding mother
25	on demand	1	Bulkhead sleeve, non-drip
26	on demand	1	Hydraulic connector, drip-free
27	on demand	1	Hydraulic hose (depending on tractor)
28	on demand	1	Hydraulic hose (depending on tractor)
29	931 070 838	2	Hydraulic screw connection
30	920 104 725	1	drive chain
31	920 205 000	1	chain lock

Kersten

SITE MAINTENANCE EQUIPMENT

Distributed in UK by
Kersten (UK) Ltd Tel. 0118 986 9253

Progress House
39 Boulton Road Reading, RG2 0NH
www.kerstenuk.com - info@kerstenuk.com