



# Parts Breakdown Instructions

## Crossfire Spreader 64740, 66263, 64742 and 66264

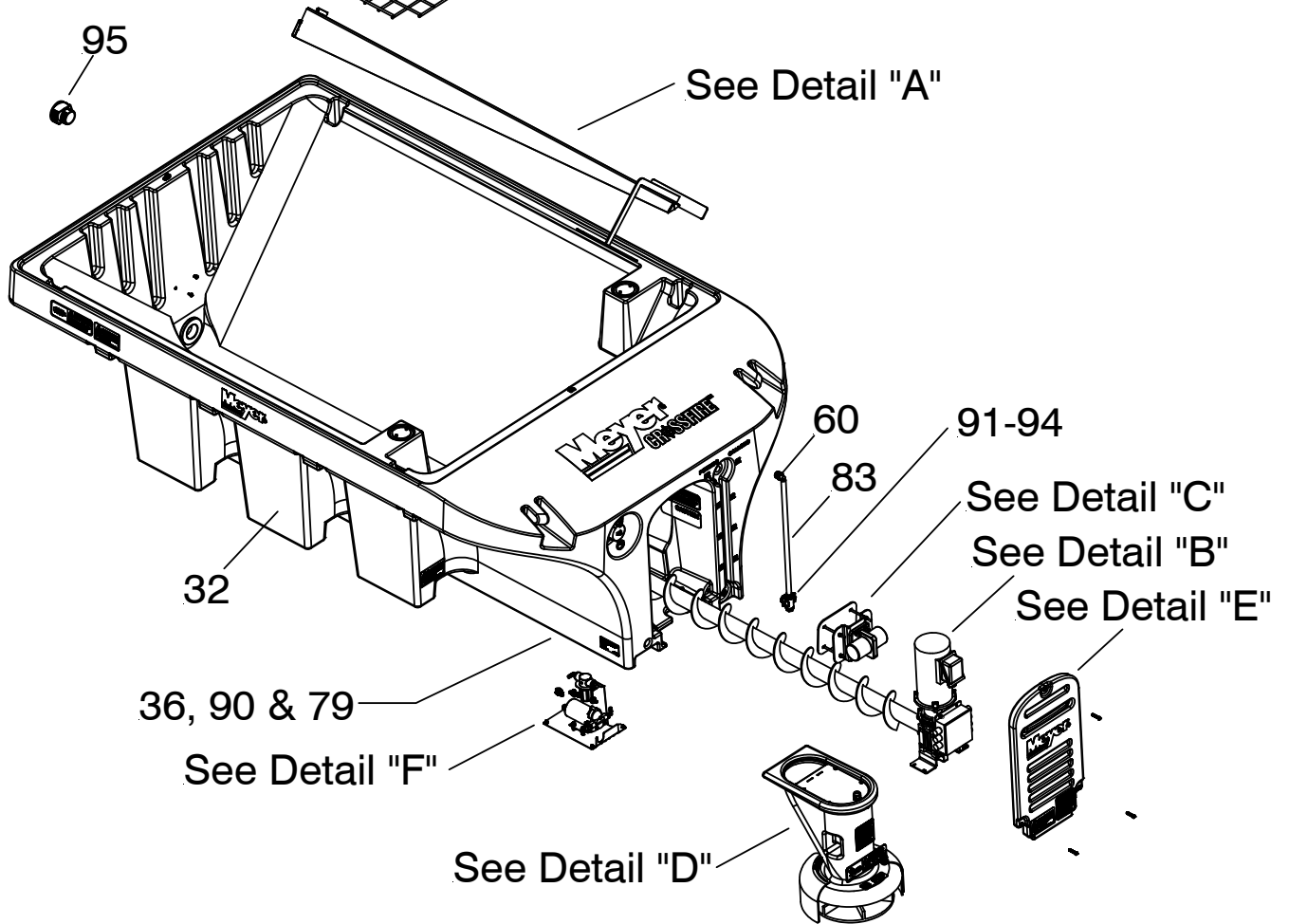
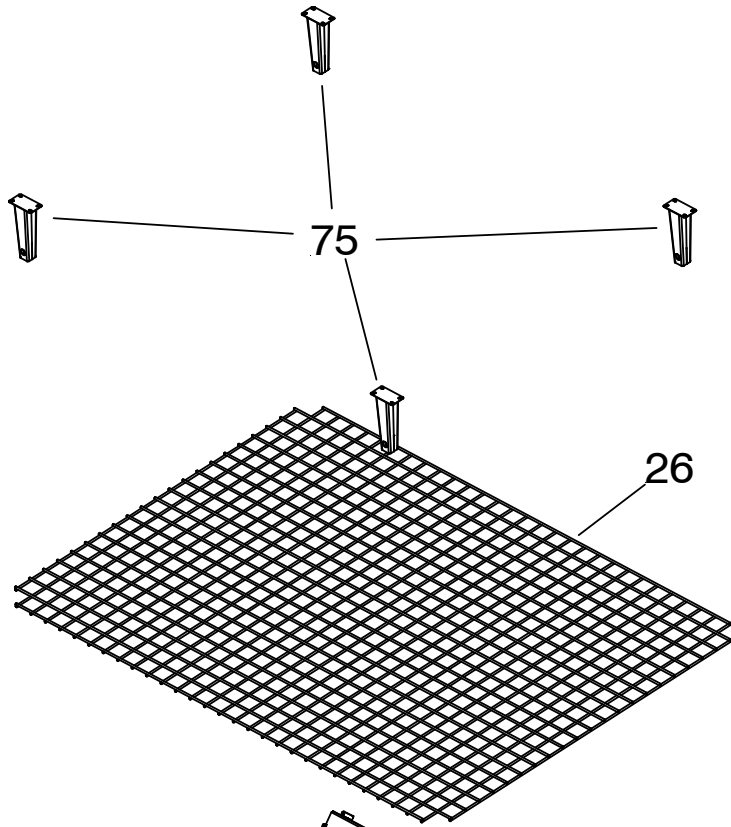
PARTS LIST

Item	Part No. 64740	Part No. 66263	Part No. 64742	Part No. 66264	Qty.	Description Crossfire Spreader
1	20307	20307	20307	20307	1	Locknut 1/2-13
2	22230	22230	22230	22230	5	Flatwasher 3/8" SS
3	61579	61579	61579	61579	1	Plastic Auger Insert
4	62146	62146	62146	62146	1	Spinner Disc 13"
5	62160	62160	62160	62160	1	Bushing Strain Relief
6	62189	62189	62189	62189	7	Bolt H 1/4-20 x 3/4" SS
7	62638	62638	62638	62638	5	Locknut 3/8-16 SS
8	62695	62695	62695	62695	4	Bolt H 3/8-16 x 1-1/4"
9	62697	62697	62697	62697	1	Bolt H 3/8-16 x 1" SS
10	62751	62751	62751	62751	4	Bolt H 5/16-18 x 1" SS
11	62797	62797	62797	62797	2	Dielectric Grease
12	62810	62810	62810	62810	8	Lockwasher 1/4" SS
13	63198	63198	63198	63198	1	Bolt H 3/8-16 x 2-1/2" SS
14	63206	63206	63206	63206	4	Lockwasher 3/8" SS
15	63245	63245	63245	63245	2	Clamp 3/8" SS
16	63257	63257	63257	63257	1	Flatwasher 1/2" SS
17	63301	63301	63301	63301	4	Locknut 5/16-18
18	-----	63662	-----	63662	1	Elbow 3/4" NPT x 1/2" Barb
19	-----	63673	-----	63673	1	Coupler 1-1/2" Quick male
20	64015	64015	64015	64015	1	Auger Motor
21	64983	66261	64983	66261	1	Vehicle Spreader Harness
22	14258	14258	14258	14258	1	Right Angle Spinner Motor
23	64482	-----	64482	-----	1	Motor Harness
24	64484	64484	64484	64484	2	Bolt H 1/4-20 x 1/2" SS
25	-----	64744	-----	64745	1	Crossfire Tarp Kit
26	64746	64746	64747	64747	1	Top Screen
27	64748	64748	64749	64749	1	Auger
28	64750	64750	64750	64750	1	Motor Cover
29	64752	64752	64752	64752	1	Gear Box
30	64755	64755	64755	64755	1	Standard Spinner Chute
31	64840	64840	64840	64840	1	Long Spinner Chute
32	64770	64770	64771	64771	1	Hopper
33	15202	15197	15202	15197	1	Controller
34	64781	64781	64781	64781	1	Vibrator
35	64797	64797	64798	64798	1	Inverted V
36	-----	64803	-----	64803	2	Short Fill Strip
37	64819	64819	64819	64819	1	Vibrator Bracket
38	64820	64820	64820	64820	4	Bolt C 1/4-20 x 4-1/2" SS
39	64821	64821	64821	64821	1	Vibrator Plate
40	64822	64822	64822	64822	8	Locknut 1/4-20 SS
41	64823	64823	64823	64823	4	Bolt C 3/8-16 x 1-1/2" S
42	64826	64826	64826	64826	1	Gearbox Bracket
43	64827	64827	64827	64827	1	Key
44	64828	64828	64828	64828	1	Shaft Stub
45	64829	64829	64829	64829	1	Bolt H 1/2-13 x 3" Gr. 8
46	64904	64904	64904	64904	1	Truck side Light Harness
47	64834	64834	64834	64834	14	Screw 1/4 -20 x 1/2"
48	64835	64835	64835	64835	1	Spinner Poly Bearing
49	64836CF	64836CF	64836CF	64836CF	1	Standard Spinner Shaft
50	64872	64872	64872	64872	1	Long Spinner Shaft

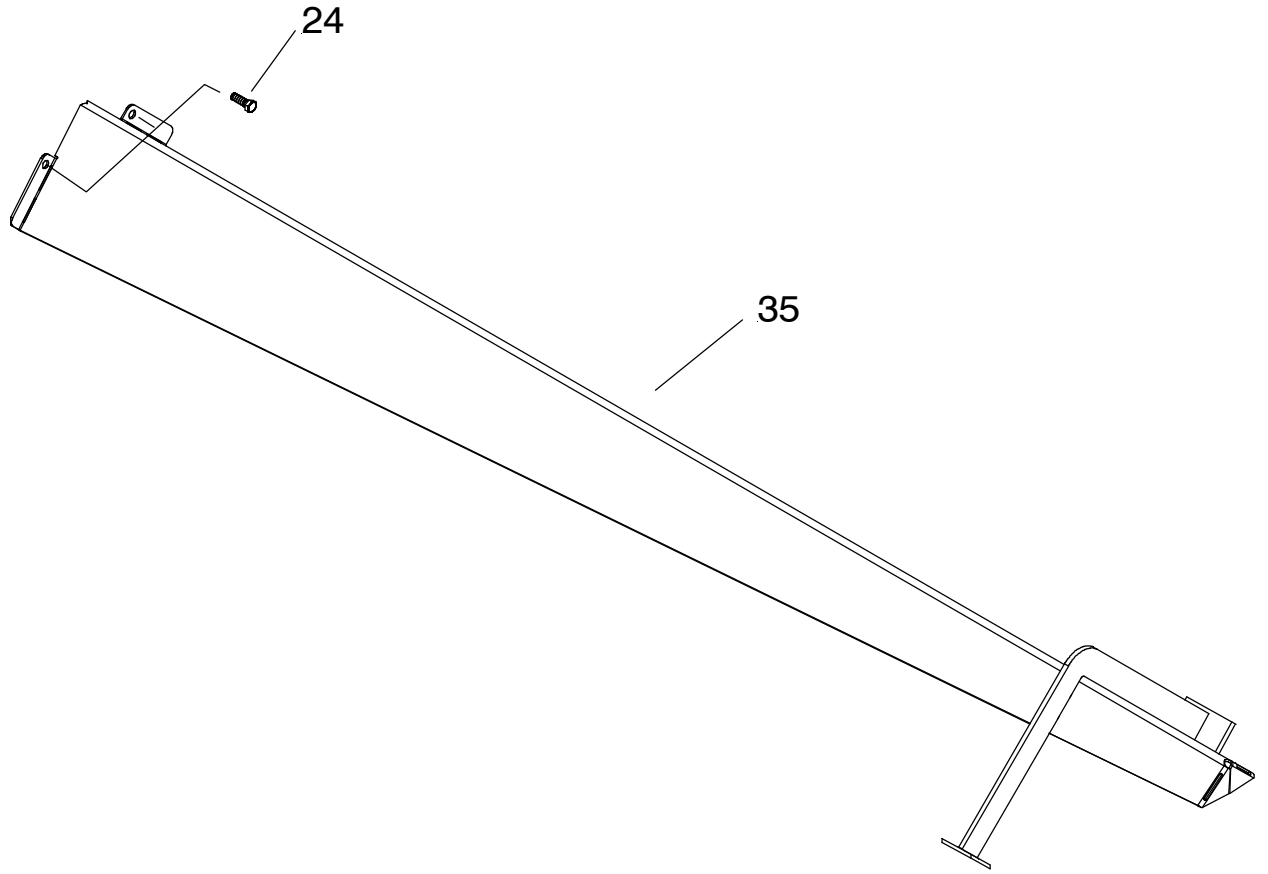


Item	Part No. 64740	Part No. 66263	Part No. 64742	Part No. 66265	Qty.	Description Crossfire Spreader
51	64837	64837	64837	64837	1	Roll Pin 3/16" x 1"
52	64841	64841	64841	64841	4	Bolt H 1/4-20 x 1-1/4"
53	22724	22724	22724	22724	8	Flatwasher 1/4" SS
54	64843	64843	64843	64843	12	Flatwasher 1/4" Fender
55	64844	64844	64844	64844	2	Spinner Baffle
56	64845	64845	64845	64845	4	Wingnut 1/4-20
57	14189	14189	14189	14189	1	Spinner Bracket
58	64850	64850	64850	64850	4	Screw 18-8 x 1" SS
59	-----	64852	-----	64852	1	Pump Bracket
60	-----	64853	-----	64853	3	Elbow 1/2" NPT x 3/8" Barb
61	-----	64854	-----	64854	1	Pump
62	-----	64855	-----	64855	1	Inline Strainer
63	-----	64856	-----	64856	3	Elbow 3/8" NPT x 3/8" Barb
64	-----	64857	-----	64857	1	Check Valve 3/8"
65	-----	64859	-----	64859	3	Female Coupling half 3/8"
66	-----	64860	-----	64860	3	Male Coupling half 3/8"
67	-----	64861	-----	64861	1	Rubber Orifice
68	-----	64862	-----	64862	1	Nozzle Nut
69	-----	64865	-----	64865	1	Tube 3/8" x 5" long
70	64867	64867	64867	64867	1	Brake Light
71	64868	64868	64868	64868	2	Screw 10-32 x 1" SS
72	64869	64869	64869	64869	2	Locknut 10-32 SS
73	64870	64870	64870	64870	7	Pan Head Screw 1/4-20 x 1-1/2"
74	64871	64871	64871	64871	3	Push Nut 1/4"
75	64875	64875	64875	64875	4	Top Screen Stake
76	-----	64881	-----	64881	1	Quick Coupler Cap 1-1/2"
77	-----	64882	-----	64882	1	Coupler Female 1-1/2"
78	-----	64883	-----	64883	1	Clear PVC Tube 3/4" ID
79	64898	64898	64898	64898	1	Work Light
80	-----	64931	-----	64931	1	Tube 3/8" x 2-1/4" long
81	-----	64932	-----	64932	1	Tube 3/8" x 7-1/2" long
82	-----	64933	-----	64933	1	Tube 3/8" x 4" long
83	-----	64934	-----	64934	1	Tube 3/8" x 38-1/4" long
84	-----	64935	-----	64935	1	Tube 3/8" x 7" long
85	64900	-----	64900	-----	1	Lower Cover
86	64989	66262	64989	66262	1	Spreader side Harness
87	64902	-----	64902	-----	2	Connector Butt Reducer 12 to 16
88	64901	64901	64901	64901	1	Spreader Side Light Harness
89	-----	64603	-----	64603	1	Plug 1/2"
90	64993	64993	64993	64993	4	Retaining Strap
91	-----	64996	-----	64996	1	Microvalve 1/2" 2-way
92	-----	64998	-----	64998	1	Fittg 1/2" NPT x 1/2" Barb
93	-----	14163	-----	14163	1	1/2" x 3/4" Reducing Bushing
94	-----	14164	-----	14164	1	Pipe Nipple 1/2" Short
95	-----	66259	-----	66259	1	Vent
96	64962	64962	64962	64962	1	Battery Power Harness
97	14162	-----	14162	-----	1	Plug 2" NPT
98	14190	-----	14190	-----	1	Plug 1/2" NPT
99	14191	-----	14191	-----	2	Plug 3/4" NPT
100	14192	-----	14192	-----	1	Plug 1-1/2" NPT

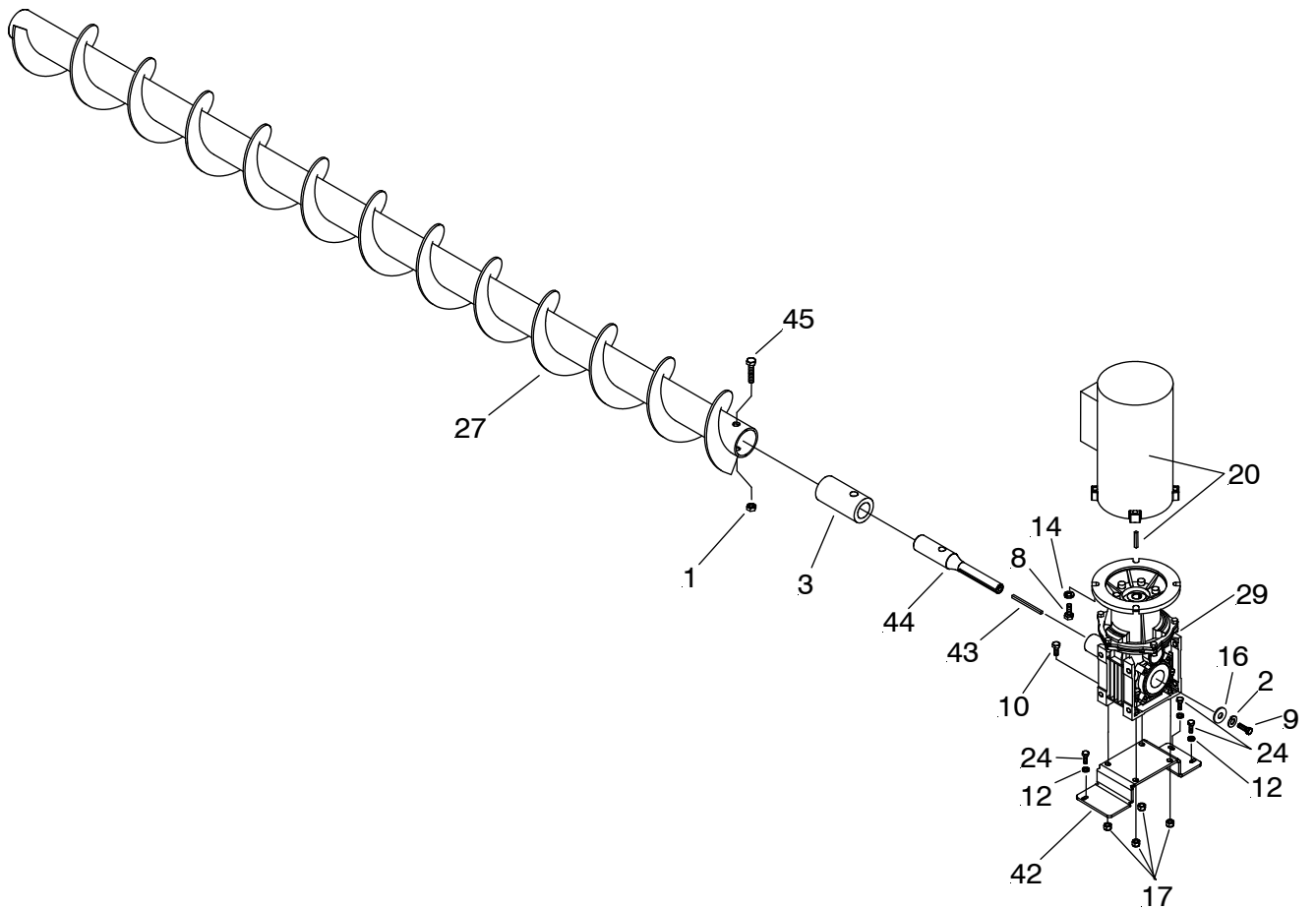
Meyer Products reserves the right, under its continuing product improvement program, to change construction or design details, specifications and prices without notice or without incurring any obligation.



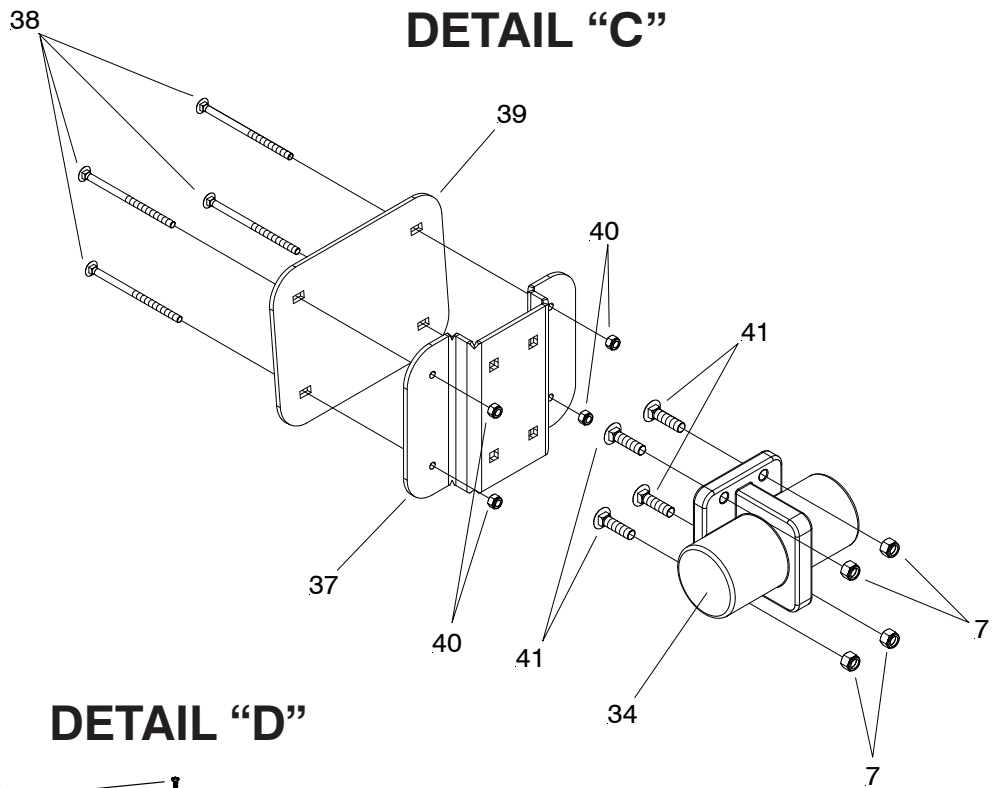
# DETAIL "A"



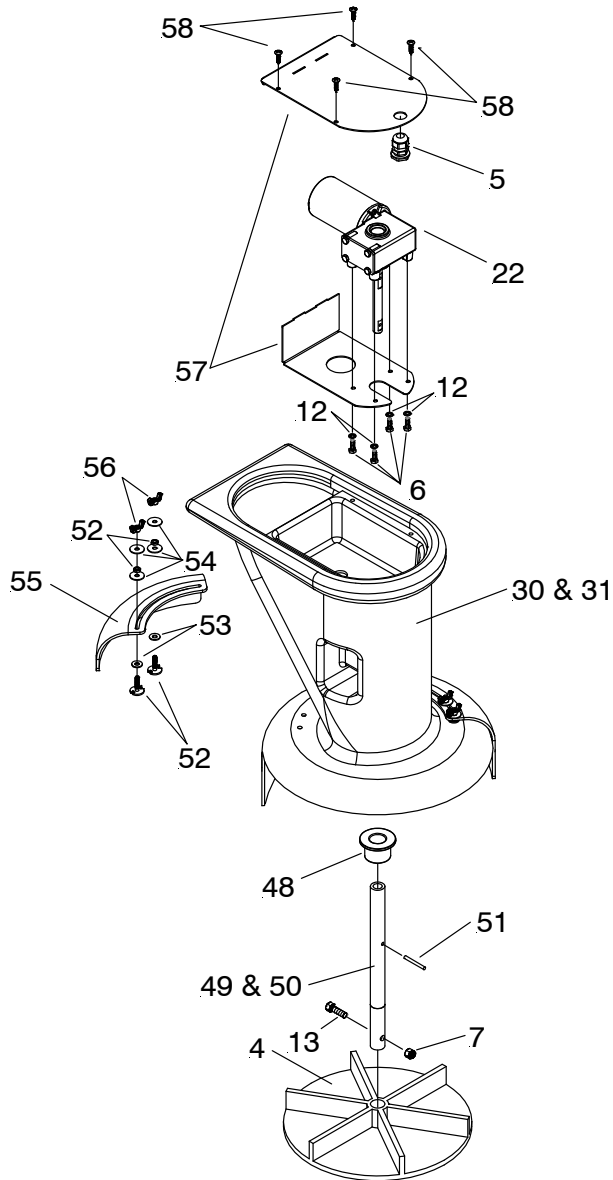
# DETAIL "B"



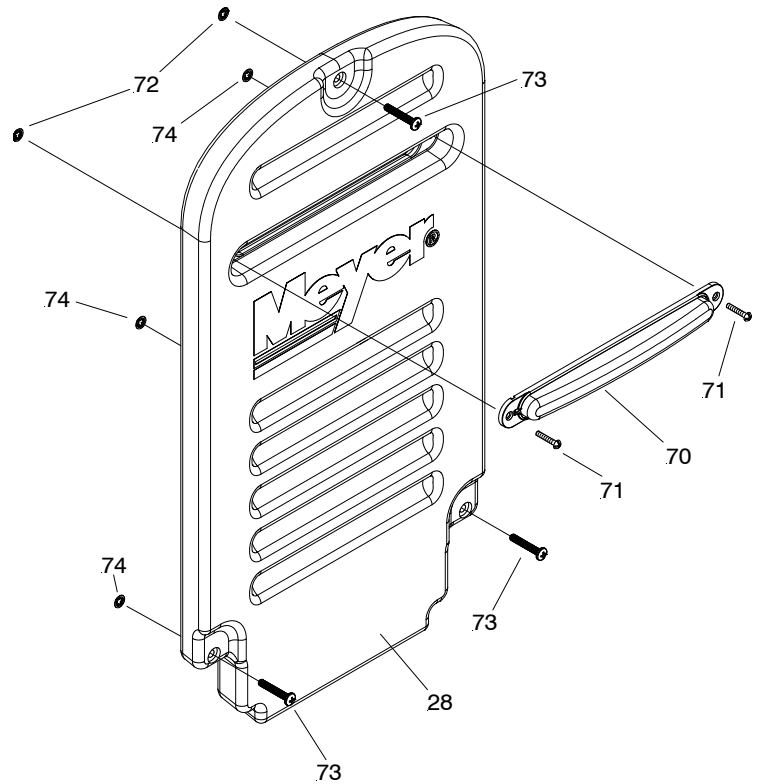
### DETAIL "C"



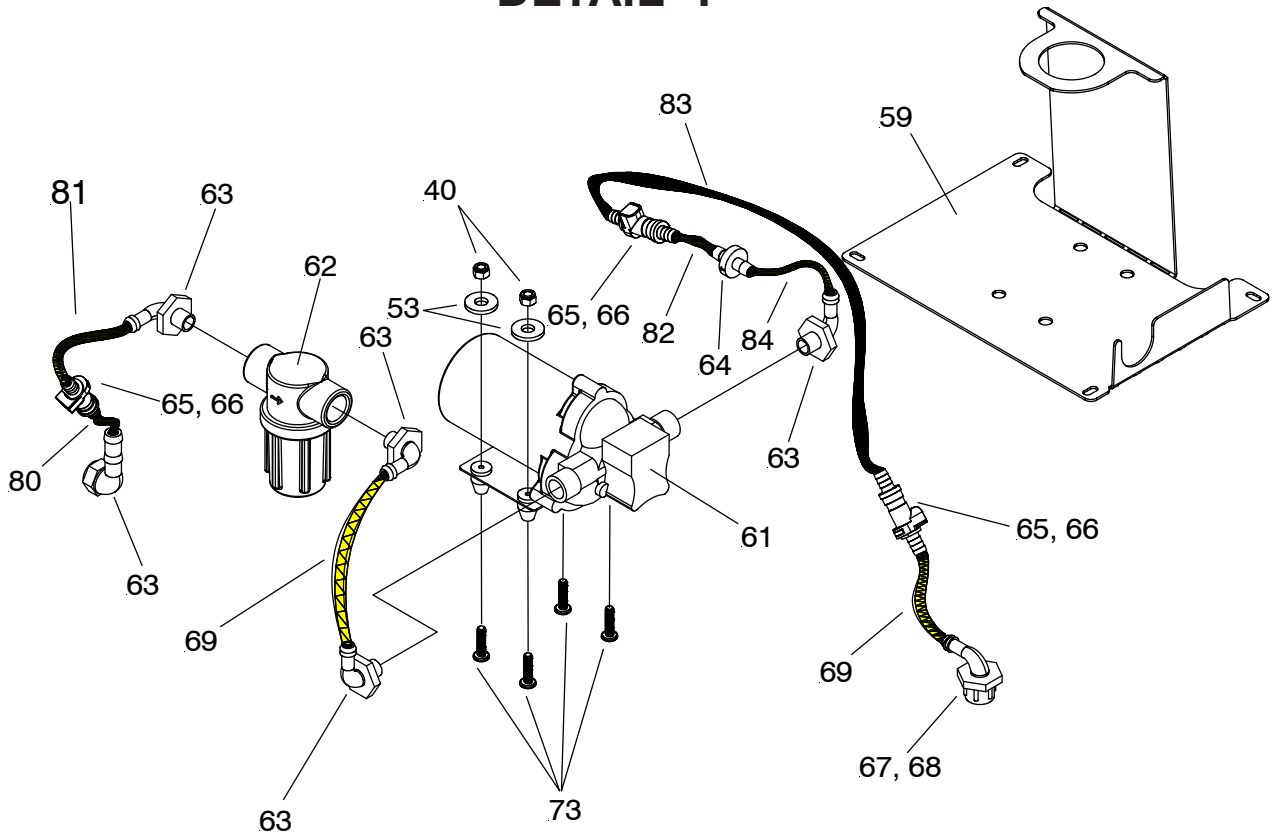
### DETAIL "D"



### DETAIL "E"



# DETAIL "F"



## STANDARD SPREADER HARNESSES & CONTROLLER



**64962 Battery Harness**



**64983 Spreader Harness  
Vehicle Side**



**64989 Spreader Harness  
Spreader Side**



**64482 Spinner Motor Harness**



**64901 Spreader  
Side Light Harness**



**64904 Vehicle Side  
Light Harness**



**15202 Standard Controller**

# STANDARD PLUS SPREADER HARNESSES & CONTROLLER



64962 Battery Harness



66261 Spreader Harness  
Vehicle Side



66262 Spreader Harness  
Spreader Side



64482 Spinner Motor Harness



64901 Spreader  
Side Light Harness



64904 Vehicle Side  
Light Harness



15197 Standard Controller